

# AMIAD Water Systems

Spare Parts List  
Amiad Manual & Semi-Automatic  
Plastic Filters  
**August 2019**



[Irrigationglobal.com](http://Irrigationglobal.com)

Spare Parts for Plastic and Metal Screen Filters Amiad  
Manual, Automatic and Semi Automatic - Click for Orders and Support

## **AMIAD Water Systems**

### Spare Parts List

### Amiad Manual & Semi-Automatic

### Plastic Filters

The parts contained in this publication are applicable from March 2018 and are subject to constant review. Amiad Water Systems Ltd. ("Amiad") reserves the right to change product's and services' at any time without further notice.

This list is provided for information purposes only. No person should act on the basis of any information contained in this publication without consulting with Amiad's representative. Amiad will not be held responsible for loss or damage caused by errors, omissions, misprints or misinterpretation of the content thereof. Amiad expressly disclaims all and any liability to any person in respect of anything done or omitted, and the consequences of anything done or omitted, by any such person in reliance on the contents of this publication. The parts contained in this publication are quoted free from any taxes, levies, charges and/ or other fees which are or may be imposed by any governmental, regulatory, taxation or other authority.

All the descriptions, drawings, pictures and/or any other information provided in this document is provided solely for guidance and reference. The guidance is given in good faith and is not intended to impose any obligation to Amiad. Please consult Amiad experts or its authorized representatives for further information or the current technical specifications before purchase.

The content of this part list is the sole and property of Amiad, including any intellectual property rights therein, whether registered or not. No part of this publication may be reproduced, recast, reformatted or transmitted in any form by any means, electronic or mechanical including photocopying, recording or any information storage and retrieval system, without the prior written permission from Amiad.

"Amiad", "Arkal" and "Filtomat" are all registered trademarks of Amiad Water Systems Ltd.  
© 2018 Amiad All rights reserved.

## TABLE OF CONTENTS

### MANUAL FILTERS

¾" Screen Filter with Valve	4
¾" Screen Filter w/o Valve	4
¾" Chemical Resistance Screen Filter	5
1" C Screen Filter with Valve	6
1" C Screen Filter w/o Valve	6
1" S Screen/Disc Filter with Valve	7
1" T Screen/Disc Filter with Valve	8
1" T-S Screen/Disc Filter with Valve	9
1 ½" C Screen/Disc Filter with Valve	10
1 ½" S Screen/Disc Filter with Valve	11
1 ½" T Screen/Disc Filter with Valve	12
1 ½" T-S Screen/Disc Filter with Valve	13
2" T Screen/Disc Filter with Valve & Pressure Check Point	14
2" T-S Screen/Disc Filter with Valve & Pressure Check Point	15
3" T Screen/Disc Filter with Valve & Pressure Check Point	16
3" TL Screen/Disc Filter with Valve & Pressure Check Point	17
3" TDS Screen/Disc Filter	18

### SEMI-AUTOMATIC FILTERS

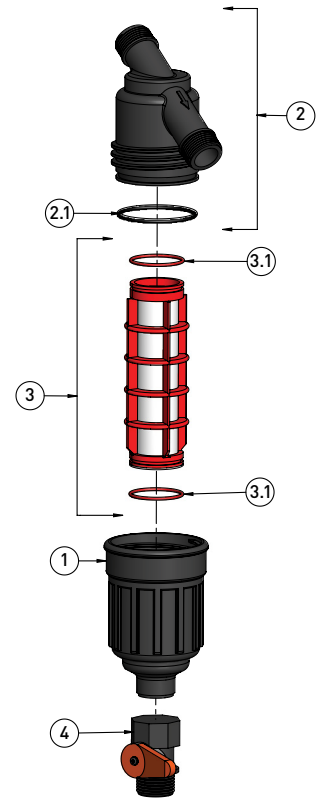
2" Scanaway Filter	19
2" Brushaway Filter	20
2" S Scanaway Filter	21
2" S Brushaway Filter	22
3" Scanaway Filter	23
3" Brushaway Filter	24

### FILTRATION ELEMENTS

Screens Filtration Elements	25-28
Disc Filtration Elements	29-30

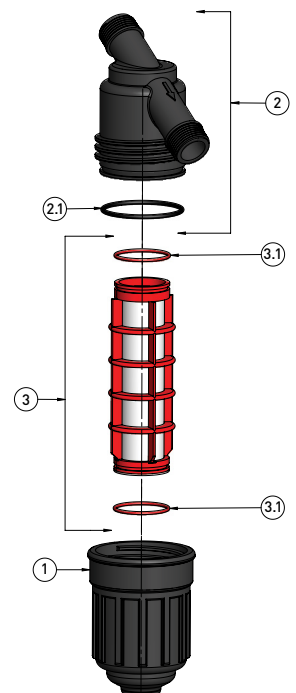
## 3/4" SCREEN FILTER WITH VALVE

NO.	DESCRIPTION	SAP CAT. NO.
1	3/4" COVER OPEN ACETAL BLACK	710101-000447
2	HOUSING 3/4" (AC, BLACK) BSPT ASSY	700190-001159
	HOUSING 3/4" (AC, BLACK) NPT ASSY	700190-001160
2.1	PARKER O-RING 2-136 NBR 70 SHORE NO FLASH	770102-000099
3	MOLDED WEAVEWIRE SCREEN S/ST316L 140SQ.CM 130MIC AMIAD 3/4"	700101-000300
	MOLDED WEAVEWIRE SCREEN POLYESTER 140SQ.CM 130MIC AMIAD 3/4" <b>For all available filtration degrees. See pages 25-30.</b>	700101-000276
3.1	MM O-RING SEAL ID34MM TH2.15MM NBR 70 SHORE RED DOT NO FLASH	770101-000039
4	BALL VALVE AC 3/4" 10 BAR BLACK	300005-000001



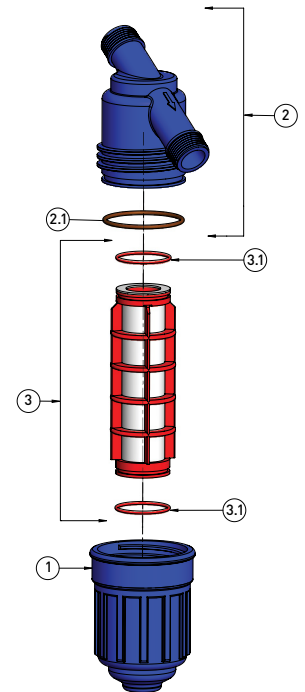
## 3/4" SCREEN FILTER W/O VALVE

NO.	DESCRIPTION	SAP CAT. NO.
1	3/4" COVER CLOSED ACETAL BLACK	710101-000449
2	HOUSING 3/4" (AC, BLACK) BSPT ASSY	700190-001159
	HOUSING 3/4" (AC, BLACK) NPT ASSY	700190-001160
2.1	PARKER O-RING 2-136 NBR 70 SHORE NO FLASH	770102-000099
3	MOLDED WEAVEWIRE SCREEN S/ST316L 140SQ.CM 130MIC AMIAD 3/4"	700101-000300
	MOLDED WEAVEWIRE SCREEN POLYESTER 140SQ.CM 130MIC AMIAD 3/4" <b>For all available filtration degrees. See pages 25-30.</b>	700101-000276
3.1	MM O-RING SEAL ID34MM TH2.15MM NBR 70 SHORE RED DOT NO FLASH	770101-000039



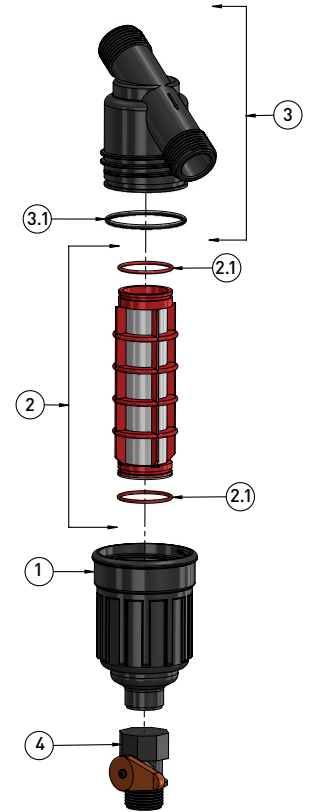
## 3/4" CHEMICAL RESISTANCE SCREEN FILTER

NO.	DESCRIPTION	SAP CAT. NO.
1	3/4" COVER CLOSED PP BLUE	710101-000451
2	HOUSING 3/4" (PP,BLUE-CHEM.RES.) BSPT, VITON SEAL ASSY	700190-001162
	HOUSING 3/4" (PP,BLUE-CHEM.RES.) NPT, VITON SEAL ASSY	700190-001163
2.1	PARKER O-RING 2-136 VITON 75 SHORE BROWN NO FLASH	770102-000237
3	MOLDED WEAVEWIRE SCREEN S/ST316L 140SQ.CM 130MIC AMIAD 3/4" PP VITON SEALS	700101-000307
	MOLDED WEAVEWIRE SCREEN POLYESTER 140SQ.CM 130MIC AMIAD 3/4" PP VITON SEALS <b>For all available filtration degrees. See pages 25-30.</b>	700101-000284
3.1	MM O-RING SEAL ID34MM TH2.15MM VITON 75 SHORE RED DOT NO FLASH	770101-000068



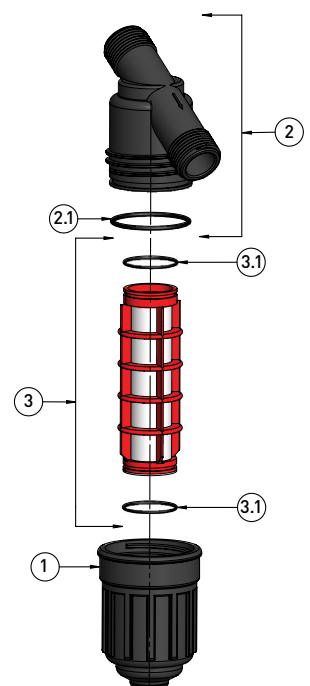
## 1" C SCREEN FILTER WITH VALVE

NO.	DESCRIPTION	SAP CAT. NO.
1	¾" COVER OPEN ACETAL BLACK	710101-000447
2	MOLDED WEAWEWIRE SCREEN S/ST316L 140SQ.CM 130MIC AMIAD ¾"	700101-000300
	MOLDED WEAWEWIRE SCREEN POLYESTER 140SQ.CM 130MIC AMIAD ¾" <b>For all available filtration degrees. See pages 25-30.</b>	700101-000276
2.1	MM O-RING SEAL ID34MM TH2.15MM NBR 70 SHORE RED DOT NO FLASH	770101-000039
3	HOUSING 1" C (AC, BLACK) BSPT ASSY	700190-001170
	HOUSING 1" C (AC, BLACK) NPT ASSY	700190-005492
3.1	PARKER O-RING 2-136 NBR 70 SHORE NO FLASH	770102-000099
4	BALL VALVE AC ¾" 10 BAR BLACK	300005-000001



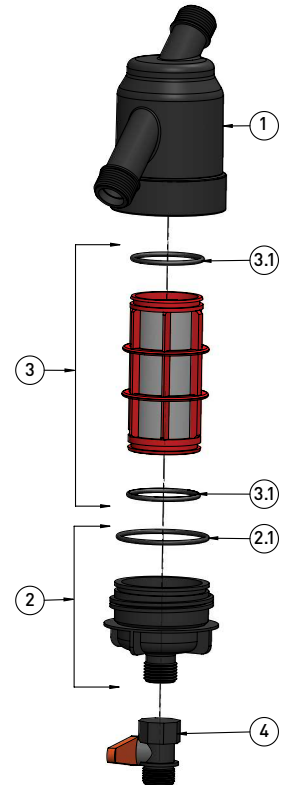
## 1" C SCREEN FILTER W/O VALVE

NO.	DESCRIPTION	SAP CAT. NO.
1	¾" COVER CLOSED ACETAL BLACK	710101-000449
2	HOUSING 1" C (AC, BLACK) BSPT ASSY	700190-001170
	HOUSING 1" C (AC, BLACK) NPT ASSY	700190-005492
2.1	PARKER O-RING 2-136 NBR 70 SHORE NO FLASH	770102-000099
3	MOLDED WEAWEWIRE SCREEN S/ST316L 140SQ.CM 130MIC AMIAD ¾"	700101-000300
	MOLDED WEAWEWIRE SCREEN POLYESTER 140SQ.CM 130MIC AMIAD ¾" <b>For all available filtration degrees. See pages 25-30.</b>	700101-000276
3.1	MM O-RING SEAL ID34MM TH2.15MM NBR 70 SHORE RED DOT NO FLASH	770101-000039



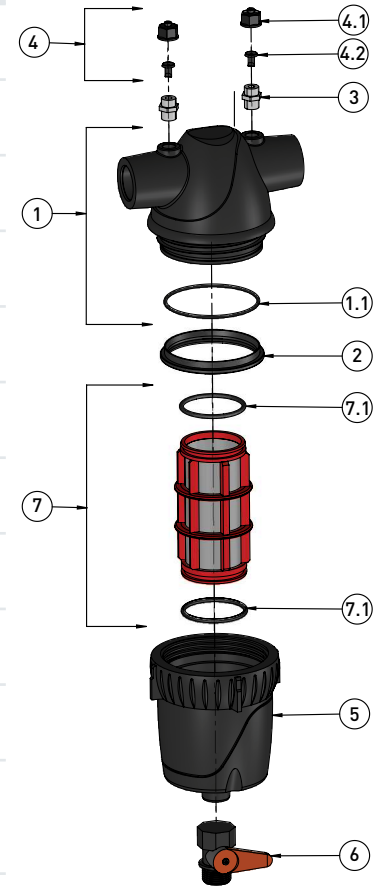
## 1" S SCREEN/DISC FILTER WITH VALVE

NO.	DESCRIPTION	SAP CAT. NO.
1	1" SUPER BODY BSPT ACETAL BLACK	710101-000480
	1" SUPER BODY NPT ACETAL BLACK	710101-000481
2	LID ASSEMBLY 1" S W/ SEAL	700190-001176
2.1	PARKER O-RING 2-232 NBR 70 SHORE NO FLASH	770102-000121
3	MOLDED WEAVEWIRE SCREEN S/ST316L 200SQ.CM 130MIC AMIAD 1" S NBR SEALS	700101-000338
	DISC ELEMENT HDPE 200SQ.CM 130MIC AMIAD 1" S NBR SEALS <b>For all available filtration degrees. See pages 25-30.</b>	700101-000323
3.1	PARKER O-RING 2-227 NBR 70 SHORE	770102-000117
4	BALL VALVE AC 3/4" 10 BAR BLACK	300005-000001



## 1" T SCREEN/DISC FILTER WITH VALVE

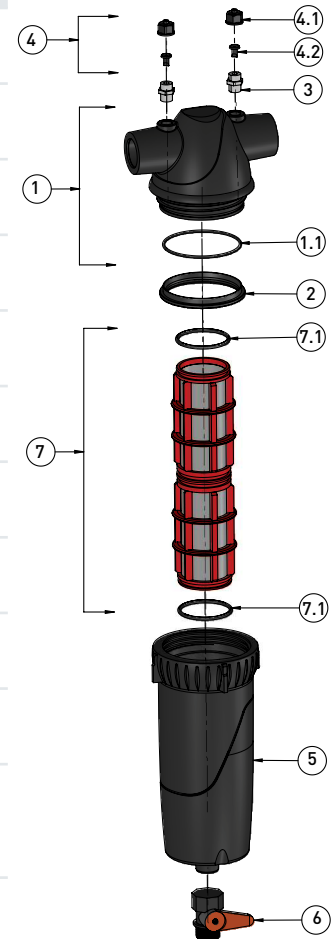
NO.	DESCRIPTION	SAP CAT. NO.
1	HOUSING 1" T BSP, BLACK, FOR P.CHECK POINT ASSY	700190-001188
1.1	PARKER O-RING 2-152 NBR 70 SHORE NO FLASH	770102-000101
2	HYDRAULIC SEAL EPDM 9.5MM 50 SHORE 1" T-1.5" T DW	770102-000359
3	NIPPLE 1/4" M x 1/4" M BSP S/ST316	720501-001141
4	PRESSURE CHECK POINT (PLASTIC) W/O NIPPLE ASSY	700190-001305
4.1	GAUGE PORT PLUG W/HOLE BSPT RPP BLACK	710101-000148
4.2	GAUGE PORT SEAL EPDM 45 SHORE	770104-000045
5	1" T COVER RPP BLACK	710101-000510
6	BALL VALVE AC 3/4" 10 BAR BLACK FOR 2" T	300005-000006
7	MOLDED WEAVEWIRE SCREEN S/ST316L 200SQ.CM 130MIC AMIAD 1" S NBR SEALS	700101-000338
	DISC ELEMENT HDPE 200SQ.CM 130MIC AMIAD 1" S NBR SEALS	700101-000323
	<b>For all available filtration degrees. See pages 25-30.</b>	
7.1	PARKER O-RING 2-227 NBR 70 SHORE	770102-000117





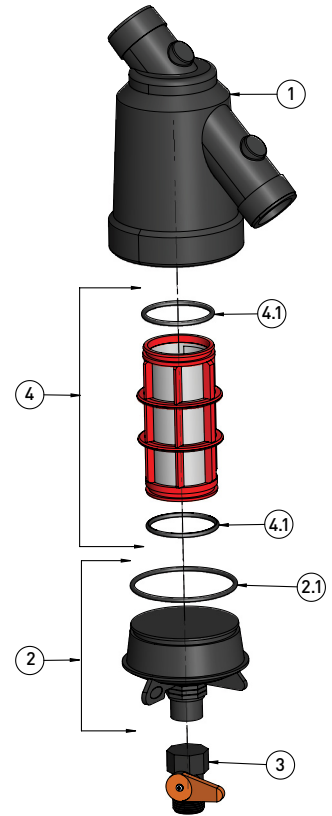
## 1" T-S SCREEN/DISC FILTER WITH VALVE

NO.	DESCRIPTION	SAP CAT. NO.
1	HOUSING 1" T BSP, BLACK, FOR P.CHECK POINT ASSY	700190-001188
1.1	PARKER O-RING 2-152 NBR 70 SHORE NO FLASH	770102-000101
2	HYDRAULIC SEAL EPDM 9.5MM 50 SHORE 1" T-1.5" T DW	770102-000359
3	NIPPLE 1/4" M x 1/4" M BSP S/ST316	720501-001141
4	PRESSURE CHECK POINT (PLASTIC) W/O NIPPLE ASSY	700190-001305
4.1	GAUGE PORT PLUG W/ HOLE BSPT RPP BLACK	710101-000148
4.2	GAUGE PORT SEAL EPDM 45 SHORE	770104-000045
5	1.5" T COVER RPP BLACK	710101-000539
6	BALL VALVE AC 3/4" 10 BAR BLACK FOR 2" T	300005-000006
7	MOLDED WEAVEWIRE SCREEN S/ST316L 460SQ.CM 130MIC AMIAD 1 1/2" NBR SEALS	700101-000365
	DISC ELEMENT HDPE 460SQ.CM 130MIC AMIAD 1 1/2" NBR SEALS	700101-000351
	<b>For all available filtration degrees. See pages 25-30.</b>	
7.1	PARKER O-RING 2-227 NBR 70 SHORE	770102-000117



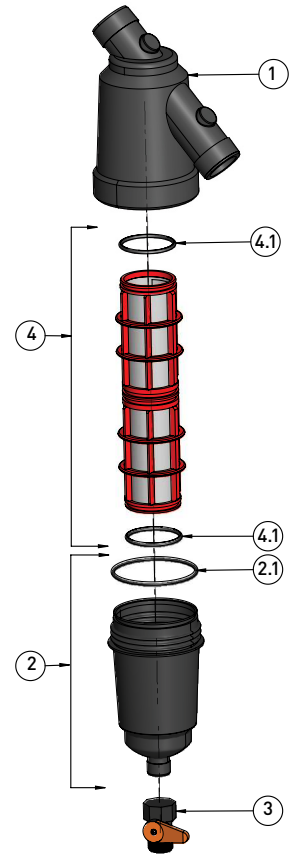
## 1 1/2" C SCREEN/DISC FILTER WITH VALVE

NO.	DESCRIPTION	SAP CAT. NO.
1	1.5" BODY BSPT ACETAL BLACK	710101-000525
	1.5" BODY NPT ACETAL BLACK	710101-000526
2	BOWL ASSEMBLY 1 1/2" C (AC, BLACK) W/ SEAL	700190-001202
2.1	PARKER O-RING 2-236 NBR 70 SHORE NO FLASH	770102-000125
3	BALL VALVE AC 3/4" 10 BAR BLACK	300005-000001
4	MOLDED WEAWEWIRE SCREEN S/ST316L 200SQ.CM 130MIC AMIAD 1" S NBR SEALS	700101-000338
	DISC ELEMENT HDPE 200SQ.CM 130MIC AMIAD 1" S NBR SEALS <b>For all available filtration degrees. See pages 25-30.</b>	700101-000323
4.1	PARKER O-RING 2-227 NBR 70 SHORE	770102-000117



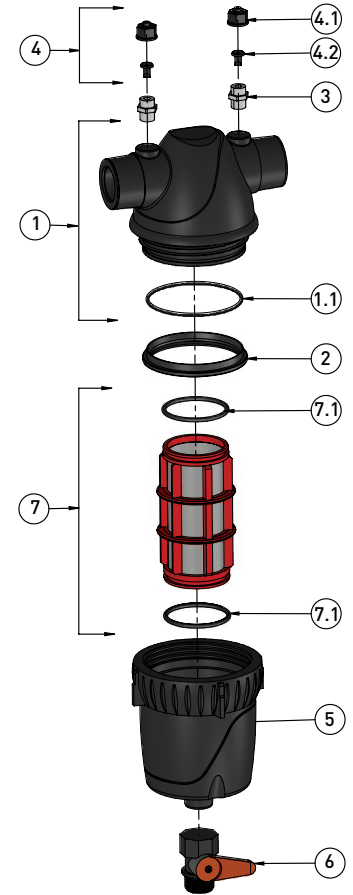
## 1 1/2" S SCREEN/DISC FILTER WITH VALVE

NO.	DESCRIPTION	SAP CAT. NO.
1	1.5" BODY BSPT ACETAL BLACK	710101-000525
	1.5" BODY NPT ACETAL BLACK	710101-000526
2	BOWL ASSEMBLY 1 1/2" S (AC, BLACK)	700190-001203
2.1	PARKER O-RING 2-236 NBR 70 SHORE NO FLASH	770102-000125
3	BALL VALVE AC 3/4" 10 BAR BLACK	300005-000001
4	MOLDED WEAVEWIRE SCREEN S/ST316L 460SQ.CM 130MIC AMIAD 1 1/2" NBR SEALS	700101-000365
	DISC ELEMENT HDPE 460SQ.CM 130MIC AMIAD 1 1/2" NBR SEALS <b>For all available filtration degrees. See pages 25-30.</b>	700101-000351
4.1	PARKER O-RING 2-227 NBR 70 SHORE	770102-000117



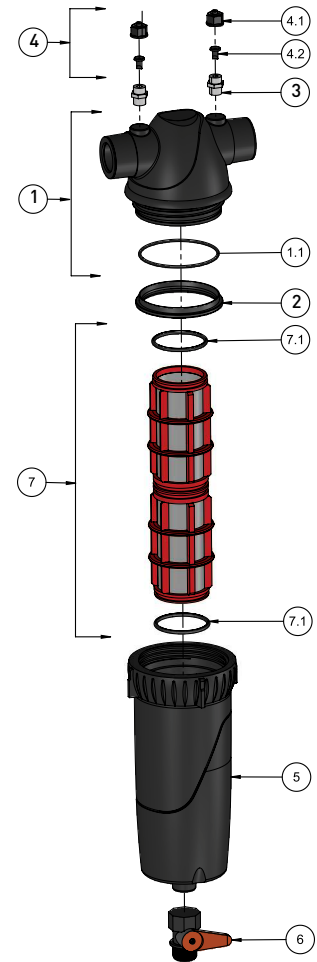
## 1 1/2" T SCREEN/DISC FILTER WITH VALVE

NO.	DESCRIPTION	SAP CAT. NO.
1	HOUSING 1 1/2" T BSPT, RPP, BLACK, FOR P.CHECK POINT	700190-001232
1.1	PARKER O-RING 2-152 NBR 70 SHORE NO FLASH	770102-000101
2	HYDRAULIC SEAL EPDM 9.5MM 50 SHORE 1" T-1.5" T DW	770102-000359
3	NIPPLE 1/4" M x 1/4" M BSP S/ST316	720501-001141
4	PRESSURE CHECK POINT (PLASTIC) W/O NIPPLE ASSY	700190-001305
4.1	GAUGE PORT PLUG W/HOLE BSPT RPP BLACK	710101-000148
4.2	GAUGE PORT SEAL EPDM 45 SHORE	770104-000045
5	1" T COVER RPP BLACK	710101-000510
6	BALL VALVE AC 3/4" 10 BAR BLACK FOR 2" T	300005-000006
7	MOLDED WEAVEWIRE SCREEN S/ST316L 200SQ.CM 130MIC AMIAD 1" S NBR SEALS	700101-000338
	DISC ELEMENT HDPE 200SQ.CM 130MIC AMIAD 1" S NBR SEALS	700101-000323
	<b>For all available filtration degrees. See pages 25-30.</b>	
7.1	PARKER O-RING 2-227 NBR 70 SHORE	770102-000117



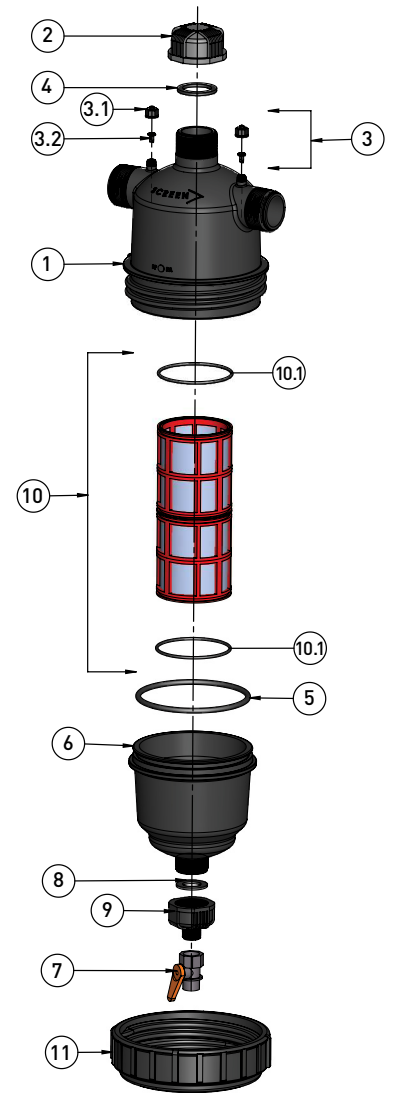
## 1 1/2" T-S SCREEN/DISC FILTER WITH VALVE

NO.	DESCRIPTION	SAP CAT. NO.
1	HOUSING 1 1/2" T BSPT, RPP, BLACK, FOR P.CHECK POINT	700190-001232
1.1	PARKER O-RING 2-152 NBR 70 SHORE NO FLASH	770102-000101
2	HYDRAULIC SEAL EPDM 9.5MM 50 SHORE 1" T-1.5" T DW	770102-000359
3	NIPPLE 1/4" M x 1/4" M BSP S/ST316	720501-001141
4	PRESSURE CHECK POINT (PLASTIC) W/O NIPPLE ASSY	700190-001305
4.1	GAUGE PORT PLUG W/HOLE BSPT RPP BLACK	710101-000148
4.2	GAUGE PORT SEAL EPDM 45 SHORE	770104-000045
5	1.5" T COVER RPP BLACK	710101-000539
6	BALL VALVE AC 3/4" 10 BAR BLACK FOR 2" T	300005-000006
7	MOLDED WEAVEWIRE SCREEN S/ST316L 460SQ.CM 130MIC AMIAD 1 1/2" NBR SEALS	700101-000365
	DISC ELEMENT HDPE 460SQ.CM 130MIC AMIAD 1 1/2" NBR SEALS	700101-000351
	<b>For all available filtration degrees. See pages 25-30.</b>	
7.1	PARKER O-RING 2-227 NBR 70 SHORE	770102-000117



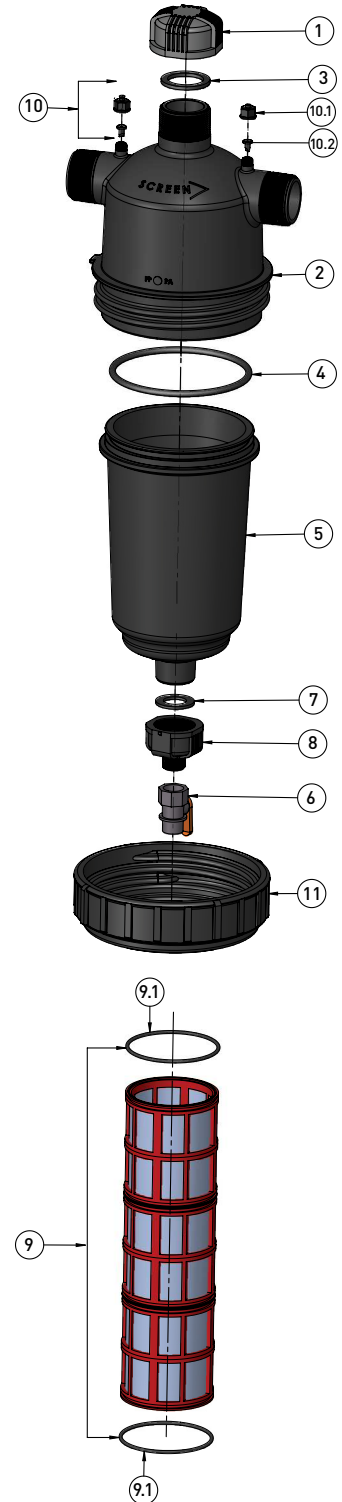
## 2" T SCREEN/DISC FILTER WITH VALVE & PRESSURE CHECK POINT

NO.	DESCRIPTION	SAP CAT. NO.
1	HOUSING 2" T/2" T-S PA BSPT	710103-004372
	HOUSING 2" T/2" T-S PA NPT	710103-004373
2	2" CAP BSPT PP BLACK	710101-000549
	2" CAP NPT PP BLACK	710101-000550
3	PRESSURE CHECK POINT (PLASTIC) W/O NIPPLE ASSY	700190-001305
3.1	GAUGE PORT PLUG W/HOLE BSPT RPP BLACK	710101-000148
3.2	GAUGE PORT SEAL EPDM 45 SHORE	770104-000045
4	FLAT SEAL 2" NBR 70 SHORE AMIAD	770103-000041
5	PARKER O-RING 2-437 NBR 50 SHORE NO FLASH WELL LUBRICATED	770102-000169
6	LID 2" TL RPA BSPT W/1 1/2"	710103-005731
7	BALL VALVE AC 3/4" 10 BAR BLACK FOR 2" T	300005-000006
8	FLAT SEAL 1 1/2" BSP NBR 70 SHORE FOR CAP AMIAD	770103-000036
9	1.5" x 3/4" BUSHING BSPT PP BLACK	710101-000548
10	MOLDED WEAVEWIRE SCREEN S/ST316L 800SQ.CM 130MIC AMIAD 2" NBR SEALS	700101-000388
	DISC ELEMENT PP 800SQ.CM 130MIC AMIAD 2" NBR SEALS <b>For all available filtration degrees. See pages 25-30.</b>	700101-001513
10.1	PARKER O-RING 2-242 NBR 70 SHORE NO FLASH	770102-000130
11	TIGHTENING NUT 2" T PA BLACK	710103-000544



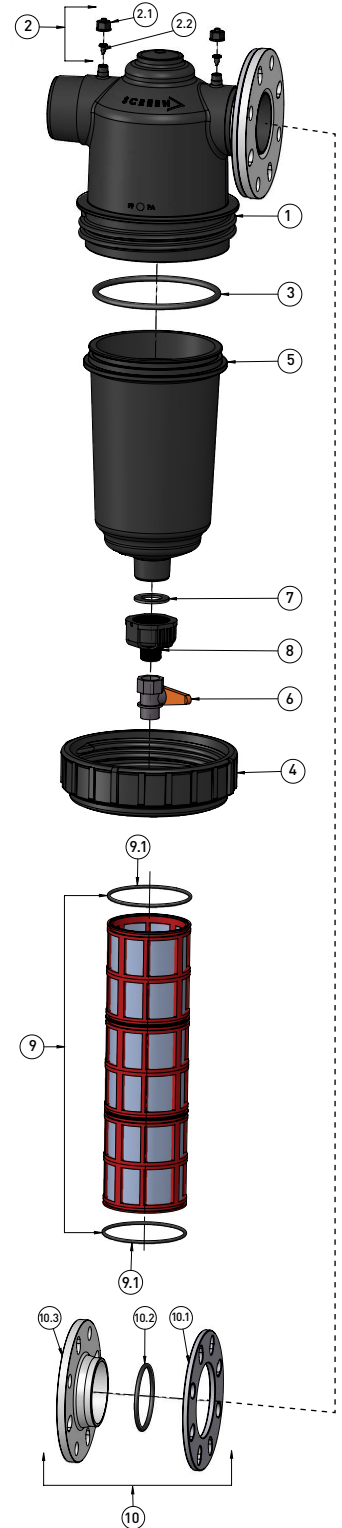
## 2" T-S SCREEN/DISC FILTER WITH VALVE & PRESSURE CHECK POINT

NO.	DESCRIPTION	SAP CAT. NO.
1	2" CAP BSPT PP BLACK	710101-000549
	2" CAP NPT PP BLACK	710101-000550
2	HOUSING 2" T/2" T-S PA BSPT	710103-004372
	HOUSING 2" T/2" T-S PA NPT	710103-004373
3	FLAT SEAL 2" NBR 70 SHORE AMIAD	770103-000041
4	PARKER O-RING 2-437 NBR 50 SHORE NO FLASH WELL LUBRICATED	770102-000169
5	LID 3" TL RPA BSPT W/1 1/2"	710103-005700
6	BALL VALVE AC 3/4" 10 BAR BLACK FOR 2" T	300005-000006
7	FLAT SEAL 1 1/2" BSP NBR 70 SHORE FOR CAP AMIAD	770103-000036
8	1.5" x 3/4" BUSHING BSPT PP BLACK	710101-000548
9	MOLDED WEAWEWIRE SCREEN S/ST316L 1200SQ.CM 130MIC AMIAD 2" S-3" NBR SEALS	700101-000415
	DISC ELEMENT PP 1200SQ.CM 130MIC AMIAD 2" S-3"	700101-001512
9.1	PARKER O-RING 2-242 NBR 70 SHORE NO FLASH <b>For all available filtration degrees. See pages 25-30.</b>	770102-000130
10	PRESSURE CHECK POINT (PLASTIC) W/O NIPPLE ASSY	700190-001305
10.1	GAUGE PORT PLUG W/HOLE BSPT RPP BLACK	710101-000148
10.2	GAUGE PORT SEAL EPDM 45 SHORE	770104-000045
11	TIGHTENING NUT 2" T PA BLACK	710103-000544



## 3" T SCREEN/DISC FILTER WITH VALVE & PRESSURE CHECK POINT

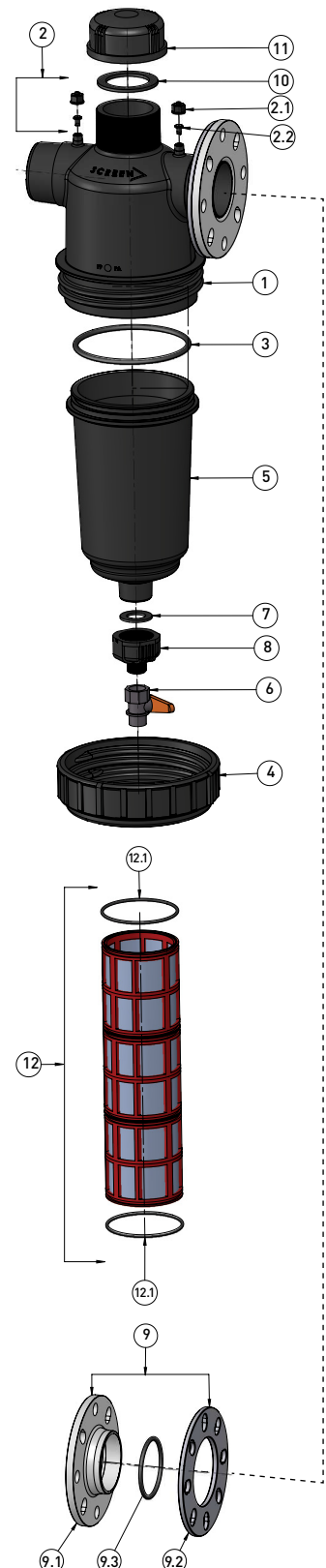
NO.	DESCRIPTION	SAP CAT. NO.
1	3" T BODY BSPT RPA BLACK	710101-000600
2	PRESSURE CHECK POINT (PLASTIC) W/O NIPPLE ASSY	700190-001305
2.1	GAUGE PORT PLUG W/HOLE BSPT RPP BLACK	710101-000148
2.2	GAUGE PORT SEAL EPDM 45 SHORE	770104-000045
3	PARKER O-RING 2-437 NBR 50 SHORE NO FLASH WELL LUBRICATED	770102-000169
4	TIGHTENING NUT 2" T PA BLACK	710103-000544
5	LID 3" TL RPA BSPT W/1 1/2"	710103-005700
6	BALL VALVE AC 3/4" 10 BAR BLACK FOR 2" T	300005-000006
7	FLAT SEAL 1 1/2" BSP NBR 70 SHORE FOR CAP AMIAD	770103-000036
8	1.5" x 3/4" BUSHING BSPT PP BLACK	710101-000548
9	MOLDED WEAVEWIRE SCREEN S/ST316L 1200SQ.CM 130MIC AMIAD 2" S-3" NBR SEALS DISC ELEMENT PP 1200SQ.CM 130MIC AMIAD 2" S-3" <b>For all available filtration degrees. See pages 25-30.</b>	700101-000415 700101-001512
9.1	PARKER O-RING 2-242 NBR 70 SHORE NO FLASH	770102-000130
10	FLANGE ASSEMBLY 3" T, UNIVERSAL FLANGE	700190-001267
10.1	MULTI STANDARD FLANGE BACKUP 3" SAE 1020 ZINC PLATED	710105-003783
10.2	PARKER O-RING 2-339 NBR 70 SHORE NO FLASH	770102-000150
10.3	FLANGE 3" T RPA BSPT	710103-000566





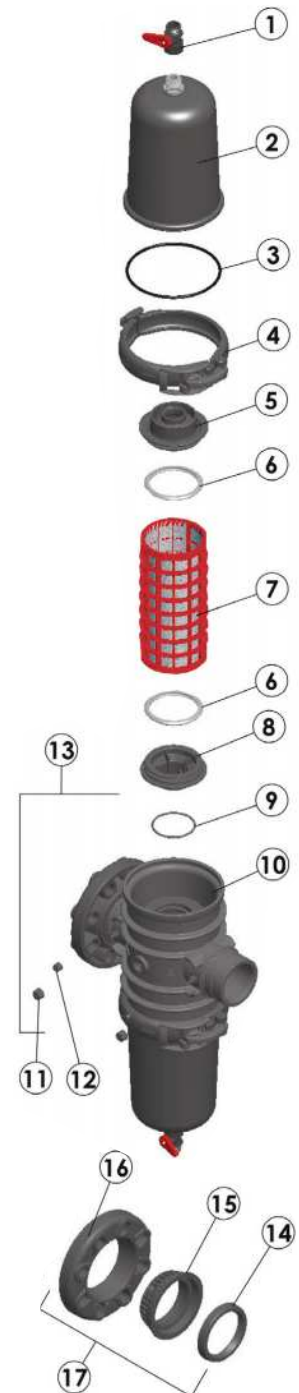
## 3"TL SCREEN/DISC FILTER WITH VALVE & PRESSURE CHECK POINT

NO.	DESCRIPTION	SAP CAT. NO.
	HOUSING 3"TL PA BSPT	710103-004385
	HOUSING 3"TL PA NPT	710103-004386
1	HOUSING 3"TL (PA, BLACK) UNIVERSAL FLANGE ASSY	700190-001273
	HOUSING 3"TL (PA, BLACK) ASA150 FLANGE ASSY	700190-005554
2	PRESSURE CHECK POINT (PLASTIC) W/O NIPPLE ASSY	700190-001305
2.1	GAUGE PORT PLUG W/HOLE BSPT RPP BLACK	710101-000148
2.2	GAUGE PORT SEAL EPDM 45 SHORE	770104-000045
3	PARKER O-RING 2-437 NBR 50 SHORE NO FLASH WELL LUBRICATED	770102-000169
4	TIGHTENING NUT 2"T PA BLACK	710103-000544
5	LID 3"TL RPA BSPT W/1 1/2"	710103-005700
6	BALL VALVE AC 3/4" 10 BAR BLACK FOR 2"T	300005-000006
7	FLAT SEAL 1 1/2" BSP NBR 70 SHORE FOR CAP AMIAD	770103-000036
8	1.5" x 3/4" BUSHING BSPT PP BLACK	710101-000548
9	FLANGE ASSEMBLY 3"T, UNIVERSAL FLANGE	700190-001267
9.1	FLANGE 3"T RPA BSPT	710103-000566
9.2	MULTI STANDARD FLANGE BACKUP 3" SAE 1020 ZINC PLATED	710105-003783
9.3	PARKER O-RING 2-339 NBR 70 SHORE NO FLASH	770102-000150
10	FLAT SEAL 3" NBR 70 SHORE FOR CAP AMIAD	770103-000047
11	3" CAP BSP RPP BLACK	710101-000608
12	MOLDED WEAVEWIRE SCREEN S/ST316L 1200SQ.CM 130MIC AMIAD 2"S-3" NBR SEALS	700101-000415
	DISC ELEMENT PP 1200SQ.CM 130MIC AMIAD 2"S-3"	700101-001512
	<b>For all available filtration degrees. See pages 25-30.</b>	
12.1	PARKER O-RING 2-242 NBR 70 SHORE NO FLASH	770102-000130



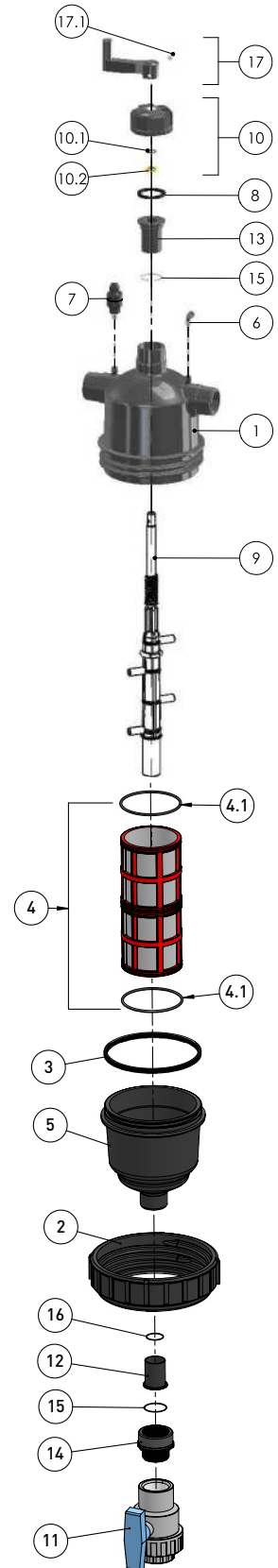
## 3" TDS SCREEN/DISC FILTER

NO.	DESCRIPTION	SAP CAT. NO.
1	BALL VALVE AC 3/4" 10 BAR BLACK	300005-000001
2	LITE 2"-3" COVER PP W/NIPPLE 3/4" BSP	710102-003364
3	PARKER O-RING 2-361 EPDM 70 SHORE YELLOW DOT	770102-000048
4	2" LITE CLAMP ASSEMBLY	700190-000220
5	2-3" LITE ADAPTOR UPPER PP BLACK	710101-001197
6	HYDRAULIC SEAL EPDM 70 SHORE SCREEN LITE	770104-000297
7	2-3" LITE SCREEN 250 B1 130M S/ST316 RPP RED	710101-001229
	DISC ELEMENT PP 130MIC 2-3" LITE	700101-000191
	<b>For all available filtration degrees. See pages 25-30.</b>	
8	2-3" LITE ADAPTOR LOWER PP BLACK	710101-001198
9	PARKER O-RING 2-232 EPDM 70 SHORE YELLOW DOT	770102-000374
10	LITE 3" BODY PP VIC F/SCREEN	710102-003365
11	GAUGE PORT PLUG W/HOLE BSPT RPP BLACK	710101-000148
12	GAUGE PORT SEAL EPDM 45 SHORE	770104-000045
13	3" LITE VIC BODY ASSEMBLY W/SEATS	700190-004370
14	GASKET EPDM 65 SHORE QUICK FLANGE	770104-000034
15	3" AK FLANGE RING ACETAL BLACK	710101-000135
16	FLANGE 3" RPA	710103-004931
17	3" AKF UNIVERSAL ASSY	700190-000223



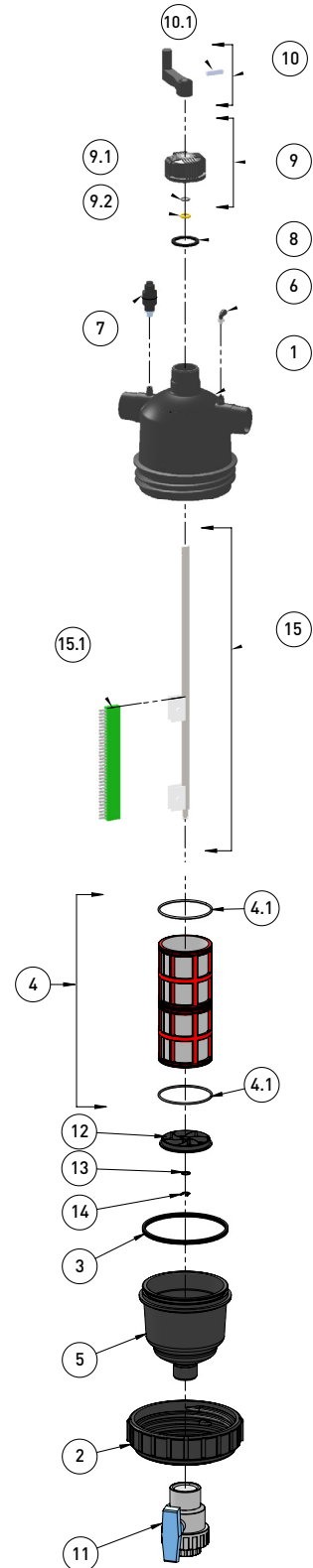
## 2" SCANAWAY FILTER

NO.	DESCRIPTION	SAP CAT. NO.
1	HOUSING 2"T/2"T-S PA BSPT	710103-004372
	HOUSING 2"T/2"T-S PA NPT	710103-004373
2	TIGHTENING NUT 2"T PA BLACK	710103-000544
3	PARKER O-RING 2-437 NBR 50 SHORE NO FLASH WELL LUBRICATED	770102-000169
4	MOLDED WEAVEWIRE SCREEN S/ST316L 800SQ.CM 200MIC AMIAD 2" NBR SEALS <b>For all available filtration degrees. See pages 25-30.</b>	700101-000389
4.1	PARKER O-RING 2-242 NBR 70 SHORE NO FLASH	770102-000130
5	LID 2"TL RPA BSPT W/1 1/2"	710103-005731
6	L-CONNECTOR 1/4" F X6MM BSPT RPP BLACK TEFEN	720501-000196
7	CLOGGING INDICATOR ASSY PLASTIC FILTERS	700190-001245
8	FLAT SEAL 2" NBR 70 SHORE AMIAD	770103-000041
9	2"T SCANNER RPBT GREY	710101-001430
10	CAP ASSEMBLY 2" (DRILLED) BSPT	700190-001393
	CAP ASSEMBLY FOR 2"T SCANAWAY NPT	700190-001394
10.1	PARKER O-RING 2-114 NBR 70 SHORE NO FLASH	770102-000083
10.2	FIXING RING 2"T BRASS F/SHAFT SEAL	710103-000700
11	2-WAY BALL VALVE 1 1/2" BSP PVC GREY MANUAL PLASSON	730104-000253
12	2" PLASTIC BEARING ACETAL BLACK	710101-001370
13	DRIVE BUSHING 2"S SCANAWAY POM	710103-000689
14	CONNECTOR 1 1/2" FEMALE/MALE C/ST	780101-000955
15	PARKER O-RING 2-129 NBR 70 SHORE	770102-000096
16	PARKER O-RING 2-028 NBR 70 SHORE	770102-000069
17	OPERATING HANDLE (2"-4") ASSY	700190-001414
17.1	SCANNER 2"T PIN SUCTION RPA BLACK	710101-000651



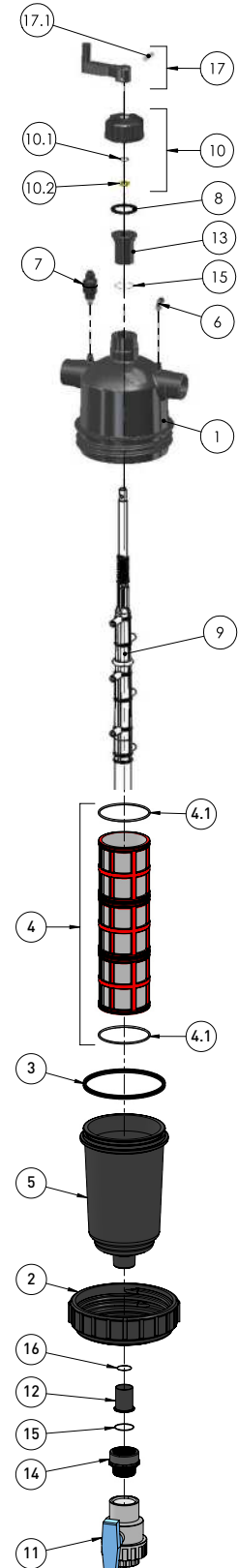
## 2" BRUSHAWAY FILTER

NO.	DESCRIPTION	SAP CAT. NO.
1	HOUSING 2"T/2"T-S PA BSPT	710103-004372
	HOUSING 2"T/2"T-S PA NPT	710103-004373
2	TIGHTENING NUT 2"T PA BLACK	710103-000544
3	PARKER O-RING 2-437 NBR 50 SHORE NO FLASH WELL LUBRICATED	770102-000169
4	MOLDED WEAVEWIRE SCREEN S/ST316L 800SQ.CM 200MIC AMIAD 2" NBR SEALS <b>For all available filtration degrees. See pages 25-30.</b>	700101-000389
4.1	PARKER O-RING 2-242 NBR 70 SHORE NO FLASH	770102-000130
5	LID 2"TL RPA BSPT W/1 1/2"	710103-005731
6	L-CONNECTOR 1/4" F x 6MM BSPT RPP BLACK TEFEN	720501-000196
7	CLOGGING INDICATOR ASSY PLASTIC FILTERS	700190-001245
8	FLAT SEAL 2" NBR 70 SHORE AMIAD	770103-000041
	CAP ASSEMBLY 2" (DRILLED) BSPT	700190-001393
9	CAP ASSEMBLY FOR 2"T SCANAWAY NPT	700190-001394
9.1	PARKER O-RING 2-114 NBR 70 SHORE NO FLASH	770102-000083
9.2	FIXING RING 2"T BRASS F/SHAFT SEAL	710103-000700
10	OPERATING HANDLE (2"-4") ASSY	700190-001414
10.1	SCANNER 2"T PIN SUCTION RPA BLACK	710101-000651
11	2-WAY BALL VALVE 1 1/2" BSP PVC GREY MANUAL PLASSON	730104-000253
12	SCANAWAY/BRUSHAWAY CENTERING RING ACETAL BLACK	710101-000657
13	FLAT WASHER M12 DIN125 S/ST304	760103-000098
14	LOCK SPRING SHAFT STEEL FILTERS S/ST316L	760107-000053
15	BRUSH ASSEMBLY 2"T	700190-001244
15.1	BRUSH 242 x 14MM 2" PLASTIC SEMI-AUTO PLASTIC 2"T/8" B/A	710103-000685



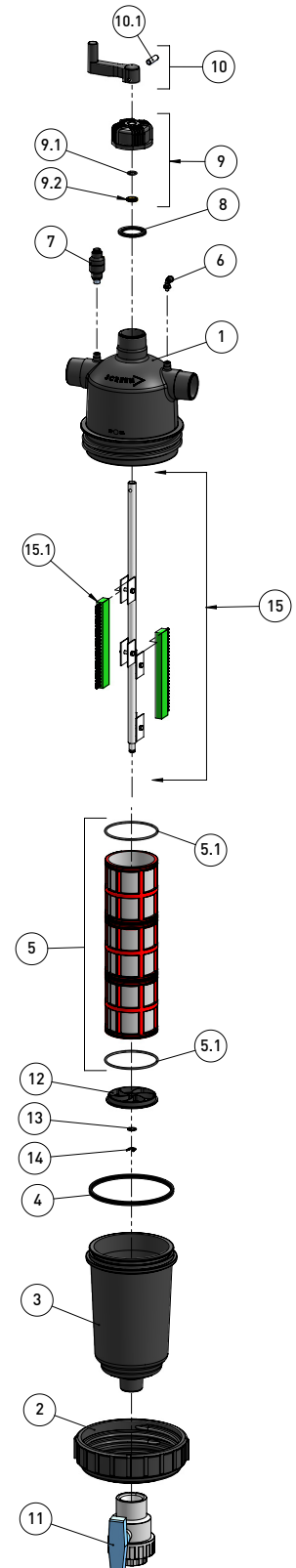
## 2" S SCANAWAY FILTER

NO.	DESCRIPTION	SAP CAT. NO.
1	HOUSING 2" T/2" T-S PA BSPT	710103-004372
	HOUSING 2" T/2" T-S PA NPT	710103-004373
2	TIGHTENING NUT 2" T PA BLACK	710103-000544
3	PARKER O-RING 2-437 NBR 50 SHORE NO FLASH WELL LUBRICATED	770102-000169
4	MOLDED WEAVEWIRE SCREEN S/ST316L 1200SQ.CM 130MIC AMIAD 2" S-3" NBR SEALS <b>For all available filtration degrees. See pages 25-30.</b>	700101-000415
4.1	PARKER O-RING 2-242 NBR 70 SHORE NO FLASH	770102-000130
5	LID 3" TL RPA BSPT W/1 1/2"	710103-005700
6	L-CONNECTOR 1/4" F x 6MM BSPT RPP BLACK TEFEN	720501-000196
7	CLOGGING INDICATOR ASSY PLASTIC FILTERS	700190-001245
8	FLAT SEAL 2" NBR 70 SHORE AMIAD	770103-000041
9	3" T SCANNER RPBT GREY	710101-001431
10	CAP ASSEMBLY 2" (DRILLED) BSPT	700190-001393
	CAP ASSEMBLY FOR 2" T SCANAWAY NPT	700190-001394
10.1	PARKER O-RING 2-114 NBR 70 SHORE NO FLASH	770102-000083
10.2	FIXING RING 2" T BRASS F/SHAFT SEAL	710103-000700
11	2-WAY BALL VALVE 1 1/2" BSP PVC GREY MANUAL PLASSON	730104-000253
12	2" PLASTIC BEARING ACETAL BLACK	710101-001370
13	DRIVE BUSHING 2" S SCANAWAY POM	710103-000689
14	CONNECTOR 1 1/2" FEMALE/MALE C/ST	780101-000955
15	PARKER O-RING 2-129 NBR 70 SHORE	770102-000096
16	PARKER O-RING 2-028 NBR 70 SHORE	770102-000069
17	OPERATING HANDLE (2"-4") ASSY	700190-001414
17.1	SCANNER 2" T PIN SUCTION RPA BLACK	710101-000651



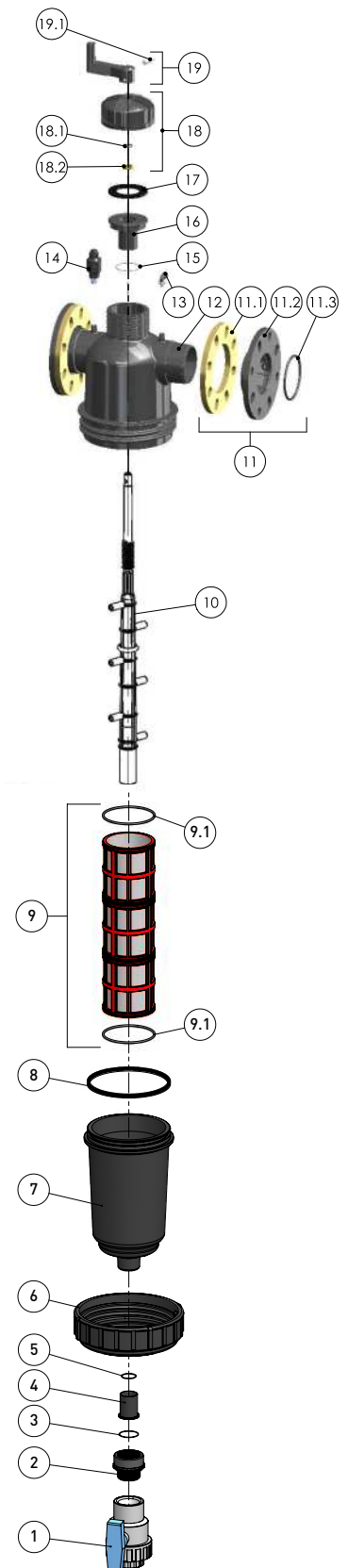
## 2" S BRUSHAWAY FILTER

NO.	DESCRIPTION	SAP CAT. NO.
1	HOUSING 2" T/2" T-S PA BSPT	710103-004372
	HOUSING 2" T/2" T-S PA NPT	710103-004373
2	TIGHTENING NUT 2" T PA BLACK	710103-000544
3	LID 3" TL RPA BSPT W/1 1/2"	710103-005700
4	PARKER O-RING 2-437 NBR 50 SHORE NO FLASH WELL LUBRICATED	770102-000169
5	MOLDED WEAVEWIRE SCREEN S/ST316L 1200SQ.CM 130MIC AMIAD 2" S - 3" NBR SEALS <b>For all available filtration degrees. See pages 25-30.</b>	700101-000415
5.1	PARKER O-RING 2-242 NBR 70 SHORE NO FLASH	770102-000130
6	L-CONNECTOR 1/4" F x 6MM BSPT RPP BLACK TEFEN	720501-000196
7	CLOGGING INDICATOR ASSY PLASTIC FILTERS	700190-001245
8	FLAT SEAL 2" NBR 70 SHORE AMIAD	770103-000041
9	CAP ASSEMBLY 2" (DRILLED) BSPT	700190-001393
	CAP ASSEMBLY FOR 2" T SCANAWAY NPT	700190-001394
9.1	PARKER O-RING 2-114 NBR 70 SHORE NO FLASH	770102-000083
9.2	FIXING RING 2" T BRASS F/SHAFT SEAL	710103-000700
10	OPERATING HANDLE (2"-4") ASSY	700190-001414
10.1	SCANNER 2" T PIN SUCTION RPA BLACK	710101-000651
11	2-WAY BALL VALVE 1 1/2" BSP PVC GREY MANUAL PLASSON	730104-000253
12	SCANAWAY/BRUSHAWAY CENTERING RING ACETAL BLACK	710101-000657
13	FLAT WASHER M12 DIN125 S/ST304	760103-000098
14	LOCK SPRING SHAFT STEEL FILTERS S/ST316L	760107-000053
15	BRUSH ASSEMBLY (2" T-S, 3" T)	700190-001404
15.1	BRUSH 28 x 14 3" PLASTIC SEMI-AUTO PLASTIC	710103-000707



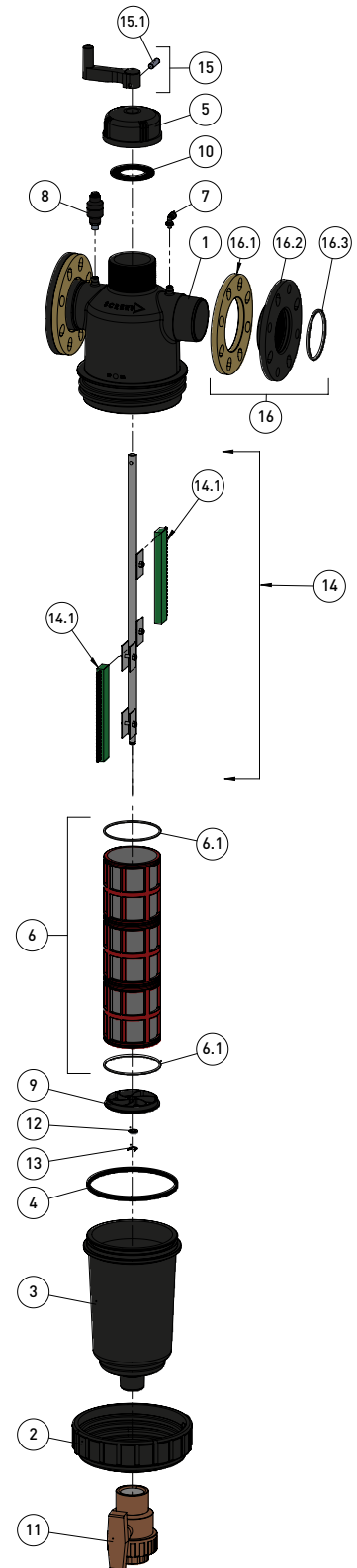
## 3" SCANAWAY FILTER

NO.	DESCRIPTION	SAP CAT. NO.
1	2-WAY BALL VALVE 1 ½" BSP PVC GREY MANUAL PLASSON	730104-000253
2	CONNECTOR 1 ½" FEMALE/MALE C/ST	780101-000955
3	PARKER O-RING 2-129 NBR 70 SHORE	770102-000096
4	2" PLASTIC BEARING ACETAL BLACK	710101-001370
5	PARKER O-RING 2-028 NBR 70 SHORE	770102-000069
6	TIGHTENING NUT 2"T PA BLACK	710103-000544
7	LID 3"TL RPA BSPT W/1 ½"	710103-005700
8	PARKER O-RING 2-437 NBR 50 SHORE NO FLASH WELL LUBRICATED	770102-000169
9	MOLDED WEAVEWIRE SCREEN S/ST316L 1200SQ.CM 130MIC AMIAD 2"S-3" NBR SEALS <b>For all available filtration degrees. See pages 25-30.</b>	700101-000415
9.1	PARKER O-RING 2-242 NBR 70 SHORE NO FLASH	770102-000130
10	3"T SCANNER RPBT GREY	710101-001431
11	FLANGE ASSEMBLY 3"T, UNFL	700190-001267
11.1	M.STD FLNG BACKUP 3" SAE 1020 Z.PLATED	710105-003783
11.2	FLANGE 3"T RPA BSPT	710103-000566
11.3	PARKER O-RING 2-339 NBR 70S NO FLASH	770102-000150
	HOUSING 3"TL PA BSPT	710103-004385
	HOUSING 3"TL PA NPT	710103-004386
12	HOUSING 3"TL (PA, BLACK) UNIVERSAL FLANGE ASSY	700190-001273
	HOUSING 3"TL (PA, BLACK) ASA150 FLANGE ASSY	700190-005554
13	L-CONNECTOR ¼"F x 6MM BSPT RPP BLACK TEFEN	720501-000196
14	CLOGGING INDICATOR ASSY PLASTIC FILTERS	700190-001245
15	PARKER O-RING 2-232 NBR 70 SHORE NO FLASH	770102-000121
16	DRIVE BUSHING 3" SCANAWAY POM	710103-000709
17	FLAT SEAL 3" NBR 70 SHORE FOR CAP AMIAD	770103-000047
	CAP ASSEMBLY 3"T (DRILLED) BSPT	700190-001405
18	CAP ASSEMBLY FOR 3"T SCANAWAY NPT	700190-001406
18.1	PARKER O-RING 2-114 NBR 70 SHORE NO FLASH	770102-000083
18.2	FIXING RING 2"T BRASS F/SHAFT SEAL	710103-000700
19	OPERATING HANDLE (2"-4") ASSY	700190-001414
19.1	SCANNER 2"T PIN SUCTION RPA BLACK	710101-000651



## 3" BRUSHAWAY FILTER

NO.	DESCRIPTION	SAP CAT. NO.
	HOUSING 3"TL PA BSPT	710103-004385
	HOUSING 3"TL PA NPT	710103-004386
1	HOUSING 3"TL (PA, BLACK) UNIVERSAL FLANGE ASSY	700190-001273
	HOUSING 3"TL (PA, BLACK) ASA150 FLANGE ASSY	700190-005554
2	TIGHTENING NUT 2"T PA BLACK	710103-000544
3	LID 3"TL RPA BSPT W/1 1/2"	710103-005700
4	PARKER O-RING 2-437 NBR 50 SHORE NO FLASH WELL LUBRICATED	770102-000169
5	CAP ASSEMBLY 3"T (DRILLED) BSPT	700190-001405
	CAP ASSEMBLY FOR 3"T SCANAWAY NPT	700190-001406
6	MOLDED WEAVEWIRE SCREEN S/ST316L 1200SQ.CM 130MIC AMIAD 2"S - 3" NBR SEALS <b>For all available filtration degrees. See pages 25-30.</b>	700101-000415
6.1	PARKER O-RING 2-242 NBR 70 SHORE NO FLASH	770102-000130
7	L-CONNECTOR 1/4" F x 6MM BSPT RPP BLACK TEFEN	720501-000196
8	CLOGGING INDICATOR ASSY PLASTIC FILTERS	700190-001245
9	SCANAWAY/BRUSHAWAY CENTERING RING ACETAL BLACK	710101-000657
10	FLAT SEAL 3" NBR 70 SHORE FOR CAP AMIAD	770103-000047
11	2-WAY BALL VALVE 1 1/2" BSP PVC GREY MANUAL PLASSON	730104-000253
12	FLAT WASHER M12 DIN125 S/ST304	760103-000098
13	LOCK SPRING SHAFT STEEL FILTERS S/ST316L	760107-000053
14	BRUSH ASSEMBLY (2"T-S, 3"T)	700190-001404
14.1	BRUSH 28 x 14 3" PLASTIC SEMI-AUTO PLASTIC	710103-000707
15	OPERATING HANDLE (2"-4") ASSY	700190-001414
15.1	SCANNER 2"T PIN SUCTION RPA BLACK	710101-000651
16	FLANGE ASSEMBLY 3"T, UNIVERSAL FLANGE	700190-001267
16.1	MULTI STANDARD FLANGE BACKUP 3" SAE 1020 ZINC PLATED	710105-003783
16.2	FLANGE 3"T RPA BSPT	710103-000566
16.3	PARKER O-RING 2-339 NBR 70 SHORE NO FLASH	770102-000150





## SCREENS FILTRATION ELEMEMENTS

DESCRIPTION	SAP CAT. NO.
<b>FOR ¾" - 1" C PLASTIC FILTERS</b>	
MOLDED WEAWEWIRE SCREEN POLYESTER 140SQ.CM 100MIC AMIAD ¾"	700101-000275
MOLDED WEAWEWIRE SCREEN POLYESTER 140SQ.CM 130MIC AMIAD ¾"	700101-000276
MOLDED WEAWEWIRE SCREEN POLYESTER 140SQ.CM 300MIC AMIAD ¾"	700101-000278
MOLDED WEAWEWIRE SCREEN POLYESTER 140SQ.CM 100MIC AMIAD ¾" VITON SEALS	700101-000283
MOLDED WEAWEWIRE SCREEN POLYESTER 140SQ.CM 130MIC AMIAD ¾" VITON SEALS	700101-000284
MOLDED WEAWEWIRE SCREEN POLYESTER 140SQ.CM 300MIC AMIAD ¾" VITON SEALS	700101-000286
MOLDED WEAWEWIRE SCREEN S/ST316L 140SQ.CM 50MIC AMIAD ¾"	700101-000297
MOLDED WEAWEWIRE SCREEN S/ST316L 140SQ.CM 80MIC AMIAD ¾"	700101-000298
MOLDED WEAWEWIRE SCREEN S/ST316L 140SQ.CM 100MIC AMIAD ¾"	700101-000299
MOLDED WEAWEWIRE SCREEN S/ST316L 140SQ.CM 130MIC AMIAD ¾"	700101-000300
MOLDED WEAWEWIRE SCREEN S/ST316L 140SQ.CM 200MIC AMIAD ¾"	700101-000301
MOLDED WEAWEWIRE SCREEN S/ST316L 140SQ.CM 300MIC AMIAD ¾"	700101-000302
MOLDED WEAWEWIRE SCREEN S/ST316L 140SQ.CM 500MIC AMIAD ¾"	700101-000303
MOLDED WEAWEWIRE SCREEN S/ST316L 140SQ.CM 50MIC AMIAD ¾" VITON SEALS	700101-000304
MOLDED WEAWEWIRE SCREEN S/ST316L 140SQ.CM 80MIC AMIAD ¾" VITON SEALS	700101-000305
MOLDED WEAWEWIRE SCREEN S/ST316L 140SQ.CM 100MIC AMIAD ¾" VITON SEALS	700101-000306
MOLDED WEAWEWIRE SCREEN S/ST316L 140SQ.CM 130MIC AMIAD ¾" VITON SEALS	700101-000307
MOLDED WEAWEWIRE SCREEN S/ST316L 140SQ.CM 200MIC AMIAD ¾" VITON SEALS	700101-000308
MOLDED WEAWEWIRE SCREEN S/ST316L 140SQ.CM 300MIC AMIAD ¾" VITON SEALS	700101-000309
MOLDED WEAWEWIRE SCREEN S/ST316L 140SQ.CM 500MIC AMIAD ¾" VITON SEALS	700101-000310

(continued)

## SCREENS FILTRATION ELEMEMENTS (continued)

DESCRIPTION	SAP CAT. NO.
<b>FOR 1" S PLASTIC FILTERS</b>	
MOLDED WEAWEWIRE SCREEN POLYESTER 200SQ.CM 100MIC AMIAD 1" S	700101-000327
MOLDED WEAWEWIRE SCREEN POLYESTER 200SQ.CM 130MIC AMIAD 1" S	700101-000328
MOLDED WEAWEWIRE SCREEN POLYESTER 200SQ.CM 300MIC AMIAD 1" S	700101-000330
MOLDED WEAWEWIRE SCREEN S/ST316L 200SQ.CM 50MIC AMIAD 1" S	700101-000335
MOLDED WEAWEWIRE SCREEN S/ST316L 200SQ.CM 80MIC AMIAD 1" S	700101-000336
MOLDED WEAWEWIRE SCREEN S/ST316L 200SQ.CM 100MIC AMIAD 1" S	700101-000337
MOLDED WEAWEWIRE SCREEN S/ST316L 200SQ.CM 130MIC AMIAD 1" S	700101-000338
MOLDED WEAWEWIRE SCREEN S/ST316L 200SQ.CM 200MIC AMIAD 1" S	700101-000339
MOLDED WEAWEWIRE SCREEN S/ST316L 200SQ.CM 300MIC AMIAD 1" S	700101-000340
MOLDED WEAWEWIRE SCREEN S/ST316L 200SQ.CM 500MIC AMIAD 1" S	700101-000341
<b>FOR 1 1/2" PLASTIC FILTERS</b>	
MOLDED WEAWEWIRE SCREEN POLYESTER 460SQ.CM 100MIC AMIAD 1 1/2"	700101-000355
MOLDED WEAWEWIRE SCREEN POLYESTER 460SQ.CM 130MIC AMIAD 1 1/2"	700101-000356
MOLDED WEAWEWIRE SCREEN POLYESTER 460SQ.CM 300MIC AMIAD 1 1/2"	700101-000358
MOLDED WEAWEWIRE SCREEN S/ST316L 460SQ.CM 50MIC AMIAD 1 1/2"	700101-000362
MOLDED WEAWEWIRE SCREEN S/ST316L 460SQ.CM 80MIC AMIAD 1 1/2"	700101-000363
MOLDED WEAWEWIRE SCREEN S/ST316L 460SQ.CM 100MIC AMIAD 1 1/2"	700101-000364
MOLDED WEAWEWIRE SCREEN S/ST316L 460SQ.CM 130MIC AMIAD 1 1/2"	700101-000365
MOLDED WEAWEWIRE SCREEN S/ST316L 460SQ.CM 200MIC AMIAD 1 1/2"	700101-000366
MOLDED WEAWEWIRE SCREEN S/ST316L 460SQ.CM 300MIC AMIAD 1 1/2"	700101-000367
MOLDED WEAWEWIRE SCREEN S/ST316L 460SQ.CM 500MIC AMIAD 1 1/2"	700101-000368

(continued)

## SCREENS FILTRATION ELEMEMENTS (continued)

DESCRIPTION	SAP CAT. NO.
<b>FOR 2" S PLASTIC FILTERS</b>	
MOLDED WEAWEWIRE SCREEN S/ST316L 800SQ.CM 50MIC AMIAD 2"	700101-000385
MOLDED WEAWEWIRE SCREEN S/ST316L 800SQ.CM 80MIC AMIAD 2"	700101-000386
MOLDED WEAWEWIRE SCREEN S/ST316L 800SQ.CM 100MIC AMIAD 2"	700101-000387
MOLDED WEAWEWIRE SCREEN S/ST316L 800SQ.CM 130MIC AMIAD 2"	700101-000388
MOLDED WEAWEWIRE SCREEN S/ST316L 800SQ.CM 200MIC AMIAD 2"	700101-000389
MOLDED WEAWEWIRE SCREEN S/ST316L 800SQ.CM 300MIC AMIAD 2"	700101-000390
MOLDED WEAWEWIRE SCREEN S/ST316L 800SQ.CM 500MIC AMIAD 2"	700101-000391
PERFORATED SCREEN S/ST316L 800SQ.CM 500MIC AMIAD 2"	700101-000380
PERFORATED SCREEN S/ST316L 800SQ.CM 800MIC AMIAD 2"	700101-000381
PERFORATED SCREEN S/ST316L 800SQ.CM 1500MIC AMIAD 2"	700101-000382
PERFORATED SCREEN S/ST316L 800SQ.CM 2500MIC AMIAD 2"	700101-000383
PERFORATED SCREEN S/ST316L 800SQ.CM 3500MIC AMIAD 2"	700101-000384
<b>FOR 2" S-3" PLASTIC FILTERS</b>	
MOLDED WEAWEWIRE SCREEN S/ST316L 1200SQ.CM 50MIC AMIAD 2" S-3"	700101-000412
MOLDED WEAWEWIRE SCREEN S/ST316L 1200SQ.CM 80MIC AMIAD 2" S-3"	700101-000413
MOLDED WEAWEWIRE SCREEN S/ST316L 1200SQ.CM 100MIC AMIAD 2" S-3"	700101-000414
MOLDED WEAWEWIRE SCREEN S/ST316L 1200SQ.CM 130MIC AMIAD 2" S-3"	700101-000415
MOLDED WEAWEWIRE SCREEN S/ST316L 1200SQ.CM 200MIC AMIAD 2" S-3"	700101-000416
MOLDED WEAWEWIRE SCREEN S/ST316L 1200SQ.CM 300MIC AMIAD 2" S-3"	700101-000417
MOLDED WEAWEWIRE SCREEN S/ST316L 1200SQ.CM 500MIC AMIAD 2" S-3"	700101-000418

(continued)

## SCREENS FILTRATION ELEMEMENTS (continued)

DESCRIPTION	SAP CAT. NO.
<b>FOR 2”S-3” PLASTIC FILTERS</b>	
PERFORATED SCREEN S/ST316L 1200SQ.CM 500MIC AMIAD 2”S-3”	700101-000406
PERFORATED SCREEN S/ST316L 1200SQ.CM 800MIC AMIAD 2”S-3”	700101-000407
PERFORATED SCREEN S/ST316L 1200SQ.CM 1500MIC AMIAD 2”S-3”	700101-000408
PERFORATED SCREEN S/ST316L 1200SQ.CM 2500MIC AMIAD 2”S-3”	700101-000409
PERFORATED SCREEN S/ST316L 1200SQ.CM 3500MIC AMIAD 2”S-3”	700101-000410
<b>FOR 3” TDS FILTERS</b>	
2”-3” SCREEN 100M SST316	710101-001288
2”-3” SCREEN 130M SST316	710101-001229
2”-3” SCREEN 200M SST316	710101-001289

## DISC FILTRATION ELEMENTS

DESCRIPTION	SAP CAT. NO.
<b>FOR 1" S PLASTIC FILTERS</b>	
DISC ELEMENT HDPE 200SQ.CM 100MIC AMIAD 1" S	700101-000322
DISC ELEMENT HDPE 200SQ.CM 130MIC AMIAD 1" S	700101-000323
DISC ELEMENT HDPE 200SQ.CM 200MIC AMIAD 1" S	700101-001930
<b>FOR 1 1/2" PLASTIC FILTERS</b>	
DISC ELEMENT HDPE 460SQ.CM 100MIC AMIAD 1 1/2"	700101-000350
DISC ELEMENT HDPE 460SQ.CM 130MIC AMIAD 1 1/2"	700101-000351
DISC ELEMENT HDPE 460SQ.CM 200MIC AMIAD 1 1/2"	700101-001694
<b>FOR 2" PLASTIC FILTERS</b>	
DISC ELEMENT PP 800SQ.CM 100MIC AMIAD 2"	700101-001667
DISC ELEMENT PP 800SQ.CM 130MIC AMIAD 2"	700101-001513
DISC ELEMENT PP 800SQ.CM 200MIC AMIAD 2"	700101-001669
DISC SET PP 100MIC AMIAD 2"	700101-001659
DISC SET PP 130MIC AMIAD 2"	700101-001656
DISC SET PP 200MIC AMIAD 2"	700101-001661
<b>FOR 2" S-3" PLASTIC FILTERS</b>	
DISC ELEMENT PP 1200SQ.CM 100MIC AMIAD 2" S-3"	700101-001666
DISC ELEMENT PP 1200SQ.CM 130MIC AMIAD 2" S-3"	700101-001512
DISC ELEMENT PP 1200SQ.CM 200MIC AMIAD 2" S-3"	700101-001668

(continued)

## DISC FILTRATION ELEMENTS (continued)

DESCRIPTION	SAP CAT. NO.
<b>FOR 2" S-3" PLASTIC FILTER</b>	
DISC SET PP 100MIC AMIAD 2" S-3"	700101-001658
DISC SET PP 130MIC AMIAD 2" S-3"	700101-001657
DISC SET PP 200MIC AMIAD 2" S-3"	700101-001660
<b>FOR 3" TDS FILTERS</b>	
DISC ELEMENT PP 20MIC 2"-3"	700101-000195
DISC ELEMENT PP 55MIC 2"-3"	700101-000193
DISC ELEMENT PP 70MIC 2"-3"	700101-000189
DISC ELEMENT PP 100MIC 2"-3"	700101-000192
DISC ELEMENT PP 130MIC 2"-3"	700101-000191
DISC ELEMENT PP 200MIC 2"-3"	700101-000190
DISC ELEMENT PP 400MIC 2"-3"	700101-000188

Spare Parts for Plastic and Metal Screen Filters Amiad  
Manual, Automatic and Semi Automatic - Click for Orders and Support

[Irrigationglobal.com](http://Irrigationglobal.com)