



MEC 9000
MEC 11000
MEC 13500

Catalogo Tecnico

Technical catalogue

Catalogue technique

Technischer Katalog

Catálogo Técnico

Catálogo Técnico



Battioni®
Pagani
Pompe



Battioni Pagani Pompe® in cooperation with SPRInT, the Team of Engineering and Research of the Department of Industrial Engineering at the University of Parma, are proud to present the new **MEC II** pump: a technology breakthrough result of a major joint effort in product development and of innovative design processes. The MEC II offers world class top performances and increased structural resistance achieved despite reduced weight and size compared with its predecessor and any other similar product available on the market.



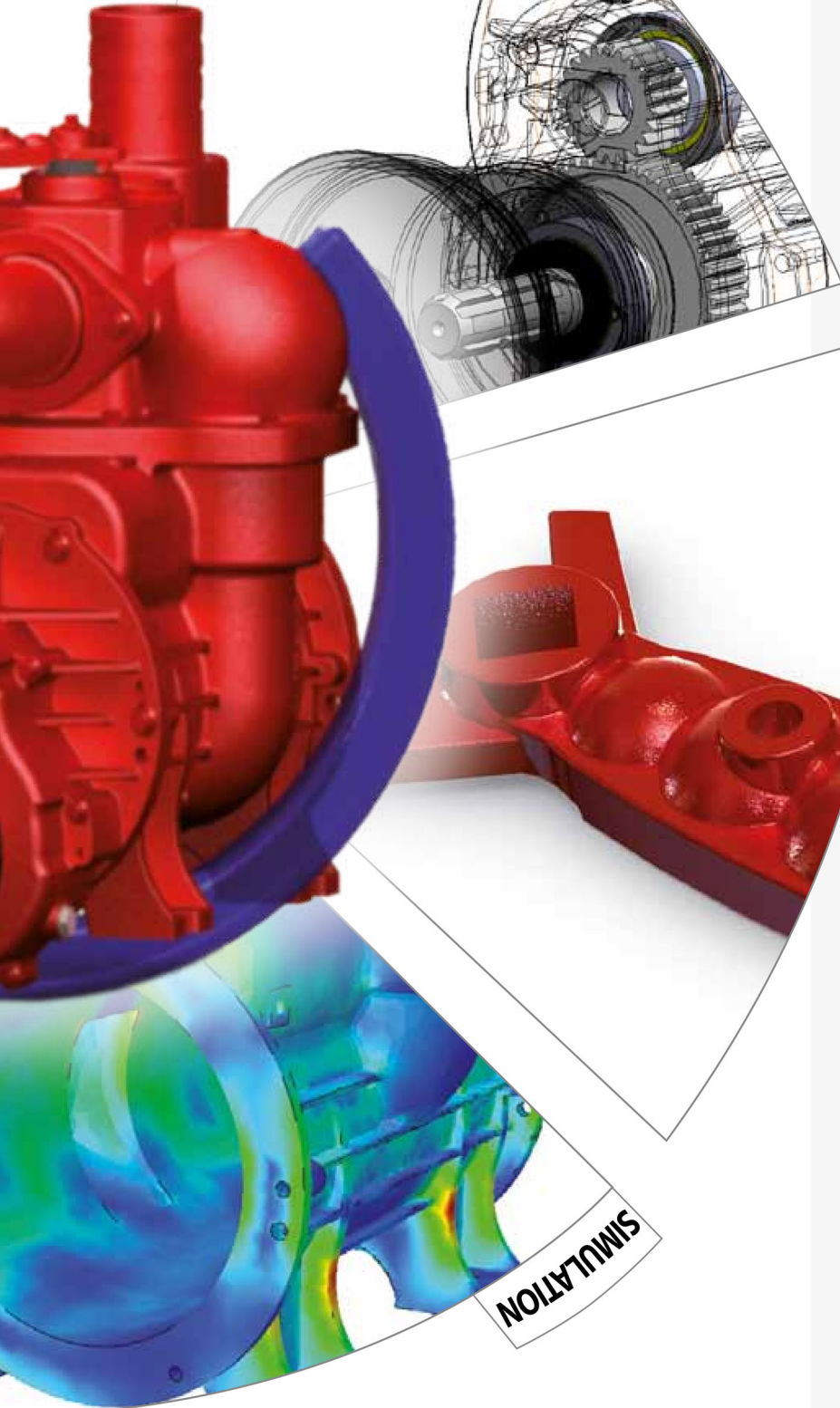
A first time ever in agricultural pump industry, our scientific method and rigorous approach to product design combining advanced engineering processes and virtual simulations, have been instrumental to further improve the performances of our products combining the right mix of technology innovation with our traditional long standing values of quality and reliability.

Battioni Pagani Pompe® is a world wide leader in design and manufacturing of Rotary Vanes Vacuum Pumps for agricultural and industrial markets since 1952. With a production capacity of over 20.000 pumps the company further widens its product portfolio by adding the MEC II pump to the MEC family. **Battioni Pagani Pompe®** is a ISO 9001 certified company and with more than 500.000 MEC pumps delivered to over 100 countries **Battioni Pagani Pompe®** is recognized for its proven track record of consistent delivery of quality and reliability to its customers worldwide.



NEW IDEA

Our Partners....



SIMULATION

CREATIVE DESIGN



e-FEM is an Engineering Company specialized (qualified) in CAE (Computer Aided Engineering) area and it is born after natural maturation of technical-scientific and professional experiences of its members, mixing high level engineering knowledge and well-established (strong) experience in CAE desing sectors. Multidisciplinarity, professionalism and high dynamism are the features that allow to e-FEM to assist and support customers, through a complete offer of simulation and design services, in their decision-making process for the product innovation and development. e-FEM are qualified in following areas: 3D-model, structural and mechanical design, FEM calculation, multibody dynamic analysis, fluid-dynamic analysis, structural optimization, advanced (innovative) composite materials and polymeric materials.

home: www.e-fem.it
 mail: info@e-fem.it

SPRInT is a Team of Engineering and Research in Mechanical Design and Construction Machinery area at the Department of Industrial Engineering at the University of Parma, mixing strong Research and Industrial Development Experiences and Technical-Scientific Research.



SPRInT cooperates with industrial companies concerning Research and Development, Engineering, Advice and Training in Structural Mechanical Design, CAD/CAE Methods, Virtual Prototyping sectors.

The experience reached and quality of realized projects allow to collaborate with industrial companies on their product innovation process in full compliance with their requirements.

home: www.sprint-solutions.it
 mail: info@sprint-solutions.it

FUORITHEMA ARCHITETTURA
 Located in Parma, is made of professionals with proved experience. They are organized, together with external consultants, in a multidisciplinary team able to issue the more suitable proposal for every situation in the field of industrial and handicrafts design, architecture and design.

home: www.fuorithema.com
 mail: info@fuorithema.com

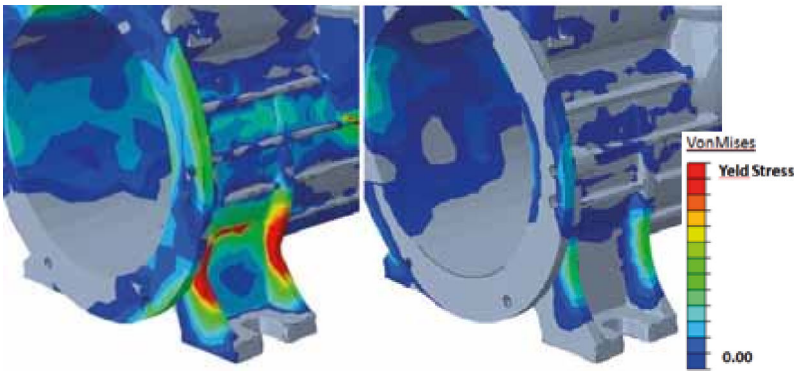
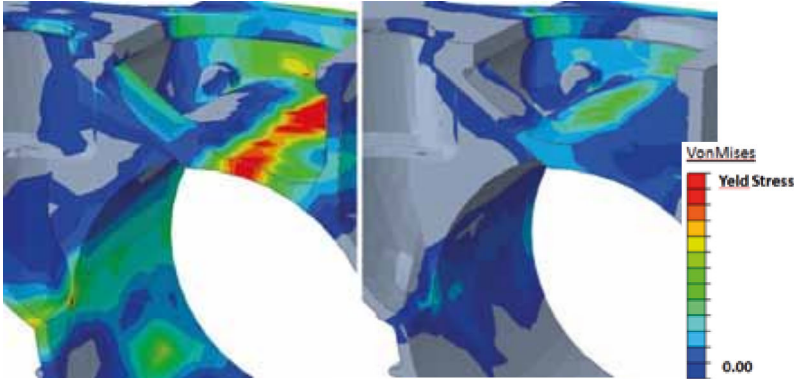
FUORITHEMA
 Architettura

ENGINEERING AND MANUFACTURING

Our design methodology and state of the art mass production equipment and processes assure to all our customers consistent delivery of product performance, quality and reliability at the lowest possible cost.

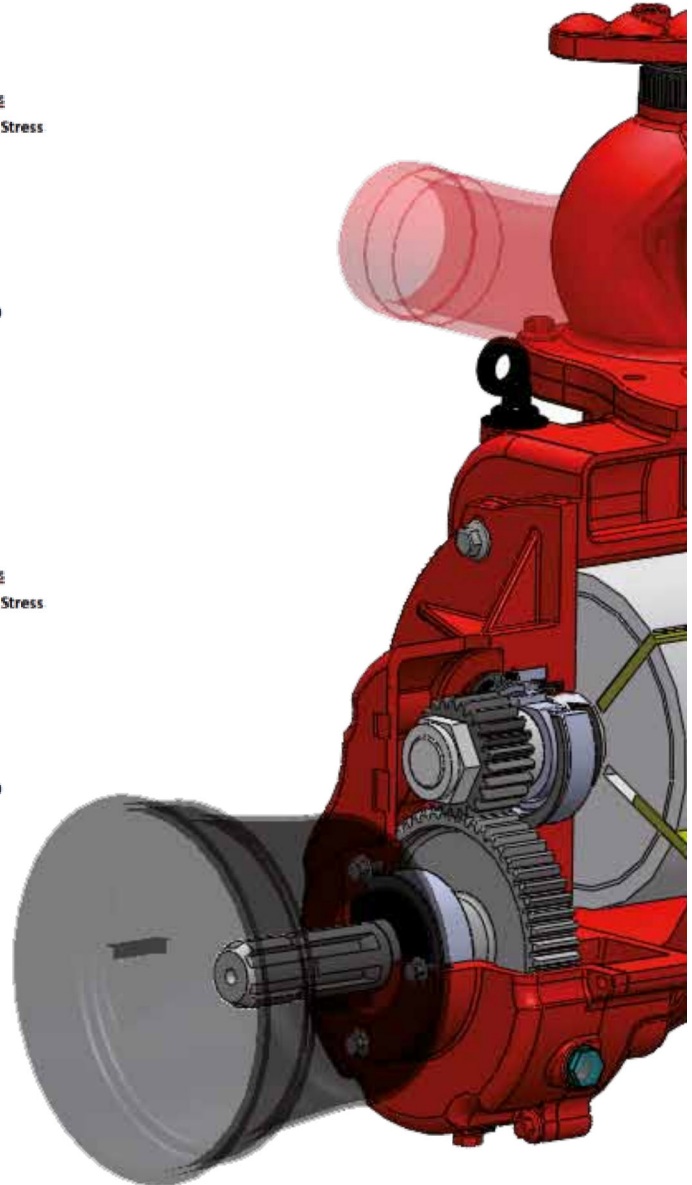
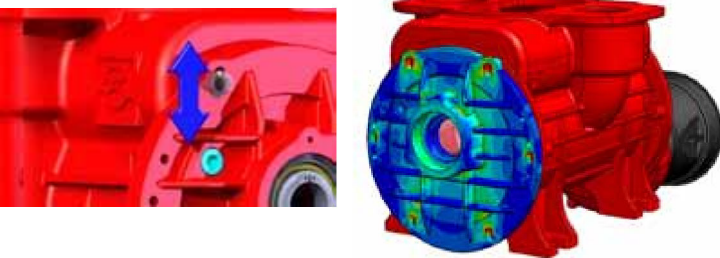
FINITE ELEMENT METHOD ANALYSIS (FEM)

The MEC II is designed by Finite Element Method to achieve very compact dimensions and light weight. This has been obtained at no compromise with performances: for example the structural shock resistance of the pump in case of blades crash is instead considerably increased.



CRASH PROTECTION SYSTEM

The MEC II *Sliding Flanges* protection mechanism prevents the housing or rotor to break of in case of vanes crash.

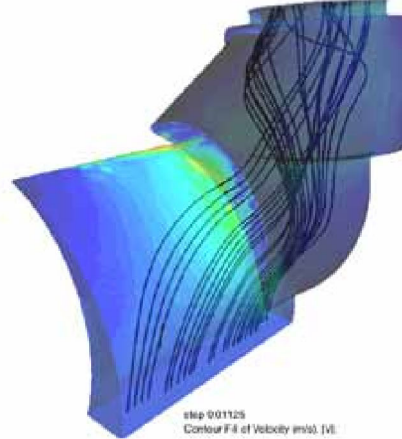


AXIAL COOLING FINS

The accurate dimensioning of the housin cooling fins maximizes the quantity of heat dissipated by natural convection under any working conditions.

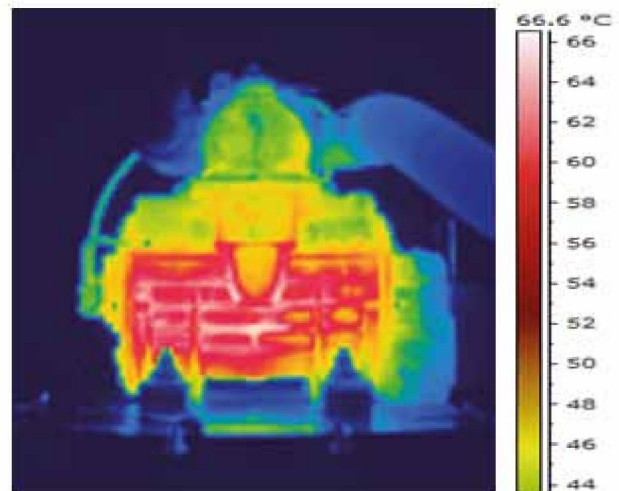
COMPUTATIONAL FLUID DYNAMIC (CFD)

The Computational Fluid Dynamic analyzes in details the behavior of air flows and pressures within the vacuum lines. Streamlining ducts is mandatory to obtain maximum efficiency and to eliminate overheating at the most extreme working conditions.



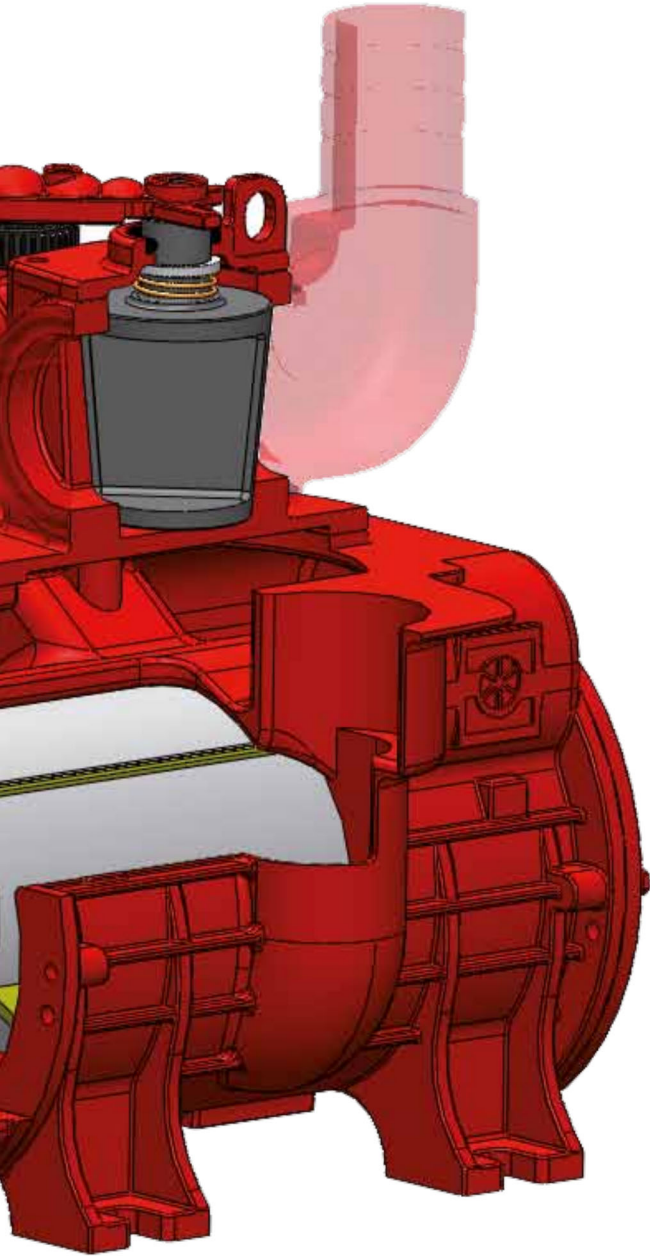
THERMOGRAPHIC TEST

The thermo-graphic analysis of the temperature gradient and of the distribution of the infrared radiations points exactly to the areas where efficiency improvements maybe required.



PUMP ACCEPTANCE TEST

Conformity and CE certificates are released subsequent to final assembly at the end of the manufacturing line where our automatic computer station tests compliancy of each pump performances maintaining a serial number database for full traceability.



MEC

9000 - 11000 - 13500

Non-return check valve as standard

Valvola di non ritorno di serie
Soupape de contrôle de série
Kontrollventil als Serie
Válvula de retención de serie
Válvula de retenção de série

Temperature indicator

Rilevatore di temperatura
Décteur de température
Temperaturdedektor
Indicador de temperatura
Indicador de temperatura

160° C Irreversible indicator

Indicatore Irreversibile 160° C
Indicateur irréversible 160°C
irreversibel Anzeiger 160°C
Testigo irreversível de
sobrecalentamiento a 160 °C
Indicador irreversível 160°



Force feed lubrication pump as standard (automatic lubrication on request)

Pompa di lubrificazione forzata di serie
(lubrificazione automatica a richiesta)
Pompe de lubrification forcée de série
(pompe de lubrification automatique sur demande)
Druckschmierung als Serie (Automatische
Schmierung auf Anfrage)
Bomba de lubricación forzada de serie
(lubricación automática bajo pedido).
Bomba de lubrificação forçada de série
(lubrificação automática por encomenda)

Heat-resistant blades of special material as series

Palette "long life" resistenti al calore di serie
Palettes en matériel spécial résistant à la chaleur de série
Hitzebeständigen Lamellen aus Spezialmaterial als Serie
Paletas especiales, resistentes al calor y al desgaste de serie
Paletes em material especial resistentes ao calor de série

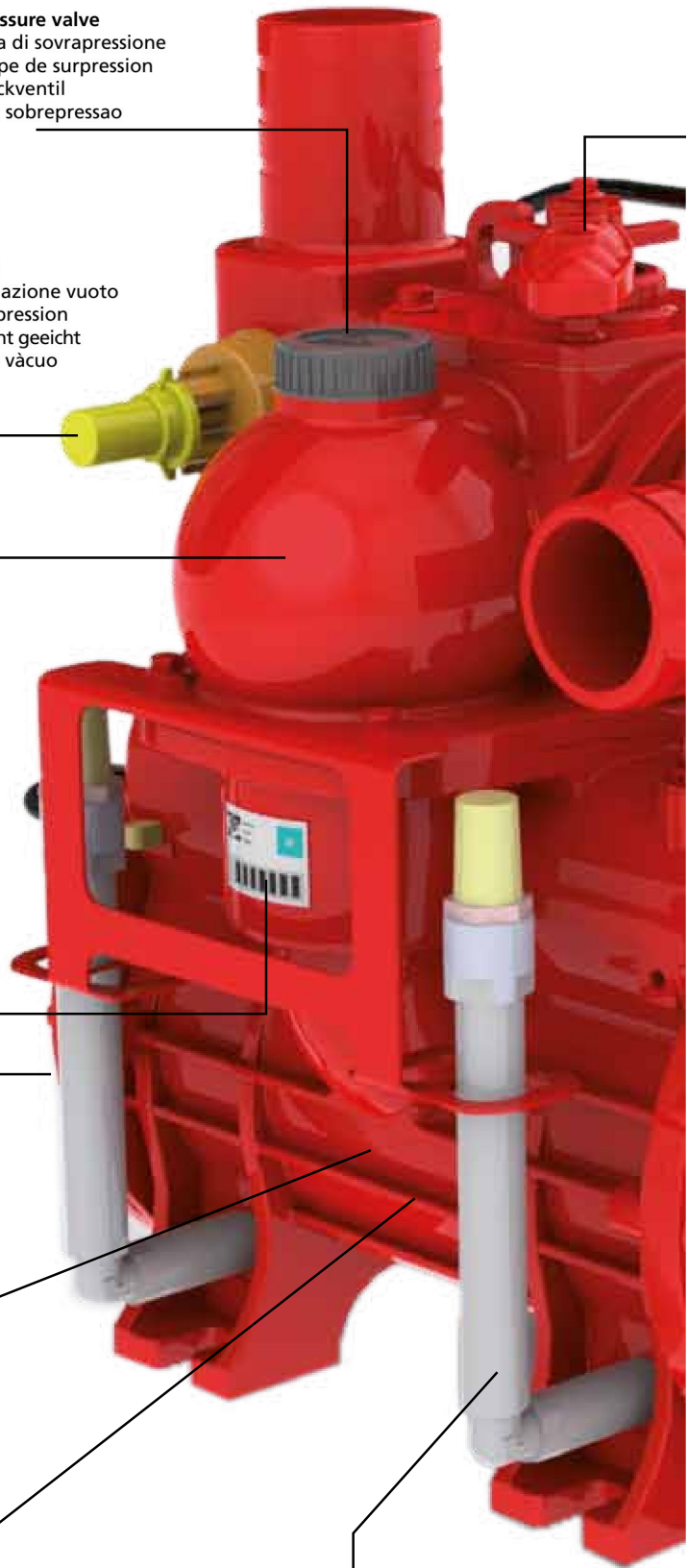
Long life blades

Optimized according to specifications given by
Battioni Pagani Pompe. The special hot embossing
of the company "logo" is a guarantee of proved
and tested quality.

Predisposition for overpressure valve
Predisposizione per valvola di sovrappressione
Prédisposition pour soupape de surpression
Vorbereitung für Überdruckventil
Disposição para válvula de sobrepressão

Predisposition for depression valve

Predisposizione per valvola di regolazione vuoto
Prédisposition pour soupape de depression
Vorbereitung für Überdruckventil nicht geeicht
Disposição para válvula de controle vácuo

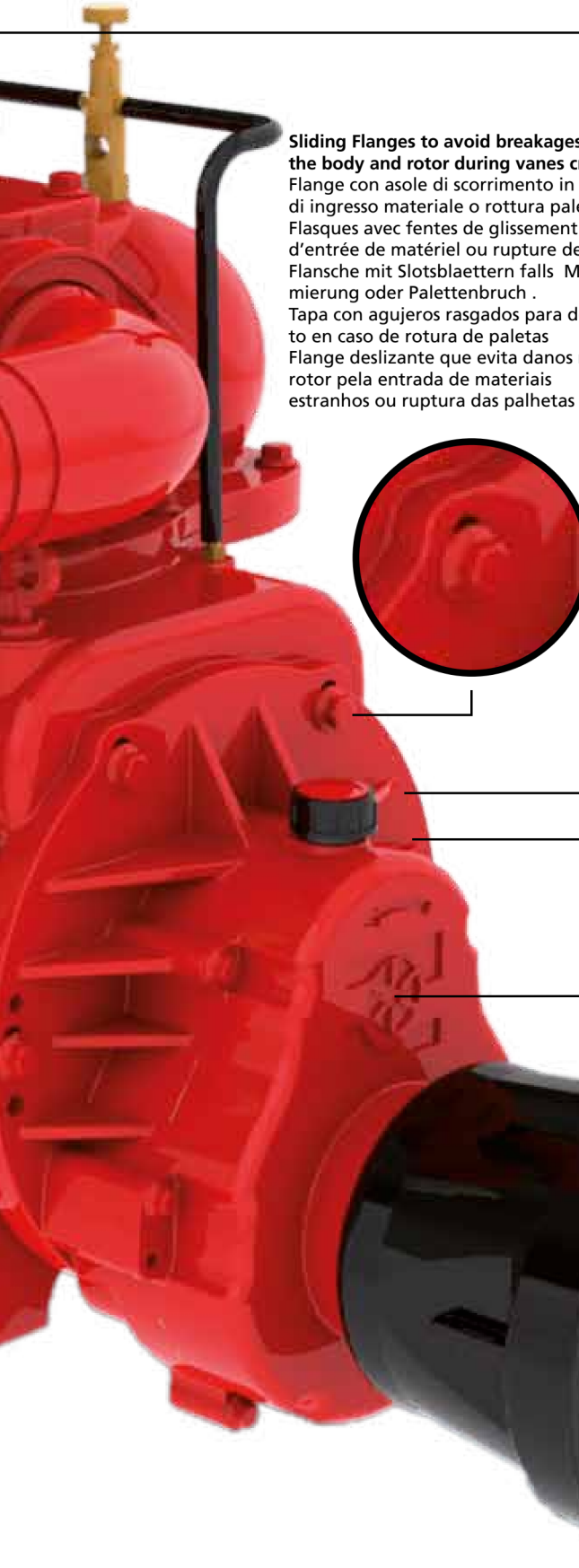


High wearing resistance thanks to cast-iron with high hardness

Elevata resistenza ad usura grazie a ghisa
ad alta durezza
Resistance à l'usure élevée suivant à fonte
avec dureté élevée
Hohe Festigkeit zu Abnutzung für
Gußeisen mit hohe Härte
Elevada resistencia al desgaste debido a
una fundición de alta dureza.
Alta resistência contra o desgaste graças
ao ferro fundido de elevada dureza

Air injection cooling (BALLAST) on request

Iniezione aria di raffreddamento (BALLAST)
a richiesta
Injection air de refroidissement (BALLAST)
sur demande
Injektion der Luftkühlung (BALLAST)
auf Anfrage
Inyección de aire de refrigeración (BALLAST)
bajo pedido
Arrefecimento por injeção de ar (BALLAST)
per incominda



Selector vacuum - pressure
 Selettore Vuoto - Pressione
 Sélecteur vide-pression
 Wähler von Vakuum/Druck
 Selector vaclo - presión.
 Selector Vácuo - Pressão

Selection handle for vacuum/compression
 Ergonomic design and comfortable rotation thanks to the use of new solutions and materials with low friction coefficient.

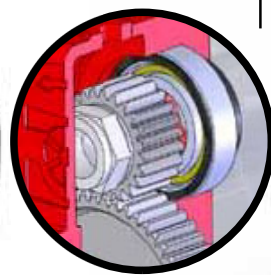
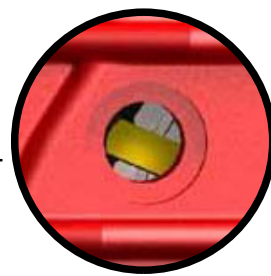
Sliding Flanges to avoid breakages of the body and rotor during vanes crashes
 Flange con asole di scorrimento in caso di ingresso materiale o rottura palette
 Flasques avec fentes de glissement en cas d'entrée de matériel ou rupture des palettes
 Flansche mit Slotsblaettern falls Materialschmierung oder Palettenbruch .
 Tapa con agujeros rasgados para deslizamiento en caso de rotura de paletas
 Flange deslizante que evita danos no corpo e rotor pela entrada de materiais estranhos ou ruptura das palhetas

Flange-housing alignment control
 Tacca di allineamento flangia - corpo
 Cran de alignment flasque-corps
 Ausrichtmarke der Flanschgehäuse
 Muesca de alineacion tapa-cuerpo
 Cran de alignement flasque-corps
 Muesca de alineacion tapa-cuerpo
 Controlo de alinhamento da flange-corpo



Blades inspection hole
 Foro ispezione palette
 Trou d'inspection palettes
 Bohrung für Lamellen Prüfung
 Agujero de inspección paletas.
 Orifício inspeção de paletes

Vanes inspection hole with max wearing indicator
 Tacca per rilevamento usura palette
 Cran de relevé usure des palettes
 Ausrichtmarke für die Abnutzung der Palette
 Señal para indicación de desgaste de paletas
 Visor para inspeção e indicador de desgaste máximo das palhetas



Compression and thrust rings for bearings
 Anello di compensazione
 Bague de compensation
 Ausgleichsring
 Anillo de compensación
 Anilhas de compensação para rolamentos

Fitted in front and back side of the rotor, they allow to keep an axial centering even during heavy duty uses. They also contribute to reduce noise during pump running.

MEC/M-MA

9000 - 11000 - 13500

The version / M has been projected to be driven by cardan shaft at 540 rpm or 1000 rpm (MA)

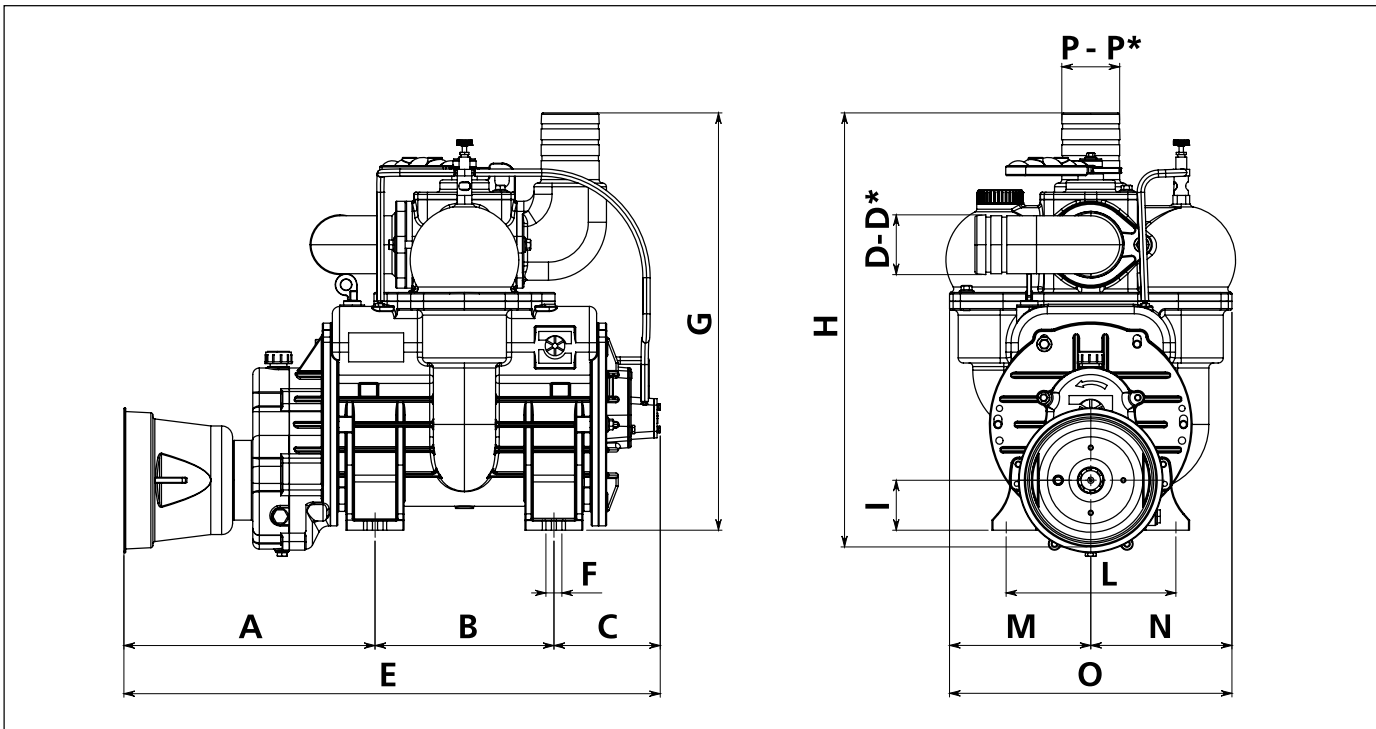
La versione / M è stata ideata per essere azionata tramite albero cardanico a 540 rpm o 1000 rpm (MA)

La version / M a été projetée pour être actionnée par un arbre à cardan 540 tpm o 1000 tpm (MA)

In der Version / M die Antriebswelle (Zapfwelle) wird über eine Kardanwelle zu 540 upm. oder 1000 upm betrieben (MA)

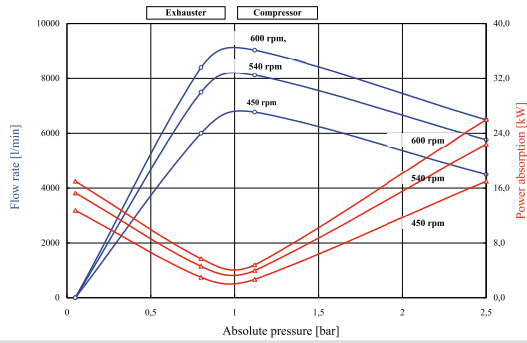
La version / M ha sido concebida para ser accionada por una transmisión cardan a 540 rpm o 1000 rpm según version (MA)

A versão / M foi projectada para funcionar com eixo de cardan a 540 rpm o 1000 rpm (MA)

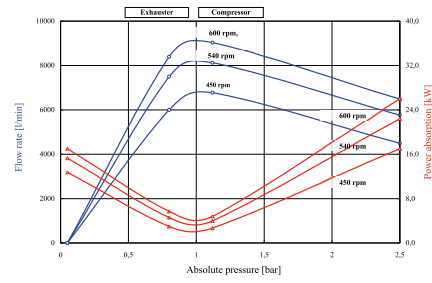


Article	A	B	C	D	D*	E	F	G	H	I	L	M	N	O	P	P*
MEC 9000 / M-MA	340	189	141	80	76-100	670	22	575	605	69	246	195	195	390	80	76-100
MEC 11000 / M-MA	346	247	147	80	76-100	740	22	575	605	69	246	195	195	390	80	76-100
MEC 13500 / M-MA	391	247	192	100	76-80	830	22	575	605	69	246	195	195	390	100	76-80

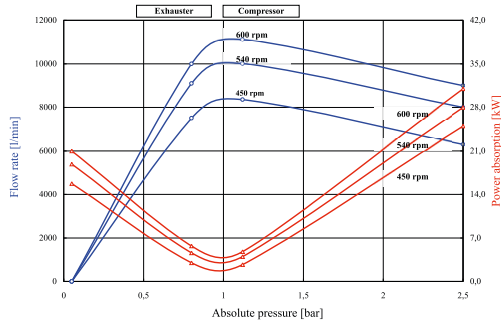
MEC 9000 M



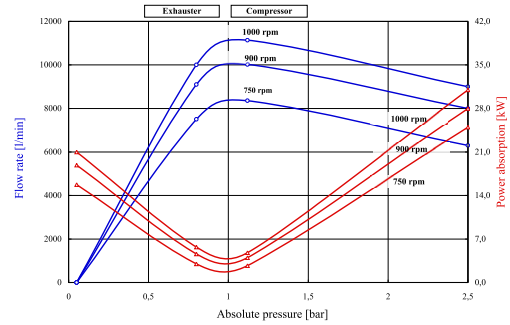
MEC 9000 MA



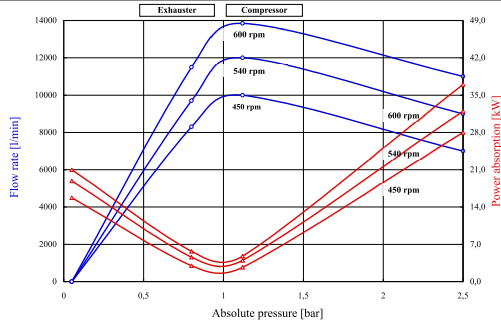
MEC 11000 M



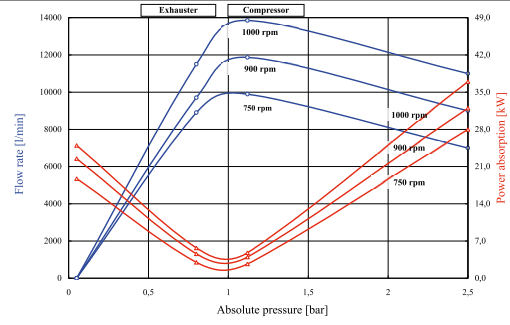
MEC 11000 MA



MEC 13500 M



MEC 13500 MA



DATI TECNICI (technical data / données techniques / technische Daten / Datos técnicos)		MEC 9000	MEC 11000	MEC 13500
Portata geometrica (Geometrical capacity / Débit géométrique / Geometrisch leistung / Caudal geométrico / Capacidade geométrico)	[l / min]	9.030	11.137	13.845
Regime di lavoro max / M (max rpm / tours maximum / max drehzahl / rpm max)	[rpm]	600	600	600
Regime di lavoro max / MA (max rpm / tours maximum / max drehzahl / rpm max)	[rpm]	1000	1000	1000
Pressione max Assoluta (Relativa) Max absolute(relative) pressure / pression max absolue (relative) / max absolut (relativ) druck / presión max absoluta (relativa)	[bar]	2.5 (1.5)	2.5 (1.5)	2.5 (1.5)
Depressione senza valvola regolazione vuoto installata (Vacuum without depression valve fitted / vide sans soupape de depression montee / vakuum ohne eingebaute unterdruckventil / depresión sin válvula de vacío incorporada)	[bar]	-0.95	-0.95	-0.95
Depressione con valvola regolazione vuoto installata (Vacuum with depression valve fitted / vide avec soupape de depression montee / vakuum mit eingebaute unterdruckventil / depresión con válvula de vacío incorporada)	[bar]	-0.80	-0.80	-0.80
Ass. potenza a vuoto max, 600 r.p.m. (power absorption per max vacuum, 600 rpm / absorption puissance pour vide maximum, 600 rpm / leistungsbedarf bei max vakuum 600 rpm / potencia absorbida max vacío, 600 rpm)	[kW]	17	21	25
Ass. potenza a vuoto max, 1000 r.p.m. (power absorption per max vacuum, 1000 rpm / absorption puissance pour vide maximum, 1000 rpm / leistungsbedarf bei max vakuum 1000 rpm / potencia absorbida max vacío, 1000 rpm)	[kW]	17	21	25
Ass. potenza a 2.5 bar assoluti, 600 r.p.m. (power absorption at 2.5 bar absolute, 600 rpm / absorption puissance a 2.5 bar absolute, 600 rpm / leistungsbedarf zu 2.5 bar absolute, 600 rpm / potencia absorbida a 2.5 bar absoluta, 600 rpm)	[kW]	26	31	37
Ass. potenza a 2.5 bar assoluti, 1000 r.p.m. (power absorption at 2.5 bar absolute, 1000 rpm / absorption puissance a 2.5 bar absolute, 1000 rpm / leistungsbedarf zu 2.5 absolute 1000 rpm / potencia absorbida a 2.5 bar absoluta, 1000 rpm)	[kW]	26	31	37
Peso netto (net weight / poids net / netto-gewicht / peso neto)	[Kg]	145	160	178

MEC/P

9000 - 11000 - 13500

The version / P is driven by pulleys and belts, particularly for application on truck.

La versione / P è azionata tramite puleggia e cinghie, in particolare per applicazioni su camion.

La version / P est actionnée par poulies et courroies, en particulier pour application sur camion.

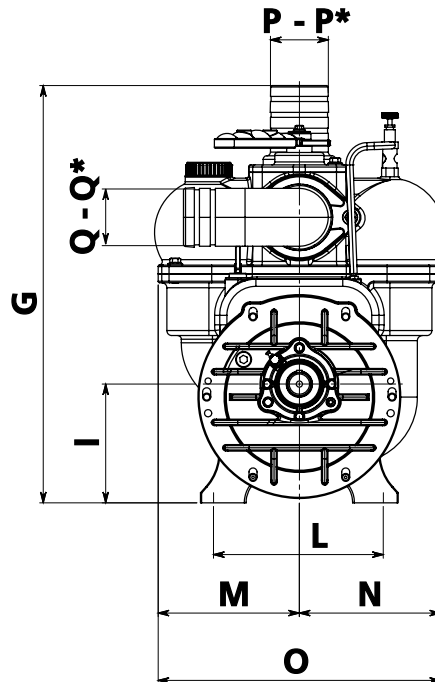
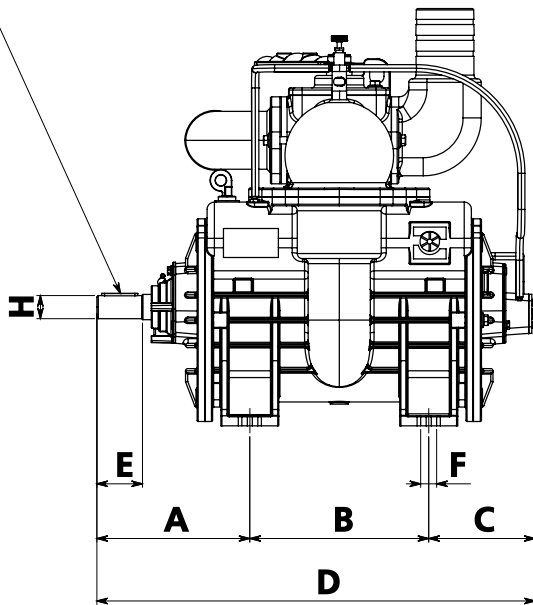
In der Version / P die Antriebswelle (Zapfwelle) wird über eine Riemenscheibe mit Riemen betrieben, besonders für Anwendungen auf Lkw.

La version / P ha sido concebida para ser accionada a través de polea, para aplicaciones sobre camión.

A versão / P é accionada por roldana e correias, especial para aplicações com camiões.

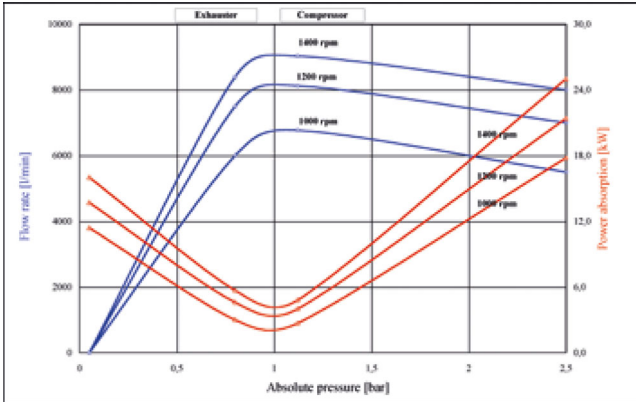


CHIAVETTA 8x7x50 UNI 6604

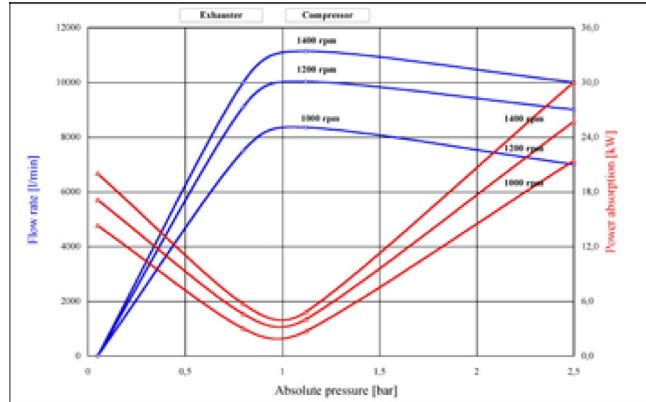


Article	A	B	C	D	E	F	G	H	I	L	M	N	O	P	P*	Q	Q*
MEC 9000 / P	205	189	141	535	63	22	575	32	164	246	195	195	390	80	76-100	80	76-100
MEC 11000 / P	211	247	147	605	63	22	575	32	164	246	195	195	390	80	76-100	80	76-100
MEC 13500 / P	256	247	192	695	63	22	575	32	164	246	195	195	390	100	76-80	100	76-80

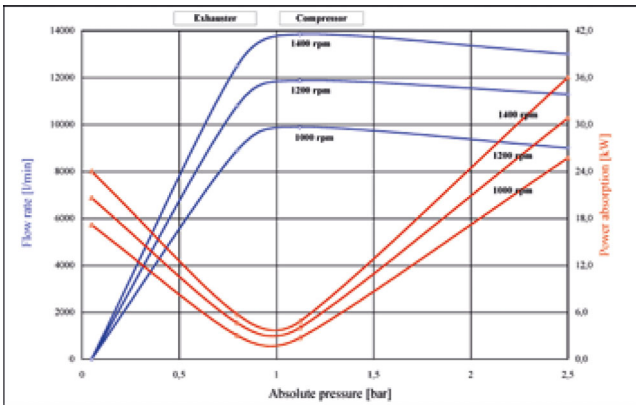
MEC 9000 P



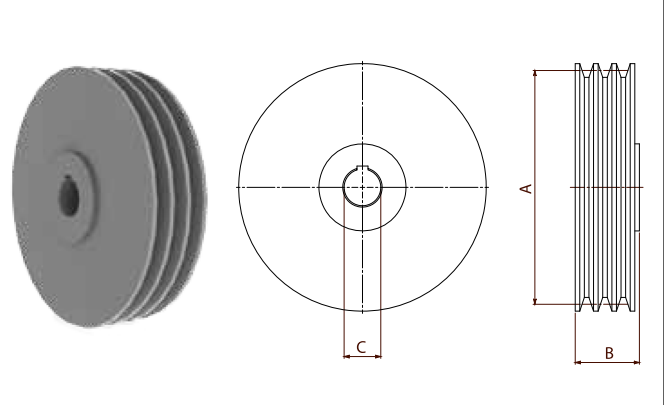
MEC 11000 P



MEC 13500 P



PULLEY FOR BATTIONI PUMP



Code	Model	A	B	C	Type throat	Number throat	Kg	Article
4010001032	MEC 9/11/13500	Ø 300	90	Ø 32	SPC	3	25	2009/C

DATI TECNICI (technical data / données techniques / technische Daten / Datos técnicos)		MEC 9000	MEC 11000	MEC 13500
Portata geometrica (Geometrical capacity / Débit géométrique / Geometrisch leistung / Caudal geométrico / Capacidade geométrica)	[l / min]	9.030	11.137	13.845
Regime di lavoro max / P (max rpm / tours maximum / max drehzahl / rpm max)	[rpm]	1400	1400	1400
Pressione max Assoluta (Relativa) Max absolute(relative) pressure / pression max absolue (relative) / max absolut (relativ) druck / presión max absoluta (relativa)	[bar]	2.5 (1.5)	2.5 (1.5)	2.5 (1.5)
Depressione senza valvola regolazione vuoto installata (Vacuum without depression valve fitted / vide sans soupape de depression montee / vakuum ohne eingebaute unterdruckventil / depresión sin válvula de vacío incorporada)	[bar]	-0.95	-0.95	-0.95
Depressione con valvola regolazione vuoto installata (Vacuum with depression valve fitted / vide avec soupape de depression montee / vakuum mit eingebaute unterdruckventil / depresión con válvula de vacío incorporada)	[bar]	-0.80	-0.80	-0.80
Ass. potenza a vuoto max, (power absorption per max vacuum / absorption puissance pour vide maximum / leistungsbedarf bei max vakuum / potencia absorbida max vacío)	[kW]	16	20	24
Ass. potenza a 2.5 bar assoluti, 1400 r.p.m. (power absorption at 2.5 bar absolute, 1400 rpm / absorption puissance a 2.5 bar absolute, 1400 rpm / leistungsbedarf zu 2.5 absolute 1400 rpm / potencia absorbida a 2.5 bar absoluta, 1400 rpm)	[kW]	25	30	36
Peso netto (net weight / poids net / netto-gewicht / peso neto)	[Kg]	131	146	164

MEC/D

9000 - 11000 - 13500



The version / D has been projected to be driven by cardan shaft at 1000 rpm.

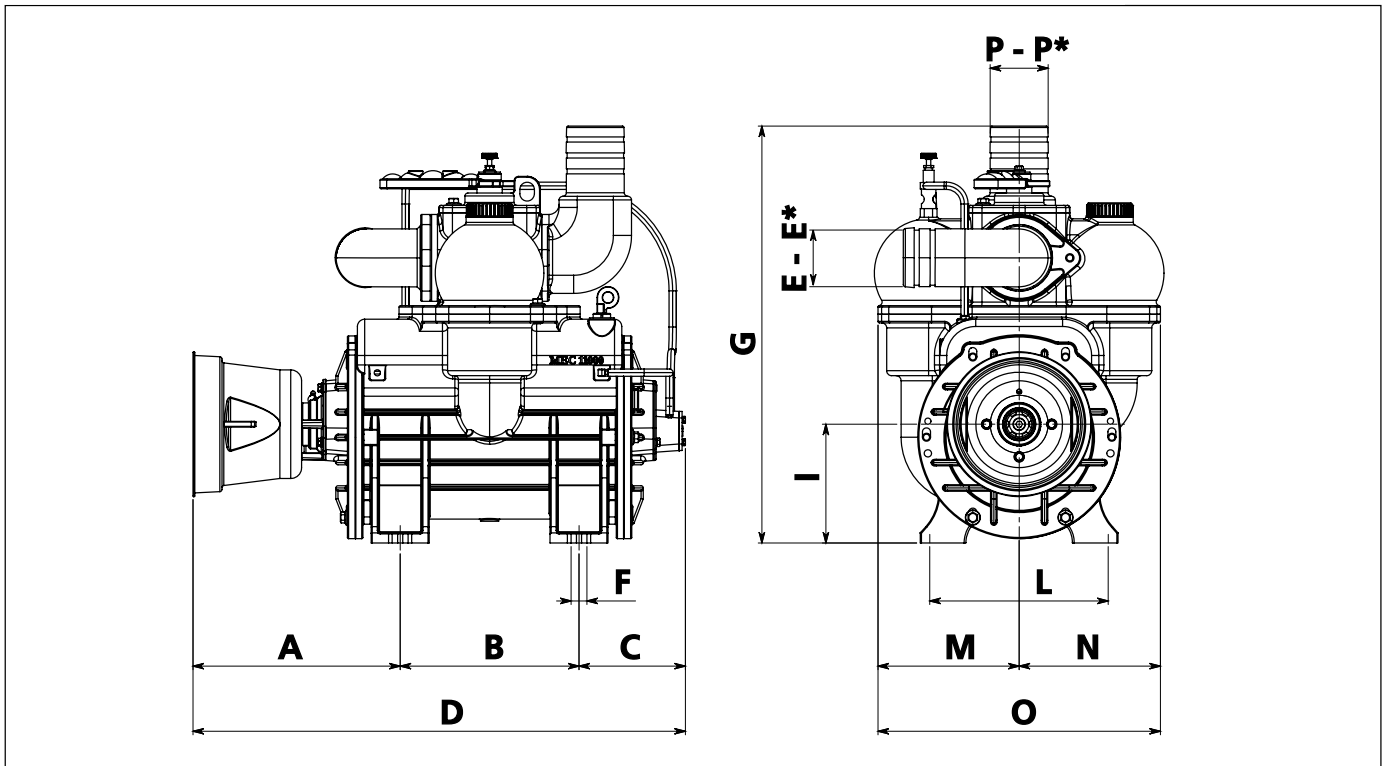
La versione / D è stata ideata per essere azionata tramite albero cardanico a 1000 rpm.

La version / D a été projetée pour être actionnée par un arbre à cardan 1000 tpm.

In der Version / D die Antriebswelle (Zapfwelle) wird über eine Kardanwelle zu 1000 upm. betrieben.

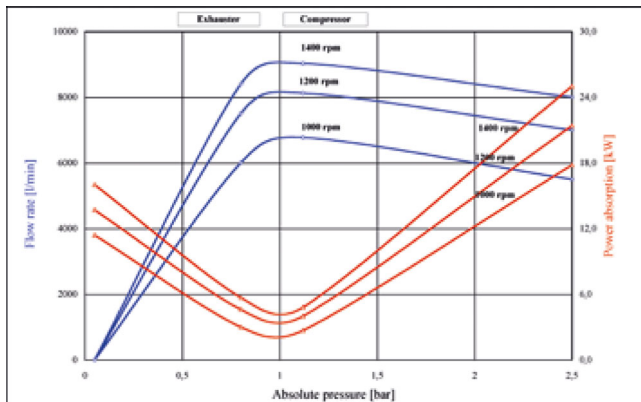
La version / D ha sido concebida para ser accionada a través una transmisión cardan a 1000 rpm

A versão / D foi projectada para funcionar com eixo de cardan a 1000 rpm.

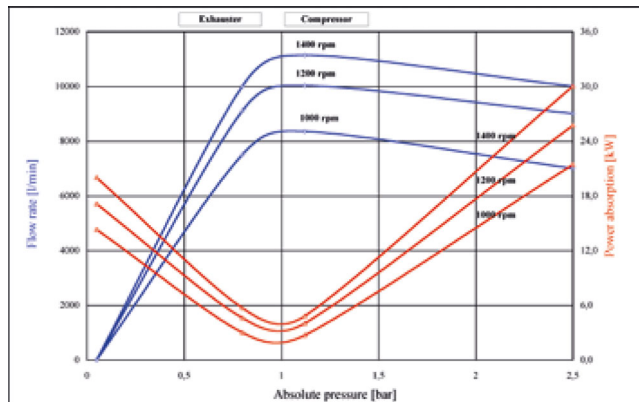


Article	A	B	C	D	E	E*	F	G	I	L	M	N	O	P	P*
MEC 9000 / D	280	189	141	610	80	76-100	22	575	164	246	195	195	390	80	76-100
MEC 11000 / D	286	247	147	680	80	76-100	22	575	164	246	195	195	390	80	76-100
MEC 13500 / D	331	247	192	770	100	76-80	22	575	164	246	195	195	390	100	76-80

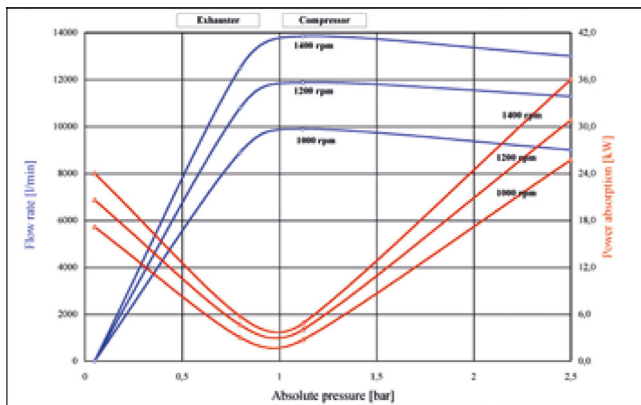
MEC 9000 D



MEC 11000 D



MEC 13500 D



DATI TECNICI (technical data / données techniques / technische Daten / Datos técnicos)		MEC 9000	MEC 11000	MEC 13500
Portata geometrica (Geometrical capacity / Débit géométrique / Geometrisch Leistung / Caudal geométrico / Capacidade geométrico)	[l / min]	9.030	11.137	13.845
Regime di lavoro max / D (max rpm / tours maximum / max drehzahl / rpm max)	[rpm]	1400	1400	1400
Pressione max Assoluta (Relativa) Max absolute(relative) pressure / pression max absolue (relative) / max absolut (relativ) druck / presión max absoluta (relativa)	[bar]	2.5 (1.5)	2.5 (1.5)	2.5 (1.5)
Depressione senza valvola regolazione vuoto installata (Vacuum without depression valve fitted / vide sans soupape de depression montee / vakuuum ohne eingebaute unterdruckventil / depresión sin válvula de vacío incorporada)	[bar]	-0.95	-0.95	-0.95
Depressione con valvola regolazione vuoto installata (Vacuum with depression valve fitted / vide avec soupape de depression montee / vakuuum mit eingebaute unterdruckventil / depresión con válvula de vacío incorporada)	[bar]	-0.80	-0.80	-0.80
Ass. potenza a vuoto max, (power absorption per max vacuum / absorption puissance pour vide maximum / leistungsbedarf bei max vakuuum / potencia absorbida max vacío)	[kW]	16	20	24
Ass. potenza a 2.5 bar assoluti, 1400 r.p.m. (power absorption at 2.5 bar absolute, 1400 rpm / absorption puissance a 2.5 bar absolute, 1400 rpm / leistungsbedarf zu 2.5 absolute 1400 rpm / potencia absorbida a 2.5 bar absoluta, 1400 rpm)	[kW]	25	30	36
Peso netto (net weight / poids net / netto-gewicht / peso neto)	[Kg]	132	147	165

MEC/H

9000 - 11000 - 13500

The version / H has been projected to be driven by hydraulic motor.

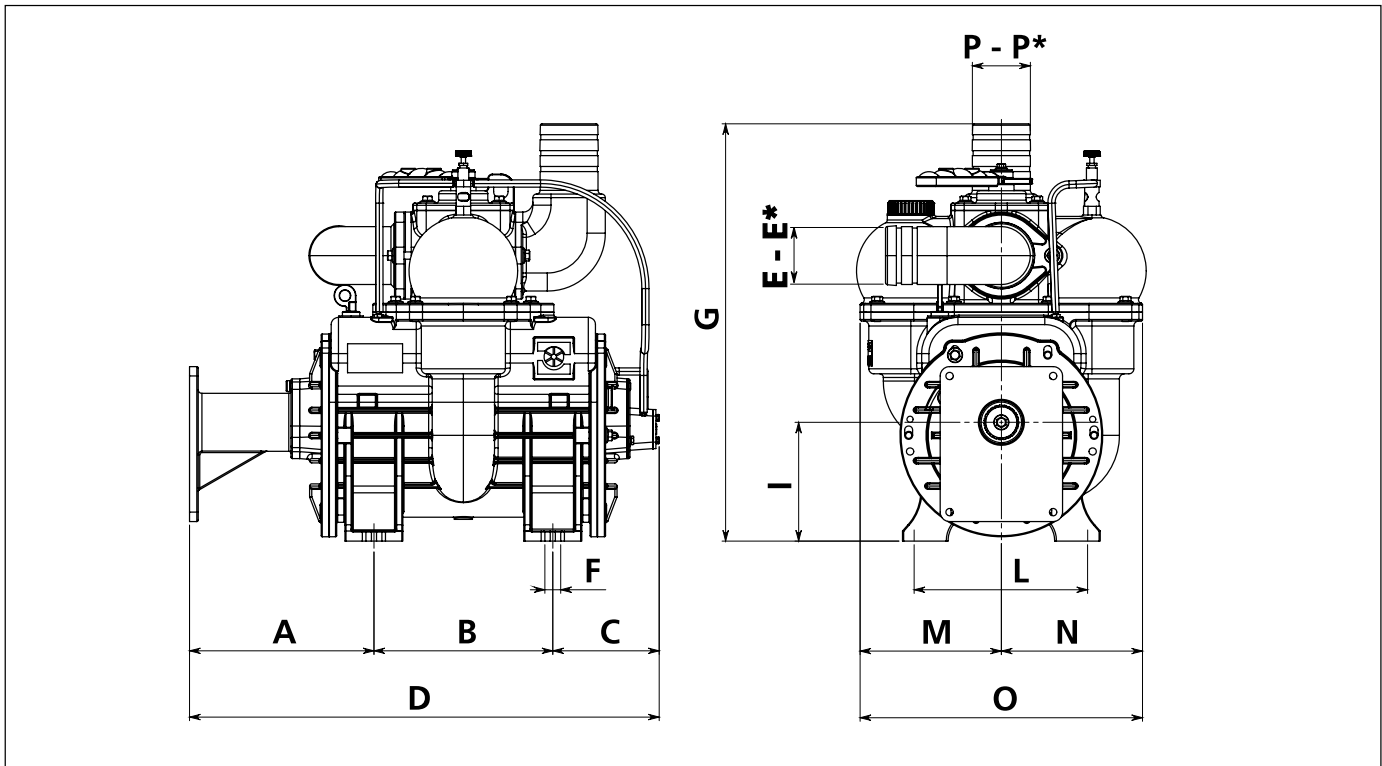
La versione / H è stata ideata per essere azionata tramite motore idraulico.

La version / H a été projetée pour être actionnée par un moteur hydraulique.

In der Version / H die Antriebswelle (Zapfwelle) wird über einen hydraulischen Zahnradmotor betrieben.

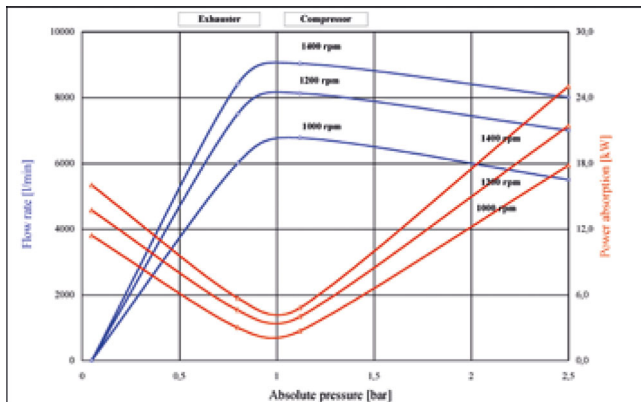
La version / H ha sido concebida para ser accionada a través de un motor hidráulico.

A versão / H foi projectada para funcionar com motor hidráulico.

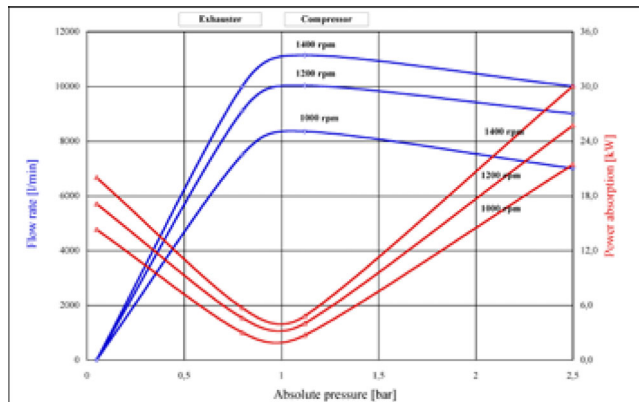


Article	A	B	C	D	E	E*	F	G	I	L	M	N	O	P	P*
MEC 9000 / H	247	189	141	577	80	76-100	22	575	164	246	195	195	390	80	76-100
MEC 11000 / H	254	247	147	648	80	76-100	22	575	164	246	195	195	390	80	76-100
MEC 13500 / H	299	247	192	738	100	76-80	22	575	164	246	195	195	390	100	76-80

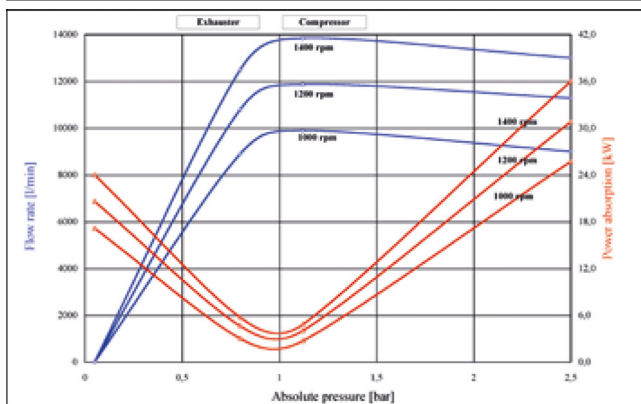
MEC 9000 H



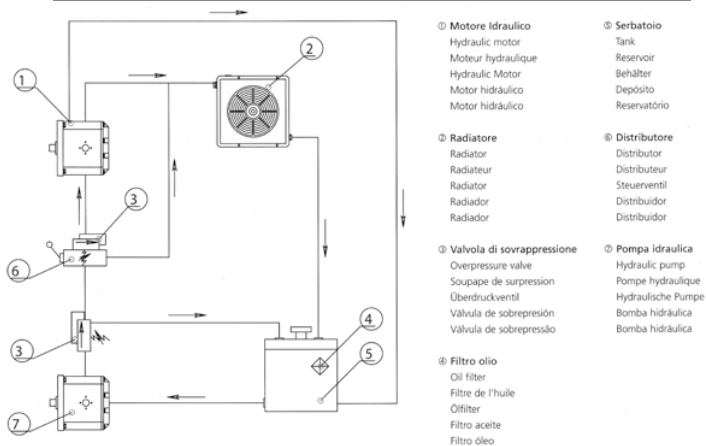
MEC 11000 H



MEC 13500 H



HYDRAULIC SYSTEM



Code	Hydraulic Engine Motore Idraulico	Rotary vanes pump	Max Working Pressure Pressione Max Di Esercizio	Capacity Portata l/min	R.P.M. Giri/min	Pressure Pressione	Hydraulic System Max Pressure Pressione Max Impianto Idraulico	Output Potenza Trasmessa	Torque Coppia (Nm)	Article
608020057	KM 30.51-S0	MEC 9000/H	1 bar	74.8	1400	155 bar	230 bar	16 kW	112	609/F
608020057	KM 30.51-S0	MEC 11000/H	1 bar	74.8	1400	223 bar	230 bar	23 kW	162	609/F
608020061	KM 40.87-S0	MEC 9000/H	1.5 bar	125	1400	145 bar	280 bar	25 kW	176	608/F
608020061	KM 40.87-S0	MEC 11000/H	1.5 bar	125	1400	174 bar	280 bar	30 kW	211	608/F
608020061	KM 40.87-S0	MEC 13500/H	1.5 bar	125	1400	209 bar	280 bar	36 kW	253	608/F

DATI TECNICI (technical data / données techniques / technische Daten / Datos técnicos)	MEC 9000	MEC 11000	MEC 13500	
Portata geometrica (Geometrical capacity / Débit géométrique / Geometrisch leistung / Caudal geométrico / Capacidade geométrico)	[l / min]	9.030	11.137	13.845
Regime di lavoro max / H (max rpm / tours maximum / max drehzahl / rpm max)	[rpm]	1400	1400	1400
Pressione max Assoluta (Relativa) Max absolute(relative) pressure / pression max absolue (relative) / max absolut (relativ) druck / presión max absoluta (relativa)	[bar]	2.5 (1.5)	2.5 (1.5)	2.5 (1.5)
Depressione senza valvola regolazione vuoto installata (Vacuum without depression valve fitted / vide sans soupape de depression montee / vakuu ohne eingebaute unterdruckventil / depresión sin válvula de vacío incorporada)	[bar]	-0.95	-0.95	-0.95
Depressione con valvola regolazione vuoto installata (Vacuum with depression valve fitted / vide avec soupape de depression montee / vakuu mit eingebaute unterdruckventil / depresión con válvula de vacío incorporada)	[bar]	-0.80	-0.80	-0.80
Ass. potenza a vuoto max, (power absorption per max vacuum / absorption puissance pour vide maximum / leistungsbeoarf bei max vakuu / potencia absorbida max vacío)	[kW]	16	20	24
Ass. potenza a 2.5 bar assoluti, 1400 r.p.m. (power absorption at 2.5 bar absolute, 1400 rpm / absorption puissance a 2.5 bar absolute, 1400 rpm / leistungsbeoarf zu 2.5 absolute 1400 rpm / potencia absorbida a 2.5 bar absoluta, 1400 rpm)	[kW]	25	30	36
Peso netto (net weight / poids net / netto-gewicht / peso neto)	[Kg]	140	155	173

MEC/M-MA S.C.

9000 - 11000 - 13500



The version S.C. has been projected to be used as compressor for empty hose reel irrigators.

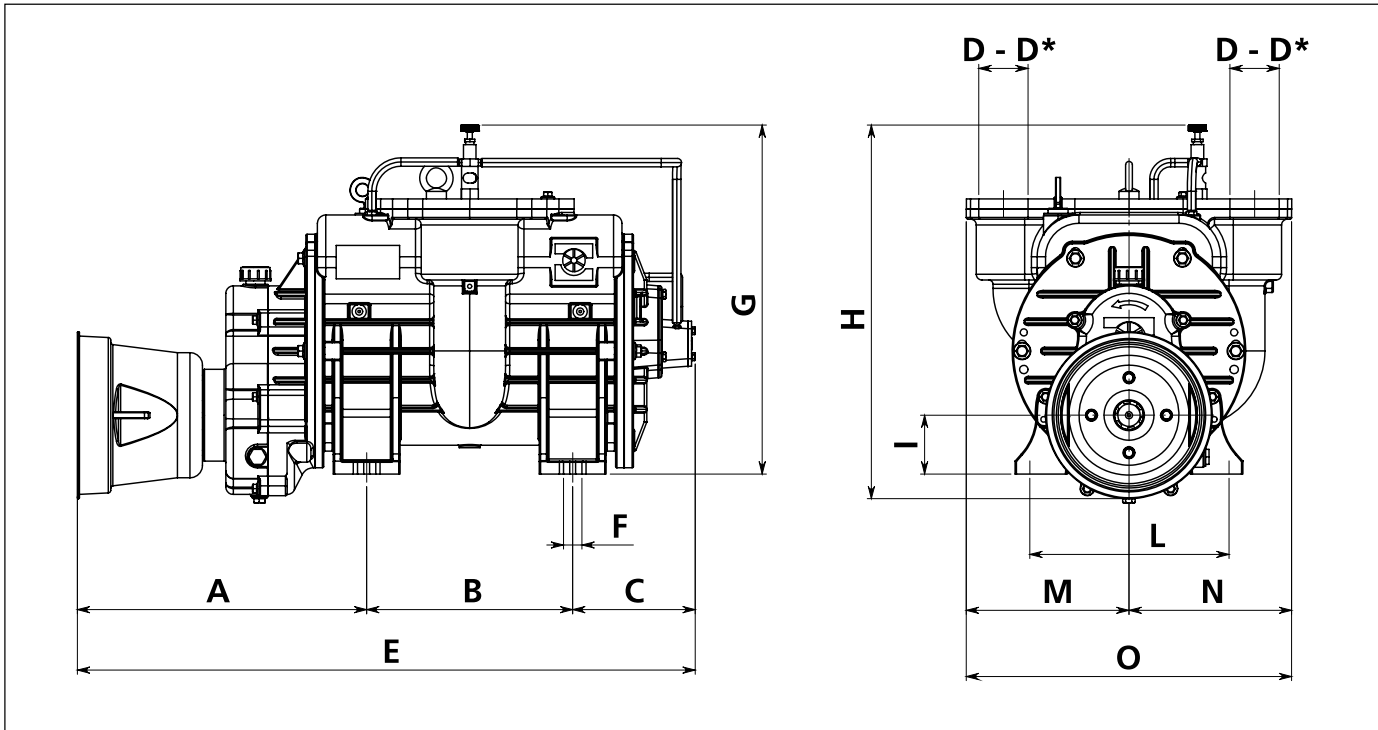
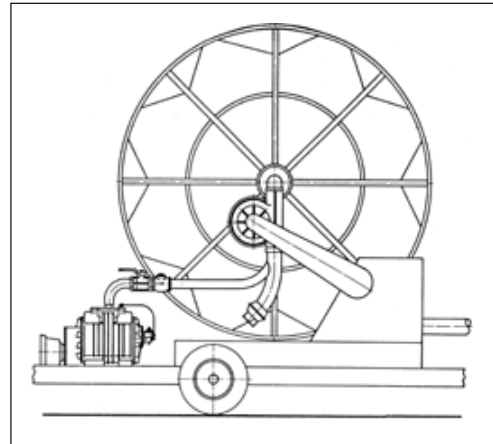
La versione S.C. è stato progettato per essere utilizzato come compressore per irrigatori.

La version S.C. a été conçu pour être utilisée comme compresseur pour enrouleurs.

Die Version S.C. projektiert wurde als Kompressor um Schlauchhaspel zu leeren.

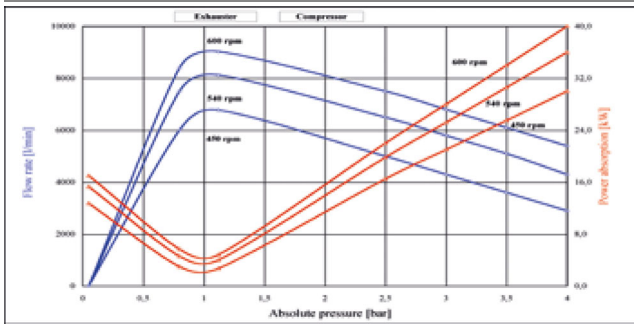
La versión S.C. se ha proyectado para ser utilizado como compresor para vaciado de tuberías de sistemas de riego.

A versão S.C. foi projetado para ser usado como compressor para irrigantes.

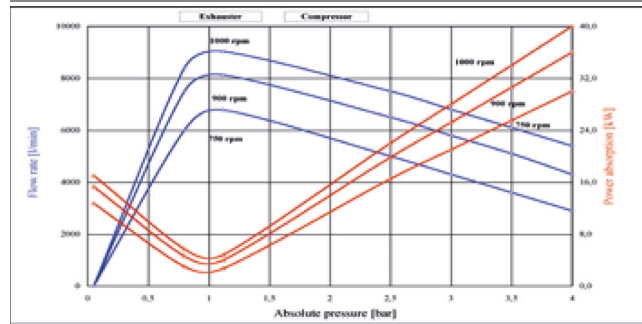


Article	A	B	C	D	D*	E	F	G	H	I	L	M	N	O
MEC 9000 / M-MA S.C.	340	189	141	2" GAS	2" 1/2 GAS	670	22	420	450	69	246	195	195	390
MEC 11000 / M-MA S.C.	346	247	147	2" 1/2 GAS	2" GAS	740	22	420	450	69	246	195	195	390
MEC 13500 / M-MA S.C.	391	247	192	2" 1/2 GAS	2" GAS	830	22	420	450	69	246	195	195	390

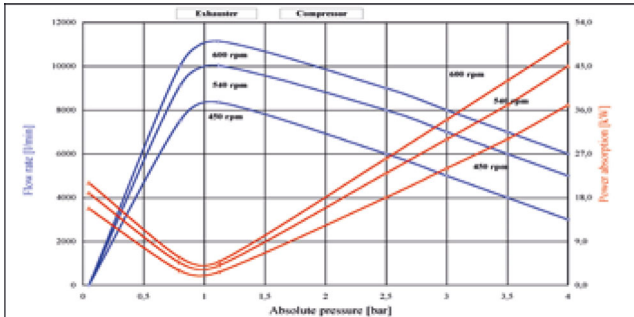
MEC 9000 M - S.C.



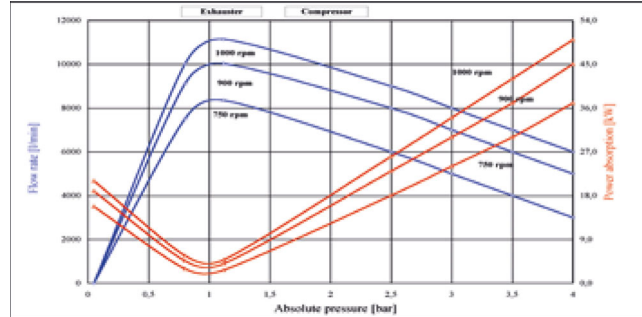
MEC 9000 MA - S.C.



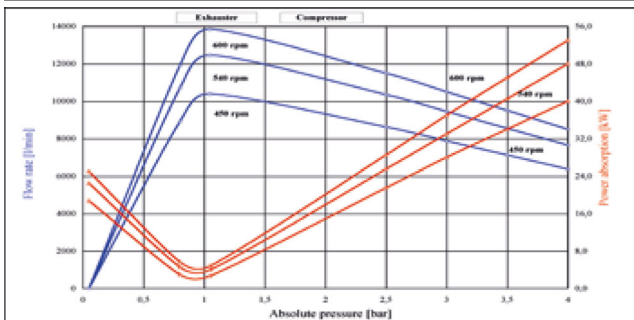
MEC 11000 M - S.C.



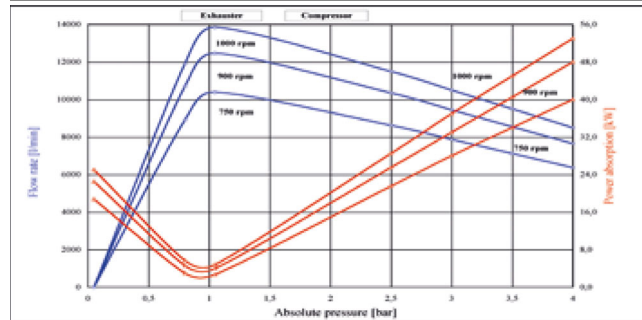
MEC 11000 MA - S.C.



MEC 13500 M - S.C.



MEC 13500 MA - S.C.



DATI TECNICI
(technical data / données techniques / technische Daten / Datos técnicos)

Portata geometrica
(Geometrical capacity / Débit géométrique / Geometrisch leistung / Caudal geométrico / Capacidade geométrico)

MEC 9000 MEC 11000 MEC 13500

[l / min] 9.030 11.137 13.845

Regime di lavoro max / M
(max rpm / tours maximum / max drehzahl / rpm max)

[rpm] 600 600 600

Regime di lavoro max / MA
(max rpm / tours maximum / max drehzahl / rpm max)

[rpm] 1000 1000 1000

Pressione max Assoluta (Relativa)
Max absolute(relative) pressure / pression max absolue (relative) / max absolut (relativ) druck / presión max absoluta (relativa)

[bar] 4 (3) 4 (3) 4 (3)

Ass. potenza a 4 bar assoluti, 600 r.p.m.
(power absorption at 4 bar absolute, 600 rpm / absorption puissance a 4 bar absolute, 600 rpm / leistungsbedarf zu 4 bar absolute, 600 rpm / potencia absorbida a 4 bar absoluta, 600 rpm)

[kW] 46 50 54

Ass. potenza a 4 bar assoluti, 1000 r.p.m.
(power absorption at 4 bar absolute, 1000 rpm / absorption puissance a 4 bar absolute, 1000 rpm / leistungsbedarf zu 4 absolute 1000 rpm / potencia absorbida a 4 bar absoluta, 1000 rpm)

[kW] 46 50 54

Peso netto (net weight / poids net / netto-gewicht / peso neto)

[Kg] 118 133 151

VERSIONS

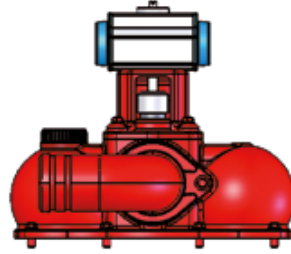
versioni / versions / Versionen



MEC BALLAST 65% vacuum in continuous work
65% di vuoto in servizio continuo
65% vide pendant travail continu
65% Vakuum bei andauernder Arbeit
Trabajo continuo en el vacío del 65%
Trabalho contínuo no vácuo de 65%

ON REQUEST

A domanda / Sur demande / Auf Anfrage
A petición / Por encomenda



Code 608020085: MEC 9000/11000/13500

PNEUMATIC REVOLVING CYLINDER

Cilindro rotativo pneumatico
Cylindre rotatif pneumatique
Pneumatischer Schaltungszylinder
Cilindro rotativo neumático
Cilindro rotativo pneumático



Code 5090000078: MEC 9000/11000/13500

HYDRAULIC REVOLVING CYLINDER

Cilindro rotativo idraulico
Cylindre rotatif hydraulique
Hydraulischer Schaltungszylinder
Cilindro rotativo hidráulico
Cilindro rotativo hidráulico

ON REQUEST

A domanda / Sur demande / Auf Anfrage
A petición / Por encomenda



Code 6080200176: MEC 9000/11000/13500

HYDRAULIC CYLINDER

Cilindro idraulico / Cylindre hydraulique
Hydraulischer zylinder / Cilindro hidráulico
Cilindro hidráulico



Code 6080200163: MEC 9000/11000/13500

LEVER FOR PUMP UNI EN 707

Cilindro Leva per pompe uni EN 707
Lever pompe uni EN 707
Hebel pump uni EN 707



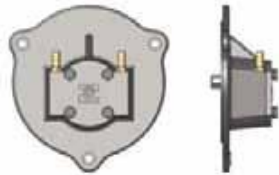
Code 6080200188: MEC 9000/11000/13500 DX L.F.
Code 6080200189: MEC 9000/11000/13500 SX L.F.
Code 6080200190: MEC 9000/11000/13500 DX L.A.
Code 6080200191: MEC 9000/11000/13500 SX L.A.

KIT FOR SIDE OIL TANK

Kit serbatoio olio laterale
kit pour réservoir latéral de l'huile
Seitenöltank kit
kit depósito aceite lateral

LUBRICATION SYSTEM MEC 9000 / 11000 / 13500

Sistema di lubrificazione / Système de lubrification
Schmierungssystem / Sistema de lubricación / Sistema di lubrificação



FORCED AS SERIES

Forzata di serie
Forcée de série
Druckschmierung als Serie
Forza da de serie
Forçada de série



AUTOMATIC ON REQUEST

Automatica a richiesta
Automatique sur demande
Automatische auf Anfrage
Automática, bajo pedido
Automática por encomenda

FITTING

(Accessori / Accessoires / Zubehoerteilen)



Code 6100200025: MEC 9000/11000
Code 6100200026: MEC 13500
Code 6100200027: MEC 9000/11000 (STAINLESS STEEL BALL)
Code 6100200028: MEC 13500 (STAINLESS STEEL BALL)

PRIMARY SHUT-OFF VALVE (BPT-BPU)

Valvola primaria / Soupape primaire /
Primärsventil / Válvula primaria / Válvula primaria



Code 6100200021: MEC 9000/11000
Code 6100200022: MEC 13500

SECONDARY SHUT-OFF VALVE (BPR-BPS)

Valvola Secondaria / Soupape secondaire /
Sekundärsventil / Válvula secundaria / Válvula secundária



Code 5090000065: MEC 9000/11000
Code 5090000066: MEC 13500

SILENCER

Silenziatore
silencieux
Schalldämpfer

FITTINGS

(Accessori / Accessoires / Zubehorteilen)



Code 5090000025: MEC 9000/11000
Code 5090000026: MEC 13500



Code 5090000046: MEC 9000/11000
Code 5090000047: MEC 13500



Code 5090000061: MEC 9000/11000
Code 5090000062: MEC 13500

FILTER - SILENCER

Filtro silenziatore / Filtre - silencieux / Filter - Schalldämpfer
Filtro - Silenciador / Filtro - Supressor do ruído

PREFILTER FOR SILENCER

Prefiltro per silenziatore / Prefiltre pour silencieux / Zyklon

RAIN CAPS

Cappellotto parapiovra / Couverture / Regenkappen



Code 5090000069: MEC 9000 / 11000
Code 5090000079: MEC 13500



Code 6080200156: Ø 200
Code 6080200165: Ø 250



Code 6080200134: Ø 150 MANUAL
Code 6080200135: Ø 200 MANUAL
Code 6080200136: Ø 150 HYDRAULIC
Code 6080200137: Ø 200 HYDRAULIC
Code 6080200142: Ø 150 PNEUMATIC
Code 6080200143: Ø 200 PNEUMATIC

FINAL AIR FILTER

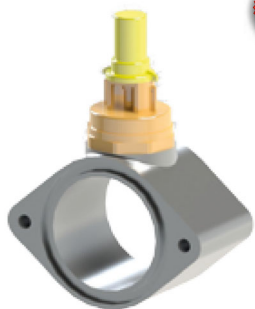
Filtro aria finale / Filtro aria finale
Filtre a air final / Trockenluftfilter final

HYDRAULIC SWIVEL JOINT

Giunto girevole idraulico / Rotule hydraulique /
Hydraulische drehbare Kupplung

BPP KNIFE GATE VALVE

Version:
Lever / Leva
Hydraulic cylinder / Cilindro idraulico
Pneumatic cylinder / Cilindro pneumático



Code 6080200181: MEC 9000 / 11000 / 13500



Code 5100200012: MEC 9000 / 11000 / 13500



Code 5100200011: MEC 9000 / 11000 / 13500

DEPRESSION VALVE KIT FOR SIDE OUTLETS MANIFOLD

kit porta valvola regolazione vuoto per collettore uscite laterali
kit porte-soupape réglage du vide pour collecteur sorties latérales
vakuumregelung roehrenfassungskit fuer seitenausgaengekollektor
kit porta válvula de regulación de vacío para colector salidas laterales

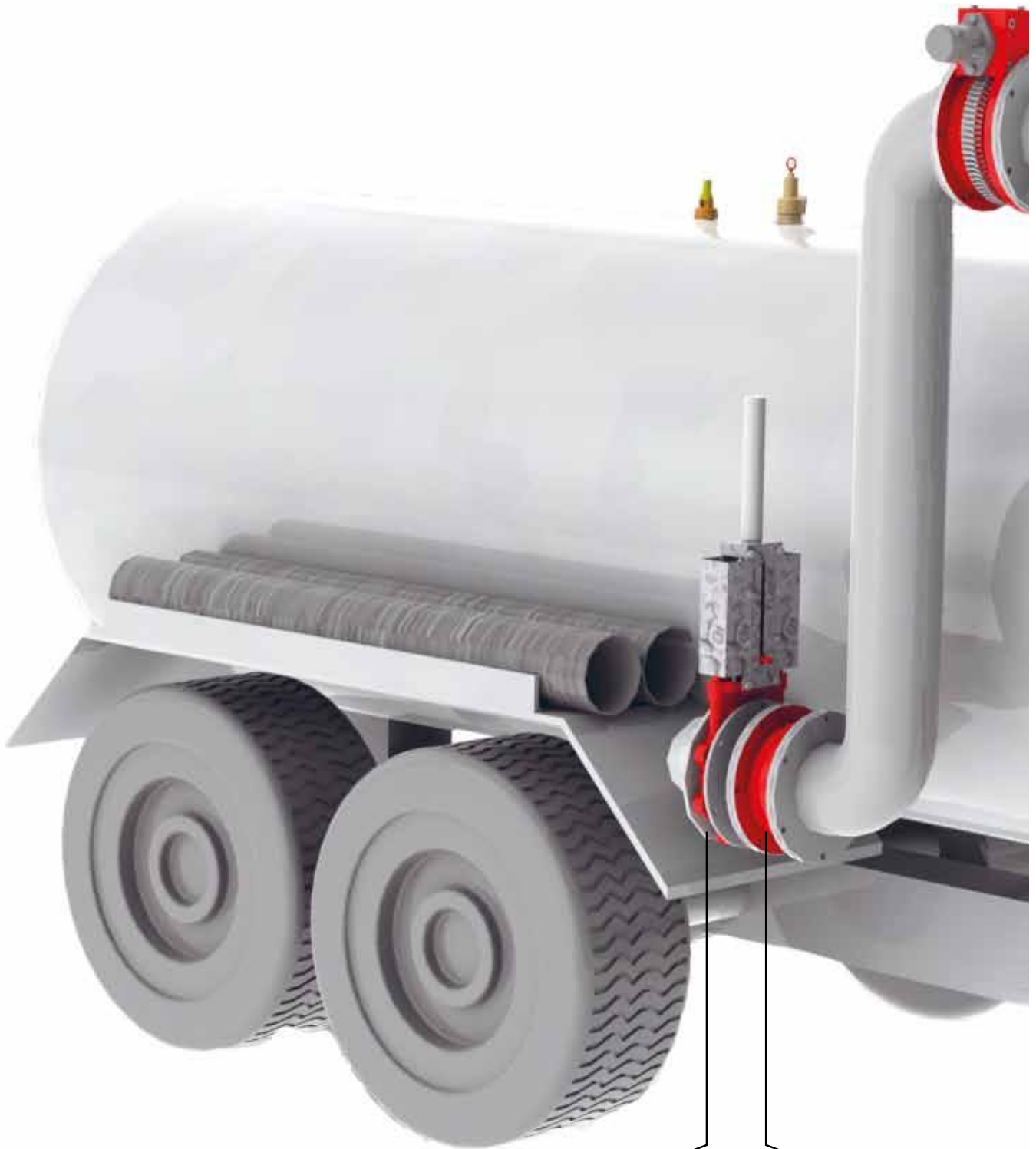
DEPRESSION VALVE NOT CALIBRATED 1" 1/2

Valvola di regolazione vuoto non tarata /
soupape de depression pas tarée /
unterdruckventil nicht geeicht

OVERPRESSURE VALVE 2"

Valvola sovrappressione / Soupape de surpression
Überdruckventil / Válvula de sobrepresión
Válvula de sobrepressão

All specifications are subject to change without notice.
Le specifiche sono soggette a cambiamento senza preavviso.
Les caractéristiques techniques peuvent être modifiées à tout moment et sans préavis.
Die Spezifikationen können ohne Vorankündigung geändert werden.



STEM GATE

SARACINESCA

HYDRAULIC SWIVEL JOINT

GIUNTO GIREVOLE MOTORIZZATO

PRIMARY VALVE

VALVOLA PRIMARIA

SECONDARY VALVE

VALVOLA SECONDARIA

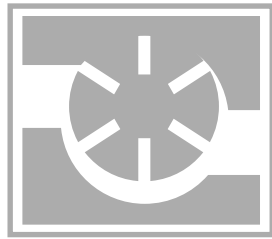
FILTER-SILENCER

SILENZIATORE CON FILTRO

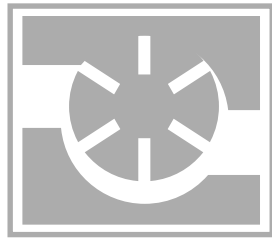
SWIVEL JOINT

GIUNTO GIREVOLE





Battioni®
Pagani
Pompe



Battioni®
Pagani
Pompe



**Battioni®
Pagani
Pompe**

Battioni Pagani Pompe S.p.A.

Via Cav. Enzo Ferrari, 2
43058 Ramoscello di Sorbolo (PR) - Italy

Ph. +39 0521 663203

Fax +39 0521 663206

www.battionipaganipompe.it

info@battionipaganipompe.it