



## MiniPlus FK06

Filter combination

### APPLICATION

MiniPlus FK06 rinsable filter combinations ensure a continuous supply of filtered water. The fine filter prevents the ingress of foreign bodies, for example rust particles, strands of hemp and grains of sand and thus reduces the probability of corrosion. The accumulation of foreign particles in the base of the filter bowl can be easily removed by rinsing the filter. The pressure reducing valve prevents over-pressure damage and reduces the water consumption. The appliances correspond to DIN/DVGW requirements. Compact in size, these filters were designed to fit where space is limited.

### APPROVALS

- DVGW

### SPECIAL FEATURES

- The set pressure is directly indicated on the set point scale
- The adjustment spring is not in contact with the drinking water
- The valve insert is of high-quality synthetic material and can be fully exchanged
- Filtered water supplied even during reverse rinsing
- Inlet pressure balancing – no influence on outlet pressure by fluctuating inlet pressure
- Shock resistant clear synthetic material filter bowl enables easy checking of filter contamination
- Filter and complete filter bowl are replaceable
- All materials are ACS approved
- All materials are KTW approved
- Approved by TÜV LGA for low noise, Group 1 without limitations

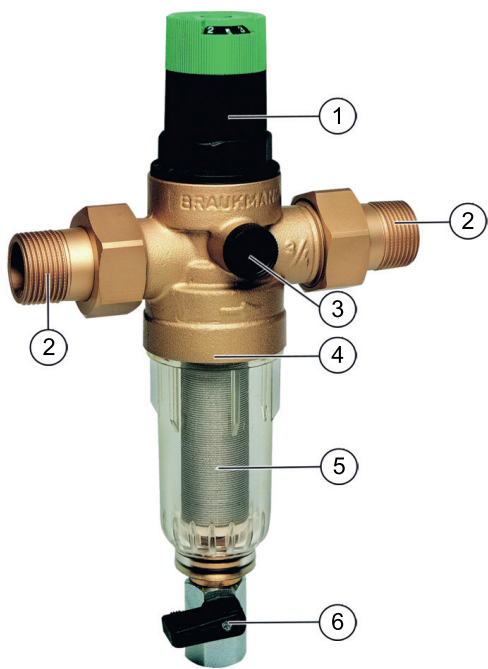


### TECHNICAL DATA

<b>Media</b>	
Medium:	Drinking water
<b>Connections/Sizes</b>	
Connection sizes:	1/2" - 1 1/4"
<b>Pressure values</b>	
Max. operating pressure:	16.0 bar
Inlet pressure:	max. 16.0 bar
Outlet pressure:	1.5 - 6.0 bar
<b>Operating temperatures</b>	
Max. operating temperature medium:	40 °C
<b>Specifications</b>	
Installation position:	Horizontal with filter bowl downwards

Note: The filter is constructed for drinking water installations. In case of a process water application the filter has to be proven individually.

## CONSTRUCTION

Overview	Components	Materials	
	<b>1</b>	Spring bonnet with adjustment knob and setting scale	High-quality synthetic material
	<b>2</b>	Threaded connections	Brass
	<b>3</b>	Housing with pressure gauge connections on both sides	Dezincification-resistant brass
	<b>4</b>	Pressure gauge not included (see accessories)	-
	<b>5</b>	Fine filter in clear filter bowl	Stainless steel, shock-resistant, transparent synthetic material filter bowl
	<b>6</b>	Ball valve	Brass (Ball Valve body), Stainless steel (ball), Plastic (handle)
<b>Not depicted components:</b>			
	Valve insert complete with diaphragm and valve seat	High-quality synthetic material, fibre-reinforced NBR diaphragm	
	Adjustment spring	Spring steel	
	Seals	NBR	
	Double wring wrench	Plastic	

## METHOD OF OPERATION

The filter combination integrates a pressure reducing valve and a rinsable fine filter cartridge in one appliance.

During normal operation, water flows through the filter mesh to the body outlet. To rinse the filter, the ball valve is opened which discharges the dirt particles. A continuous supply of filtered water is available also during the rinse cycle.

The integrated pressure-reducing valve functions according to the force comparison principle. This means, in the pressure-free state, the spring pushes downwards and the valve opens. If pressure builds up in the pressure-reducing valve of the downstream line, this acts on the membrane in a way that closes against the spring force. Pressure fluctuations on the front side do not influence the back pressure.

## TRANSPORTATION AND STORAGE

Keep parts in their original packaging and unpack them shortly before use.

The following parameters apply during transportation and storage:

Parameter	Value
Environment:	clean, dry and dust free
Min. ambient temperature:	5 °C
Max. ambient temperature:	55 °C
Min. ambient relative humidity:	25 % *
Max. ambient relative humidity:	85 % *

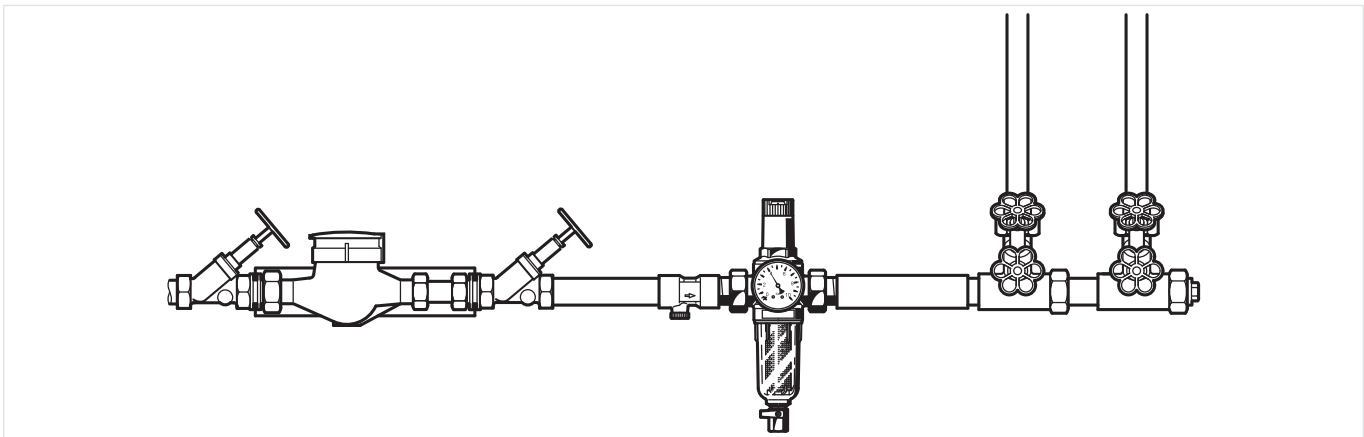
\*non condensing

## INSTALLATION GUIDELINES

### Setup requirements

- Install in horizontal pipework with filter bowl downwards
  - This position ensures optimum filter efficiency
- Install shut-off valves
- These filters are armatures which need to be maintained regularly
- Ensure good access
  - Degree of contamination can be easily seen with clear filter bowl
  - Simplifies maintenance and inspection
- The installation location should be protected against frost
- Related to the EN 806-2 it is recommended to install the filter immediately after the water meter
- In order to avoid flooding, it is recommended to arrange a permanent, professionally dimensioned wastewater connection

**Installation Example**

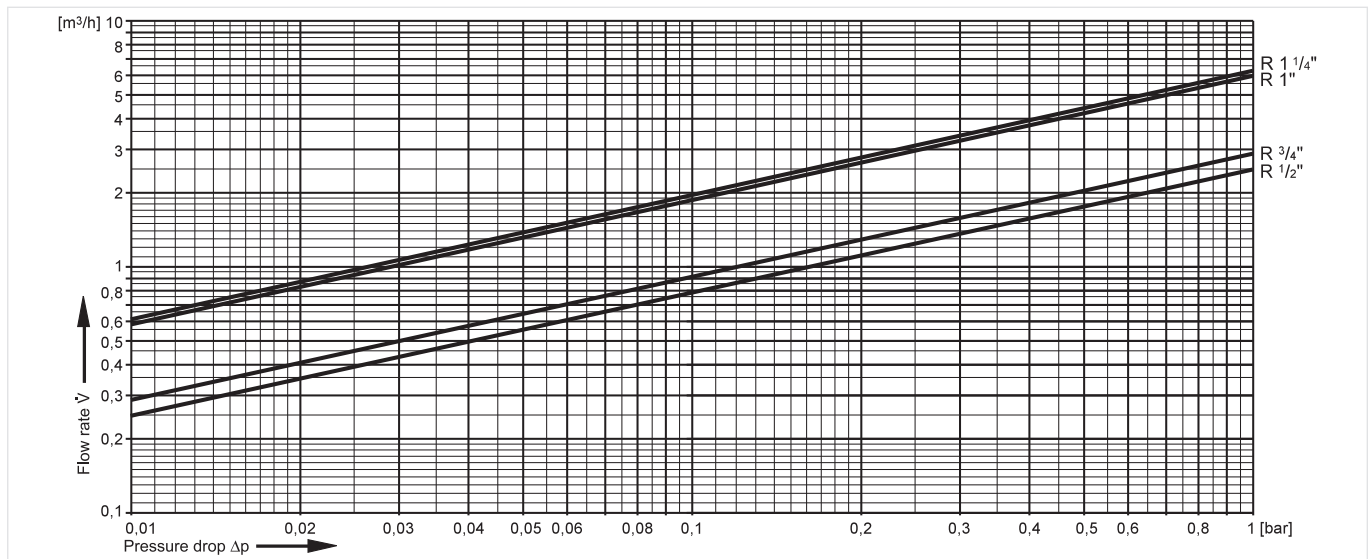


**TECHNICAL CHARACTERISTICS**

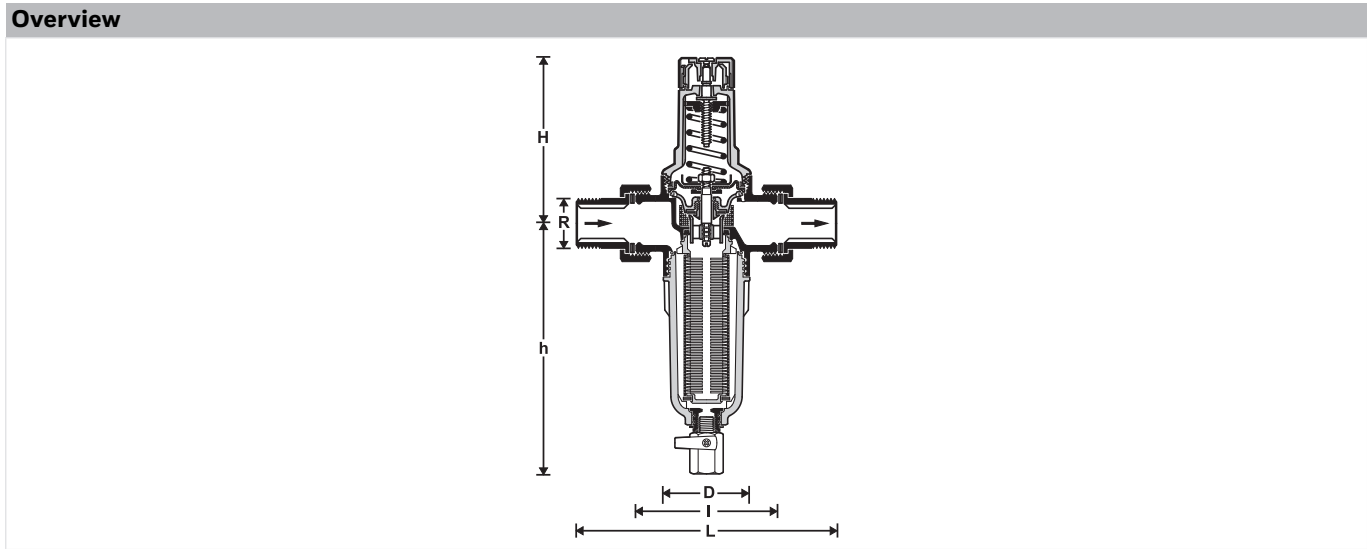
**kvs-Values**

Connection sizes:	15	20	25	32
k <sub>VS</sub> -value (m <sup>3</sup> /h):	2.5	2.9	6.0	6.2

**Pressure drop characteristics**



## DIMENSIONS



Parameter	Values				
Connection sizes:	R	1/2"	3/4"	1"	1 1/4"
Nominal size diameter:	DN	15	20	25	32
Dimensions:	L	140	160	180	197
	I	80	90	100	105
	H	89	89	111	111
	h	156	156	180	180
	D	54	54	61	61
Weight:	kg	0.7	1.0	1.5	1.7
DVGW registration number:		NW-9311CM0410			-

Note: All dimensions in mm unless stated otherwise.

## ORDERING INFORMATION

The following tables contain all the information you need to make an order of an item of your choice. When ordering, please always state the type, the ordering or the part number.

### Options

The filter combination is available in the following sizes: 1/2", 3/4", 1" and 1 1/4".




- standard
- not available

		FK06-...AA
Connection type:	Threaded union connectors, filter mesh size 100 µm	•

Note: ... = space holder for connection size

Note: Ordering number example for 1" and type AA valve: FK06-1AA

**Accessories**

	Description	Dimension	Part No.
	<b>M07M Pressure gauge</b>	Housing diameter 63 mm, rear connection thread G 1/4"	
	Range: 0 - 4 bar		M07M-A4
	Range: 0 - 10 bar		M07M-A10
	Range: 0 - 16 bar		M07M-A16
	Range: 0 - 25 bar		M07M-A25
	<b>ZR06F Double ring wrench</b>	For removing filter bowl	
		1/2" - 1 1/4"	ZR06F
	<b>VST06B Connection set</b>	Solder connections	
		1/2"	VST06-1/2B
		3/4"	VST06-3/4B
		1"	VST06-1B
		1 1/4"	VST06-1 1/4B

**Spare Parts**

MiniPlus FK06 Filter Combinations from 2000 onwards

Overview	Description	Dimension	Part No.	
	<b>1 Spring bonnet complete</b>			
		1/2" + 3/4"	0901515	
		1" + 1 1/4"	0901516	
	<b>2 Valve insert complete (without filter)</b>			
		1/2" + 3/4"	D06FA-1/2	
		1" + 1/4"	D06FA-1B	
	<b>3 Union seal washer (10 pcs.)</b>			
		1/2"	0901443	
		3/4"	0901444	
		1"	0901445	
		1 1/4"	0901446	
	<b>4 Blanking plug with O-ring R1/4" (5 pcs.)</b>			
				S06K-1/4
	<b>5 Clear filter bowl with sieve 100 µm and mesh carrier</b>			
		1/2" + 3/4"	KF06-1/2A	
		1" + 1 1/4"	KF06-1A	
	<b>6 O-ring set for mesh carrier (10 pcs.)</b>			
		1" + 1 1/4"	0903128	
		1/2" + 3/4"	0903127	
	<b>7 Replacement filter insert 100 µm (5 pcs.)</b>			
	100 µm	1/2" - 3/4"	AS06-1/2A	
	100 µm	1" - 1 1/4"	AS06-1A	
	<b>Replacement filter insert 50 µm (5 pcs.)</b>			
	50 µm	1/2" - 3/4"	AS06-1/2C	
	50 µm	1" - 1 1/4"	AS06-1C	
	<b>8 O-ring set for filter bowl (10 pcs.)</b>			
	1/2" + 3/4"	0901246		
	1" + 1 1/4"	0901499		
<b>9 Connection set threaded connection</b>				
	1/2"	VST06-1/2A		
	3/4"	VST06-3/4A		
	1"	VST06-1A		
	1 1/4"	VST06-11/4A		

**For more information**

[homecomfort.resideo.com/europe](http://homecomfort.resideo.com/europe)



Ademco 1 GmbH  
 Hardhofweg  
 74821 MOSBACH  
 GERMANY  
 Phone: +49 6261 810  
 Fax: +49 6261 81309

Manufactured for and on behalf of the  
 Pittway Sàrl, La Pièce 4, 1180 Rolle, Switzerland  
 by its Authorised Representative Ademco 1 GmbH  
 EN0H-1126GE23 R0219  
 Subject to change  
 © 2019 Resideo Technologies, Inc.  
 The Honeywell Home trademark is used under  
 license from Honeywell International Inc.

