
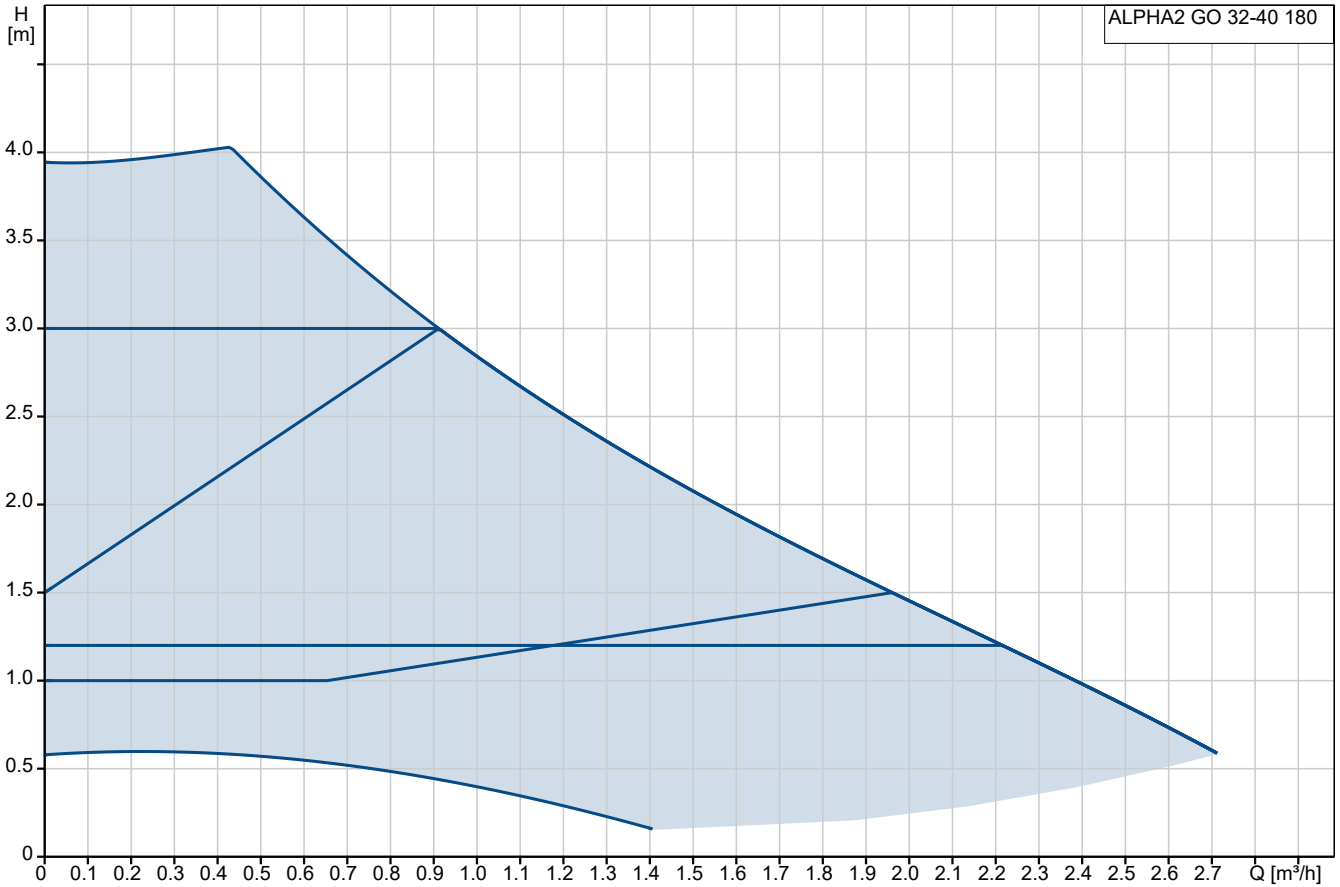


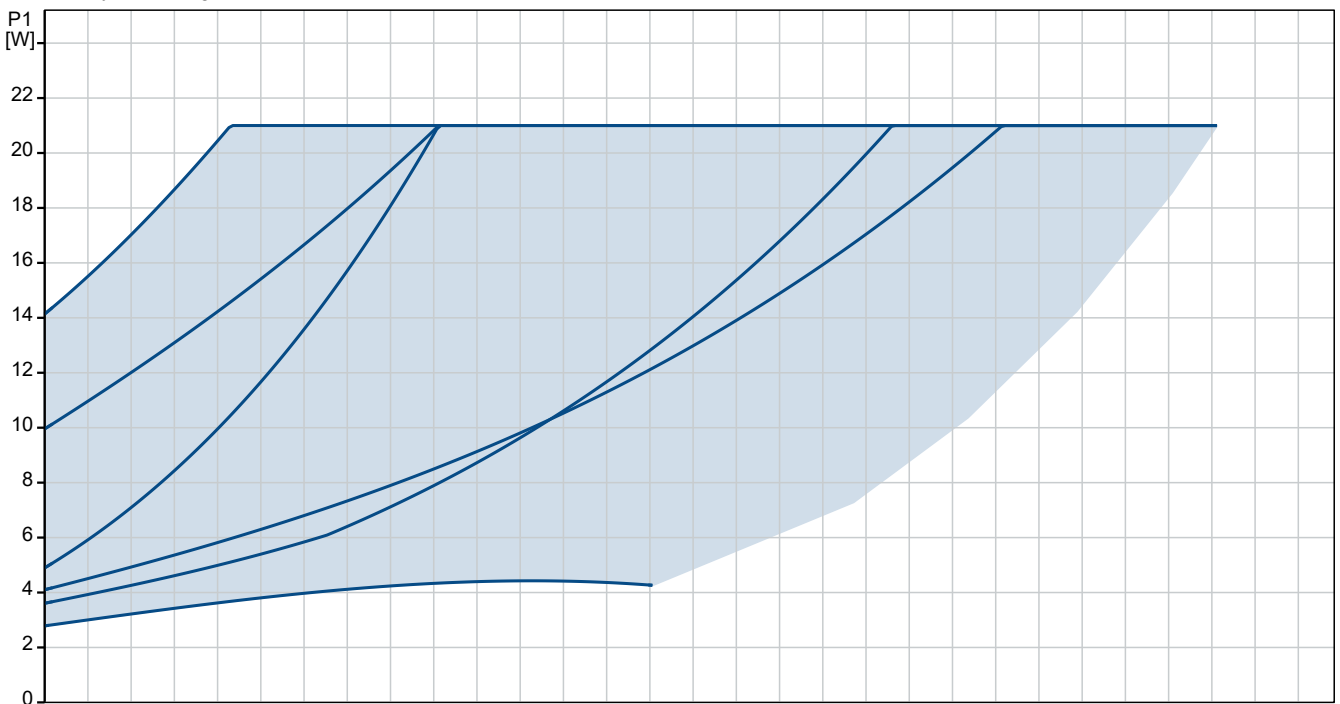
Qty.	Description
1	<p data-bbox="204 383 459 405"><b>ALPHA2 GO 32-40 180</b></p>  <p data-bbox="595 725 1062 748">Note! Product picture may differ from actual product</p> <p data-bbox="204 757 464 779">Product No.: <a href="#">93074222</a></p> <p data-bbox="204 869 1401 920">ALPHA2 GO is a high-efficiency circulator pump fitted with an electronically commutated motor and designed for circulating liquids in heating and air conditioning systems.</p> <p data-bbox="204 965 1449 1016">The Grundfos GO app offers a range of digital features that simplify the setup process for both new and replacement installations.</p> <p data-bbox="204 1061 1385 1113">By using Grundfos GO, you can easily verify compatibility when replacing integrated and stand-alone circulator pumps, including replicating exact pump curves.</p> <p data-bbox="204 1158 1449 1227">ALPHA2 GO is designed with intelligent controls modes: constant pressure, proportional pressure, constant flow and constant curve. Each mode has adjustable setpoints. The AUTOADAPT setting, available for constant and proportional pressure, removes the need to manually select the pump setpoint.</p> <p data-bbox="204 1272 1283 1301">The PWM input allows for precise control of the speed, better enabling complete system optimization.</p> <p data-bbox="204 1346 959 1375">The toolless installer plug results in fast and easy electrical connection.</p> <p data-bbox="204 1420 1378 1449">The automatic self-venting ability and dry-running protection ensure quiet operation and reliability of the pump.</p> <p data-bbox="204 1494 1437 1563">The product features robust startup which reduces the risk of blockages from dirt, magnetite and limescale build-up. In the unlikely case of a blocked pump, the motor attempts to continuously start at the highest possible torque, ensuring startup in tough conditions.</p> <p data-bbox="204 1608 1426 1653">The ceramic shaft and bearings experience minimal wear, resulting in a longer lifespan and a reduced likelihood of noise in the system due to increased bearing clearance from wear.</p> <p data-bbox="204 1697 1410 1742">When the system air detection and venting feature detects air in the system, the circulator pump pulsates to more effectively push air to the closest air removal device.</p> <p data-bbox="204 1787 1442 1832">Grundfos GO also provides the ability to conveniently fault-find the system through the event log and historical trend data for flow, head, estimated media temperature and on-cycle durations.</p> <p data-bbox="204 1921 639 1973">Controls: Frequency converter: Built-in</p> <p data-bbox="204 2018 632 2069">Liquid: Pumped liquid: Water</p>

Qty.	Description
1	<p>Liquid temperature range: 2 .. 110 °C                      Selected liquid temperature: 20 °C                      Density: 998.2 kg/m<sup>3</sup></p> <p>Technical:                      Rated flow: 1.53 m<sup>3</sup>/h                      Rated head: 2.06 m                      Pump head orientation: 9H                      Approvals: CE,VDE</p> <p>Materials:                      Pump housing: Cast iron                      EN 1561 EN-GJL-150                      ASTM A48M-150B                      Impeller: Composite                      PES 30% GF + PESU-GF20%</p> <p>Installation:                      Range of ambient temperature: 0 .. 55 °C                      Maximum operating pressure: 10 bar                      Pipe connection standard: ISO 228-1                      Type of connection: G                      Size of connection: 2 inch                      Pressure rating for connection: PN 10                      Port-to-port length: 180 mm</p> <p>Electrical data:                      P1 min.: 3 W                      Max. P1: 21 W                      Mains frequency: 50 / 60 Hz                      Rated voltage: 1 x 220-240 V                      Minimum current consumption: 0.04 A                      Maximum current consumption: 0.26 A                      Enclosure class (IEC 34-5): IP44                      Insulation class (IEC 85): F                      Thermal protection: Electronic</p> <p>Others:                      Energy (EEI): 0.16                      Net weight: 2.04 kg                      Gross weight: 2.26 kg                      Shipping volume: 0.004 m<sup>3</sup>                      Danish VVS No.: 380475340                      Swedish RSK No.: 5746863                      Finnish LVI No.: 4616575                      Norwegian NRF no.: 1392425</p>

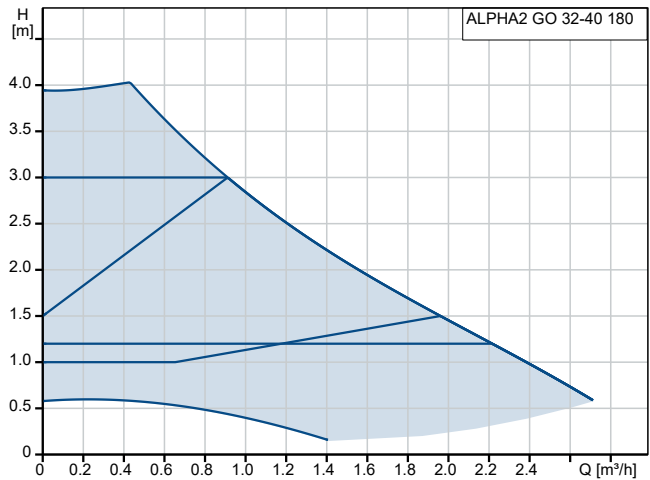
## 93074222 ALPHA2 GO 32-40 180



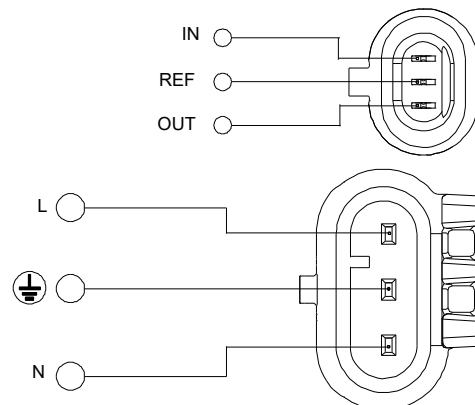
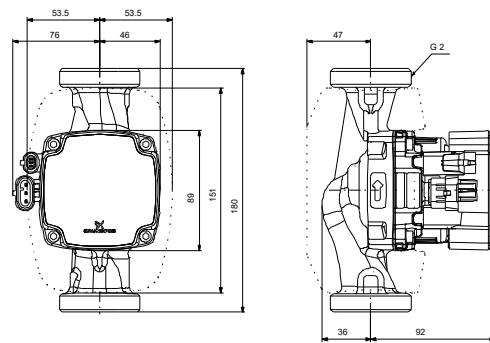
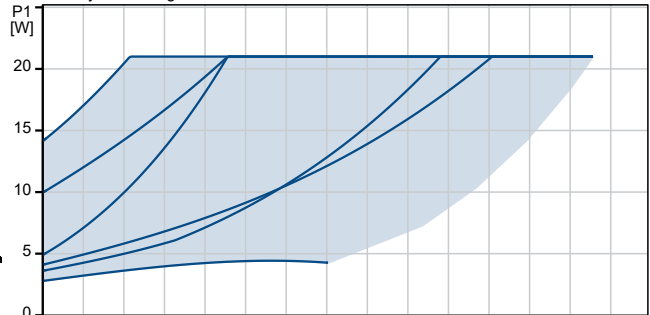
Pumped liquid = Water  
 Liquid temperature during operation = 20 °C  
 Density = 998.2 kg/m³



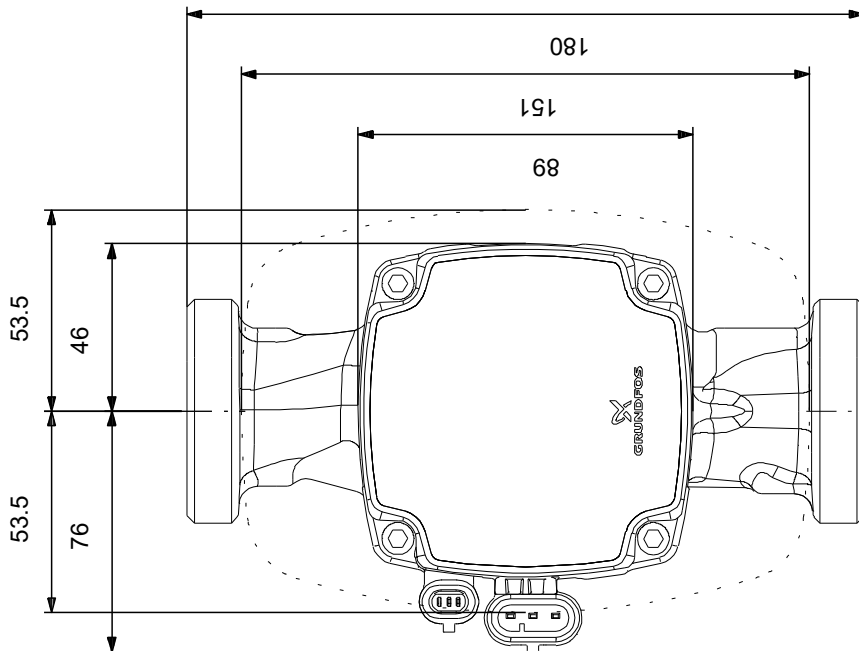
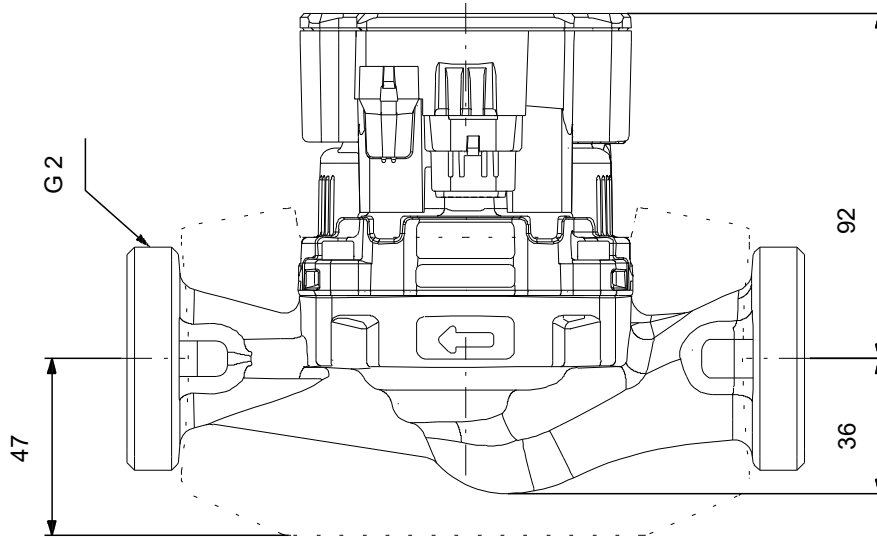
Description	Value
<b>General information:</b>	
Product name:	ALPHA2 GO 32-40 180
Product No:	93074222
EAN number:	5715467404494
<b>Technical:</b>	
Rated flow:	1.53 m <sup>3</sup> /h
Rated head:	2.06 m
Maximum head:	40 dm
Pump head orientation:	9H
Approvals:	CE,VDE
Model:	A
<b>Materials:</b>	
Pump housing:	Cast iron EN 1561 EN-GJL-150 ASTM A48M-150B
Impeller:	Composite PES 30% GF + PESU-GF20%
<b>Installation:</b>	
Range of ambient temperature:	0 .. 55 °C
Maximum operating pressure:	10 bar
Pipe connection standard:	ISO 228-1
Type of connection:	G
Size of connection:	2 inch
Pressure rating for connection:	PN 10
Port-to-port length:	180 mm
<b>Liquid:</b>	
Pumped liquid:	Water
Liquid temperature range:	2 .. 110 °C
Selected liquid temperature:	20 °C
Density:	998.2 kg/m <sup>3</sup>
<b>Electrical data:</b>	
P1 min.:	3 W
Max. P1:	21 W
Mains frequency:	50 / 60 Hz
Rated voltage:	1 x 220-240 V
Minimum current consumption:	0.04 A
Maximum current consumption:	0.26 A
Enclosure class (IEC 34-5):	IP44
Insulation class (IEC 85):	F
Thermal protection:	Electronic
<b>Controls:</b>	
Frequency converter:	Built-in
<b>Others:</b>	
Energy (EEI):	0.16
Net weight:	2.04 kg
Gross weight:	2.26 kg
Shipping volume:	0.004 m <sup>3</sup>
Danish VVS No.:	380475340
Swedish RSK No.:	5746863
Finnish LVI No.:	4616575
Norwegian NRF no.:	1392425



Pumped liquid = Water  
Liquid temperature during operation = 20 °C  
Density = 998.2 kg/m<sup>3</sup>

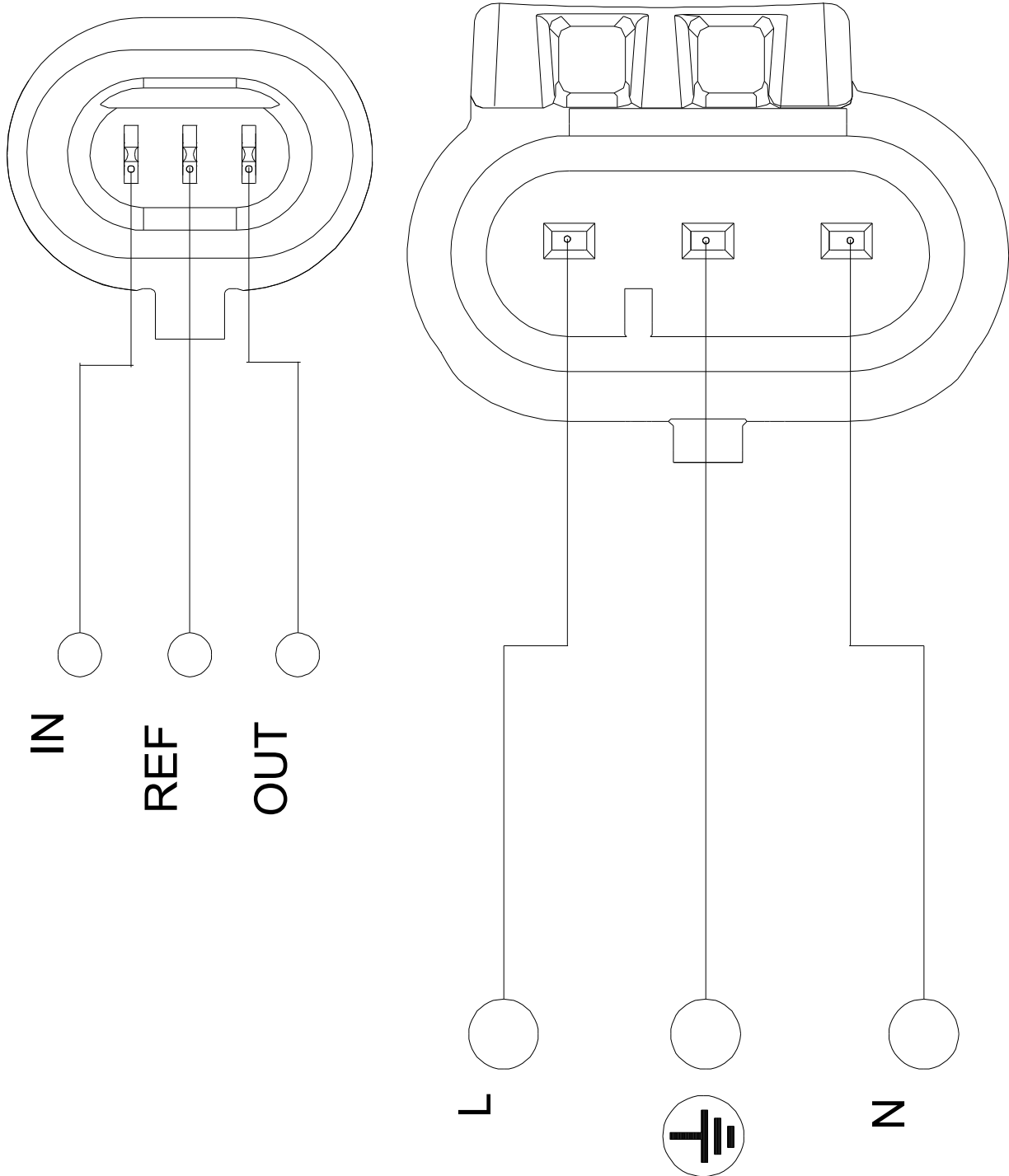


**93074222 ALPHA2 GO 32-40 180**



Note! All units are in [mm] unless others are stated.  
Disclaimer: This simplified dimensional drawing does not show all details.

## 93074222 ALPHA2 GO 32-40 180



Note! All units are in [mm] unless others are stated.