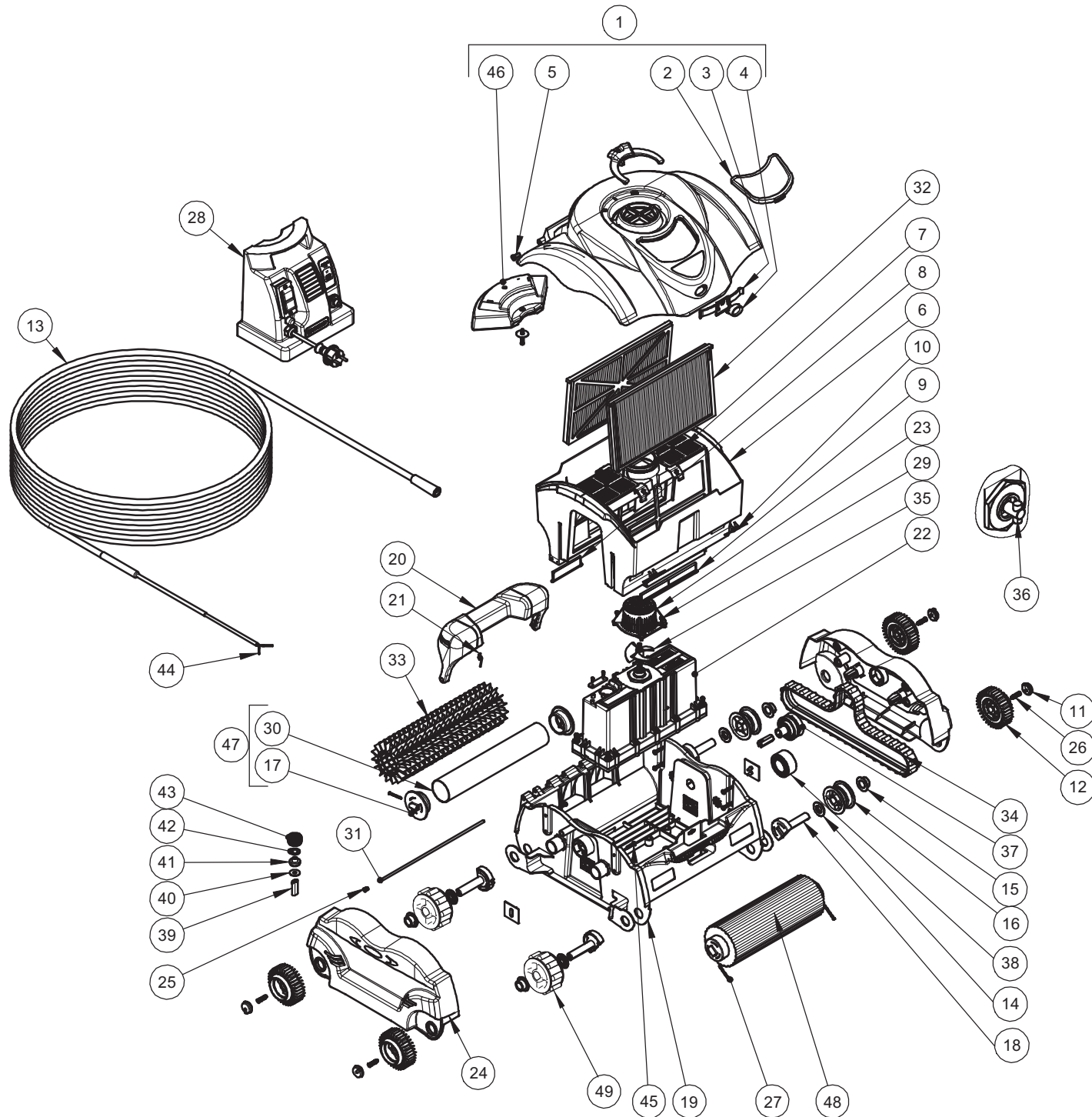


0180609 - HAYWARD SHARKVAC™ XL



0180609 - HAYWARD SHARKVAC™ XL

NR.	DESCRIPTION	PART NR. INCLUDES	PART NR.
1	Dome assembly	1	
2	Window, dome clear	1	
3	Spring, flat	1	
4	Button	1	
5	Bushing, dome	1	
6	Housing, filter bucket	1	
7	Door, filter	1	
8	Flap, drain small	1	
9	Flap, drain large	1	
10	Flap, rubber	1	
11	Cap, wheel rim	1	
12	Wheel rim with tire	1	7006543
13	Power cord assembly 50µf	1	7006500
14	Bushing 1W	1	
15	Bushing 2W	1	
16	Ring, drive	1	
17	Roller end	1	
18	Shaft	1	
19	Base	1	
20	Handle assembly	1	
21	Spring, handle	1	
22	Motor assembly	1	7006529
23	Tube, vent	1	
24	Panel, side	1	
25	Screw M7x10mm flat Torx	1	
26	Screw M7x25mm flat Torx	1	
27	Screw M5x35mm PT	1	
28	Power supply	1	7006530
29	Screw M5x12mm pan Torx HD T-20	1	
30	Wheel tube	1	7006554
31	Shaft, hinge stainless steel	1	
32	Filter cartridge refill set	1	7015934
33a	Brush T/S, clear	1	7006493
33b	Tube wheel with foam roller SV	1	7006533
34	Drive track-soft thread	1	7006460
35	Impeller	1	
36	Drive pin assembly	1	7006485
37	Bearing, drive assembly	1	
38	Bearing, idler pulley	1	
39	Housing connector	1	7006486
40	Washer connector small hole	1	7006487
41	Compression seal	1	7006556
42	Washer connector large hole	1	7006489
43	Plug seal	1	7006490
44	Connector molex	1	7006557
45	Screw M5x20mm pan Torx HD T-20	1	
46	Schwimmer	1	
47	Tube, wheel + roller end	1	
48	Tube wheel with foam roller SV	1	7006533
49	Ring, drive with rubber assembly	1	