

IN-LINE FILTER
7024319

Technical Drawing

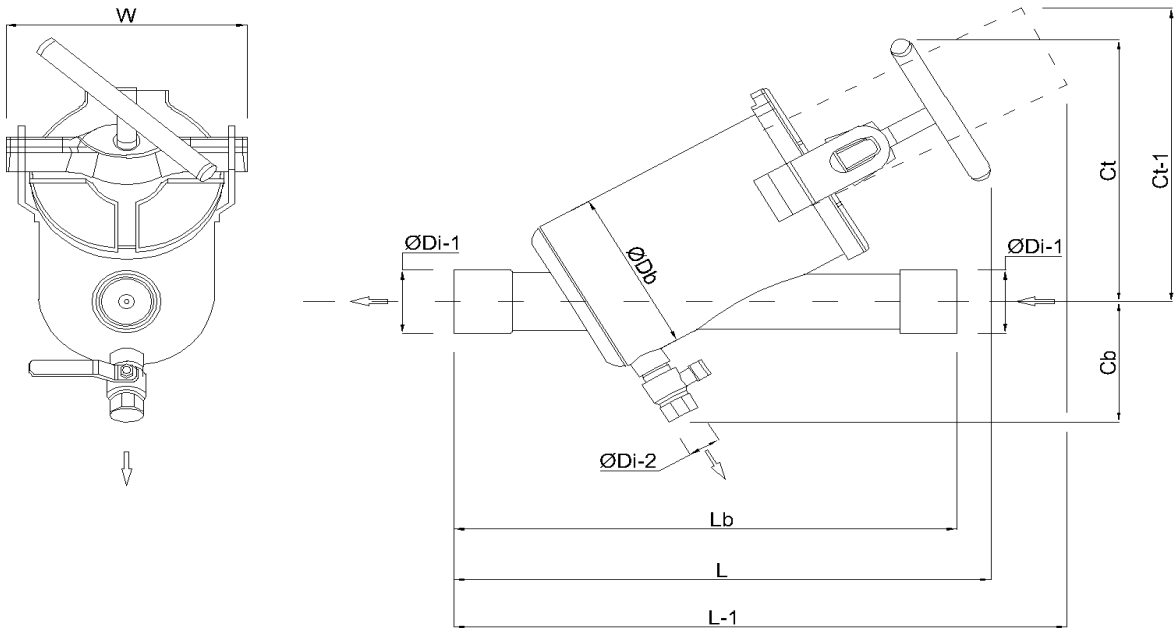


Table of size in (mm)

Model	L	L-1	Lb	W	Cb	Ct	Ct-1	Db	Di-1	Di-2	Max. Recom. Flow Rate (m ³ /h)	Weight Package (kg)	Volumen Package LxWxH (m)
7024319	514	585	480	230	127	280	310	6"	2"	3/4"	25	16.2	0.55x0.32x0.29