

**Sand Filter**  
7024314

Technical Drawing

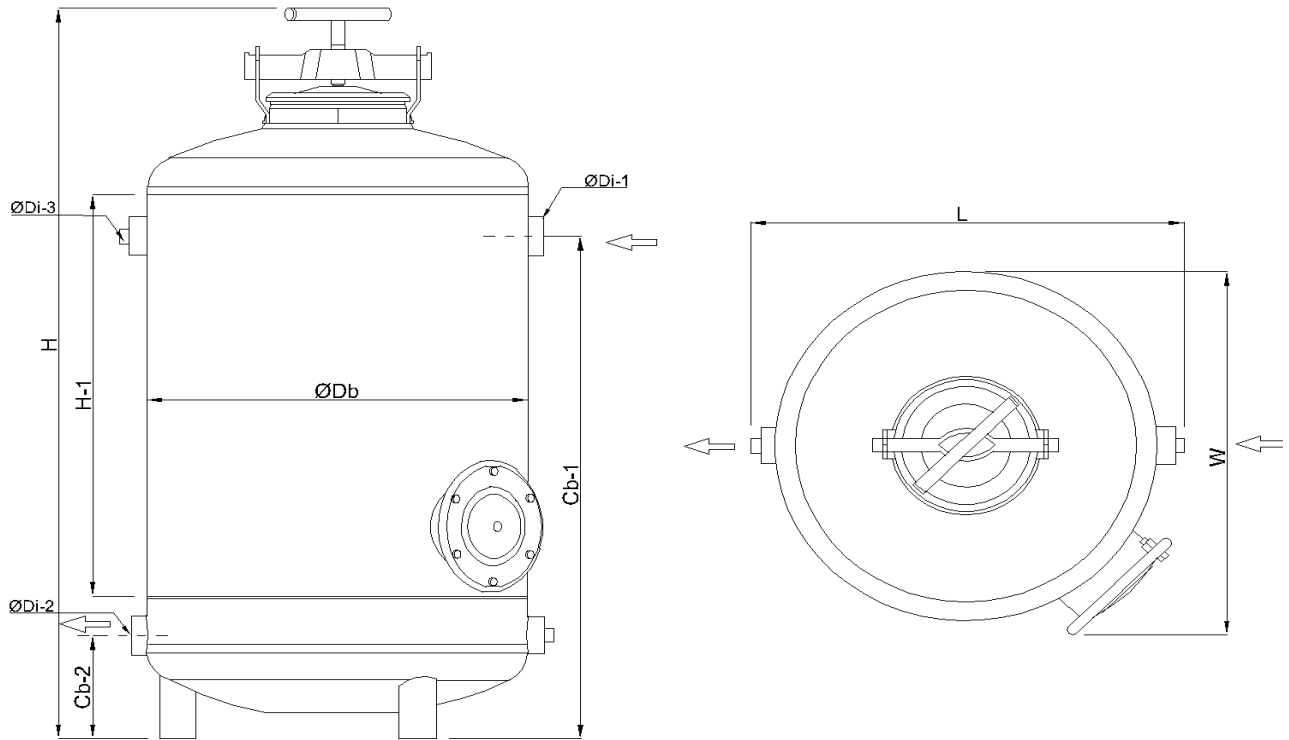


Table of size in (mm)

| Model   | L   | W   | H    | H-1 | Cb-1 | Cb-2 | Db  | Di-1 | Di-2 | Di-3 | Recom. Flow Rate (m <sup>3</sup> /h) | Backwash Flow Rate (m <sup>3</sup> /h) | Filtration area (m <sup>2</sup> ) | Weight Unit (kg) | No. Gravel bags of 25 kg |
|---------|-----|-----|------|-----|------|------|-----|------|------|------|--------------------------------------|--|-----------------------------------|------------------|--------------------------|
| 7024314 | 696 | 634 | 1281 | 705 | 880  | 180  | 24" | 2"   | 2"   | 2"   | 13.5-20                              | 25                                     | 0.29                              | 85               | 7                        |