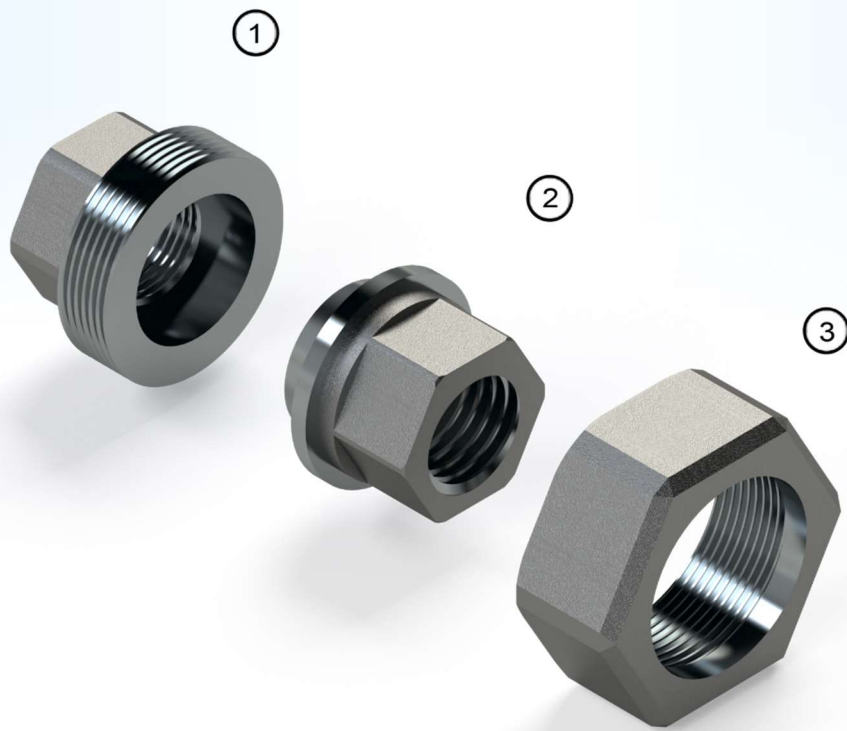


Item no	ØDi-1	ØDi-2	Lb	F-1	F-2	K-1	K-2	Kn
1134004	1/2"	1/2"	45 mm	10 mm	10 mm	26 mm	26 mm	44 mm



Sl No	PART
1	Threaded Adapter
2	Insert
3	Union Nut