

3.28 Draadsok

Productinformatie

Eigenschappen

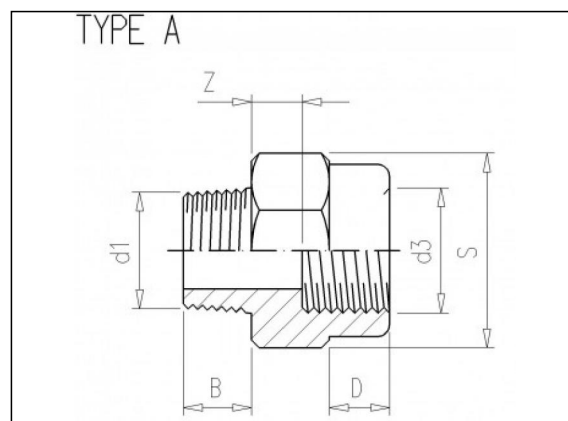
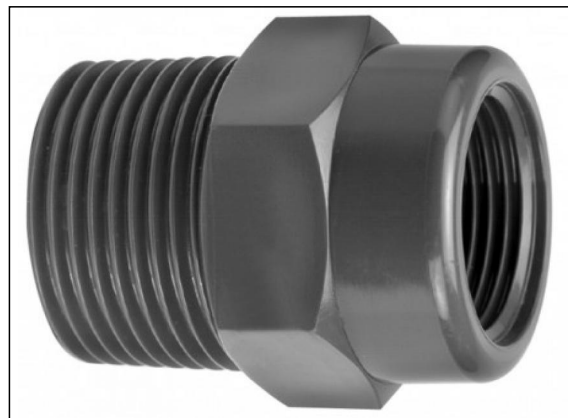
- Buitengasdraad
- Conisch

Materiaal

- PVC-U = Polyvinylchloride zonder weekmaker

Vervaardiging

- Spuitgiet



Beschikbare artikelen

ART.CODE	d1	d3	Z	B	D	S	Type	PN	Verp
3.28.010	3/8" (M)	1/4" (F)	7	12	12	24	A	16	100
3.28.015	1/4" (M)	3/8" (F)	8.5	12	12	27	A	10	100
3.28.016	1/4" (M)	3/8" (F)	8.5	12	12	27	B	16	50
3.28.017	1/2" (M)	3/8" (F)	8.5	16	12	27	A	10	100
3.28.018	1/2" (M)	3/8" (F)	8.5	16	12	27	B	16	50

Van de Lande BV

Lissenveld 1 \ 4941 VK Raamsdonksveer \ The Netherlands \ t +31 (0)162 51 60 00 \ f +31 (0)162 52 14 17 \ sales@vandelande.com
 Traderegister Tilburg: 18070844 \ IBAN: NL13 RABO 0143 0035 26 \ BIC: RABONL2U \ VAT: NL 8123.91.755.B01

ART.CODE	d1	d3	Z	B	D	S	Type	PN	Verp
3.28.020	3/8" (M)	1/2" (F)	8	12	15	32	A	10	100
3.28.021	3/8" (M)	1/2" (F)	8	12	15	32	B	16	50
3.28.021.1	1/2" (M)	1/2" (F)	8	16	15	32	A	10	50
3.28.021.2	1/2" (M)	1/2" (F)	8	16	15	32	B	16	50
3.28.022	3/4" (M)	1/2" (F)	8	17	15	32	A	10	100
3.28.023	3/4" (M)	1/2" (F)	8	17	15	32	B	16	50
3.28.025	1/2" (M)	3/4" (F)	10.5	16	16	36	A	10	100
3.28.026	1/2" (M)	3/4" (F)	10.5	16	16	36	B	16	50
3.28.026.1	3/4" (M)	3/4" (F)	10.5	17	16	36	A	10	50
3.28.026.2	3/4" (M)	3/4" (F)	10.5	17	16	36	B	16	50
3.28.027	1" (M)	3/4" (F)	10.5	21	16	36	A	10	100
3.28.028	1" (M)	3/4" (F)	10.5	21	16	36	B	16	50
3.28.032	3/4" (M)	1" (F)	12	17	22	46	A	10	100
3.28.033	3/4" (M)	1" (F)	12	17	22	46	B	16	50
3.28.034	1" (M)	1" (F)	12	21	22	46	A	10	90
3.28.035	1" (M)	1" (F)	12	21	22	46	B	16	75
3.28.036	1 1/4" (M)	1" (F)	12	23	22	46	A	10	150
3.28.037	1 1/4" (M)	1" (F)	12	23	22	46	B	16	75
3.28.040	1" (M)	1 1/4" (F)	14	21	23	55	A	10	150
3.28.041	1" (M)	1 1/4" (F)	14	21	23	55	B	16	50

Van de Lande BV

Lissenveld 1 \ 4941 VK Raamsdonksveer \ The Netherlands \ t +31 (0)162 51 60 00 \ f +31 (0)162 52 14 17 \ sales@vandelande.com
 Traderegister Tilburg: 18070844 \ IBAN: NL13 RABO 0143 0035 26 \ BIC: RABONL2U \ VAT: NL 8123.91.755.B01

www.vandelande.com

All our transactions are subject to the Van de Lande General Terms of Sale. A copy of these can be provided immediately upon your request.

ART.CODE	d1	d3	Z	B	D	S	Type	PN	Verp
3.28.042	1 1/4" (M)	1 1/4" (F)	14	23	23	55	A	10	150
3.28.043	1 1/4" (M)	1 1/4" (F)	14	23	23	55	B	16	50
3.28.044	1 1/2" (M)	1 1/4" (F)	14	23	23	55	A	10	150
3.28.045	1 1/2" (M)	1 1/4" (F)	14	23	23	55	B	16	100
3.28.050	1 1/4" (M)	1 1/2" (F)	16	23	25	66	A	10	100
3.28.051	1 1/4" (M)	1 1/2" (F)	16	23	25	66	B	16	75
3.28.052	1 1/2" (M)	1 1/2" (F)	16	23	25	66	A	10	100
3.28.053	1 1/2" (M)	1 1/2" (F)	16	23	25	66	B	16	75
3.28.063	1 1/2" (M)	2" (F)	20	23	28	80	A	10	50
3.28.064	1 1/2" (M)	2" (M)	20	23	28	80	B	16	50
3.28.065	2 (M)	2 (F)	20	27	28	80	A	10	50
3.28.066	2 (M)	2 (F)	20	27	28	80	B	16	40
3.28.076	2 (M)	2 1/2 (F)	23.5	27	31	96	B	10	45
3.28.078	2 1/2 (M)	2 1/2 (F)	23.5	31	31	96	B	10	45

Van de Lande BV

Lissenveld 1 \ 4941 VK Raamsdonksveer \ The Netherlands \ t +31 (0)162 51 60 00 \ f +31 (0)162 52 14 17 \ sales@vandelande.com
 Traderegister Tilburg: 18070844 \ IBAN: NL13 RABO 0143 0035 26 \ BIC: RABONL2U \ VAT: NL 8123.91.755.B01

www.vandelande.com

All our transactions are subject to the Van de Lande General Terms of Sale. A copy of these can be provided immediately upon your request.