



NICKEL-PLATED DISTRIBUTION MANIFOLD MADE OUT OF BRASS BAR

850/50 Nickel-plated distribution manifold made out of brass bar

Available on demand



850/50-3/4"

SIZE	PRESSURE	CODE	PACKING
3/4" x 2	10bar/145psi	85000340250	1/75
3/4" x 3	10bar/145psi	85000340350	1/48
3/4" x 4	10bar/145psi	85000340450	1/36
3/4" x 5	10bar/145psi	85000340550	1/30
3/4" x 6	10bar/145psi	85000340650	1/24
3/4" x 7	10bar/145psi	85000340750	1/21
3/4" x 8	10bar/145psi	85000340850	1/20
3/4" x 9	10bar/145psi	85000340950	1/18
3/4" x 10	10bar/145psi	85000341050	1/15

850/50-1"

SIZE	PRESSURE	CODE	PACKING
1" x 2	10bar/145psi	85001000250	1/60
1" x 3	10bar/145psi	85001000350	1/52
1" x 4	10bar/145psi	85001000450	1/40
1" x 5	10bar/145psi	85001000550	1/30
1" x 6	10bar/145psi	85001000650	1/24
1" x 7	10bar/145psi	85001000750	1/20
1" x 8	10bar/145psi	85001000850	1/20
1" x 9	10bar/145psi	85001000950	1/18
1" x 10	10bar/145psi	85001001050	1/16
1" x 11	10bar/145psi	85001001150	1/12
1" x 12	10bar/145psi	85001001250	1/12

850/50-1"1/4"

SIZE	PRESSURE	CODE	PACKING
1"1/4 x 2	10bar/145psi	85001140250	1/48
1"1/4 x 3	10bar/145psi	85001140350	1/30
1"1/4 x 4	10bar/145psi	85001140450	1/24
1"1/4 x 5	10bar/145psi	85001140550	1/21
1"1/4 x 6	10bar/145psi	85001140650	1/16
1"1/4 x 7	10bar/145psi	85001140750	1/16
1"1/4 x 8	10bar/145psi	85001140850	1/12
1"1/4 x 9	10bar/145psi	85001140950	1/12
1"1/4 x 10	10bar/145psi	85001141050	1/9
1"1/4 x 11	10bar/145psi	85001141150	1/9
1"1/4 x 12	10bar/145psi	85001141250	1/9

CERTIFICATIONS





NICKEL-PLATED DISTRIBUTION MANIFOLD MADE OUT OF BRASS BAR

TECHNICAL SPECIFICATIONS

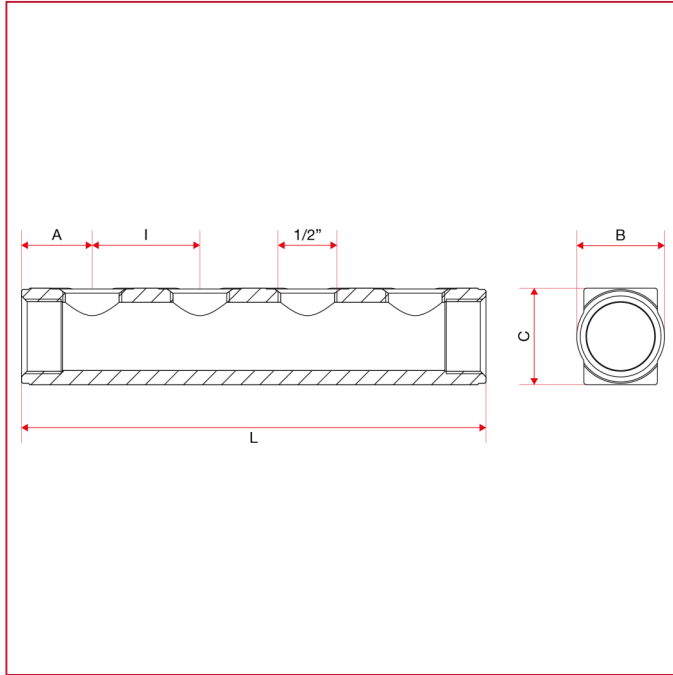
Maximum working temperature: 110°C.

Threads: ISO 228 (equivalent to DIN EN ISO 228 and BS EN ISO 228).

Size of the outlets: 1/2" F.

Centres distance: mm.50.

OVERALL DIMENSIONS



850/50-3/4"

	3/4" x 2	3/4" x 3	3/4" x 4	3/4" x 5	3/4" x 6	3/4" x 7	3/4" x 8	3/4" x 9	3/4" x 10
A	25	25	25	25	25	25	25	25	25
B	31	31	31	31	31	31	31	31	31
C	34	34	34	34	34	34	34	34	34
D	50	50	50	50	50	50	50	50	50
E	100	150	200	250	300	350	400	450	500
Kg/cm ² bar	10	10	10	10	10	10	10	10	10
LBS - psi	145	145	145	145	145	145	145	145	145

850/50-1"

	1" x 2	1" x 3	1" x 4	1" x 5	1" x 6	1" x 7	1" x 8	1" x 9	1" x 10	1" x 11	1" x 12
A	30	30	30	30	30	30	30	30	30	30	30
B	37,5	37,5	37,5	37,5	37,5	37,5	37,5	37,5	37,5	37,5	37,5
C	37	37	37	37	37	37	37	37	37	37	37
D	50	50	50	50	50	50	50	50	50	50	50
E	110	160	210	260	310	360	410	460	510	560	610
Kg/cm ² bar	10	10	10	10	10	10	10	10	10	10	10
LBS - psi	145	145	145	145	145	145	145	145	145	145	145



NICKEL-PLATED DISTRIBUTION MANIFOLD MADE OUT OF BRASS BAR

850/50-1"1/4

	1"1/4 x 2	1"1/4 x 3	1"1/4 x 4	1"1/4 x 5	1"1/4 x 6	1"1/4 x 7	1"1/4 x 8	1"1/4 x 9	1"1/4 x 10	1"1/4 x 11	1"1/4 x 12
A	30	30	30	30	30	30	30	30	30	30	30
B	47	47	47	47	47	47	47	47	47	47	47
C	50	50	50	50	50	50	50	50	50	50	50
D	50	50	50	50	50	50	50	50	50	50	50
E	110	160	210	260	310	360	410	460	510	560	610
Kg/cm2 bar	10	10	10	10	10	10	10	10	10	10	10
LBS - psi	145	145	145	145	145	145	145	145	145	145	145