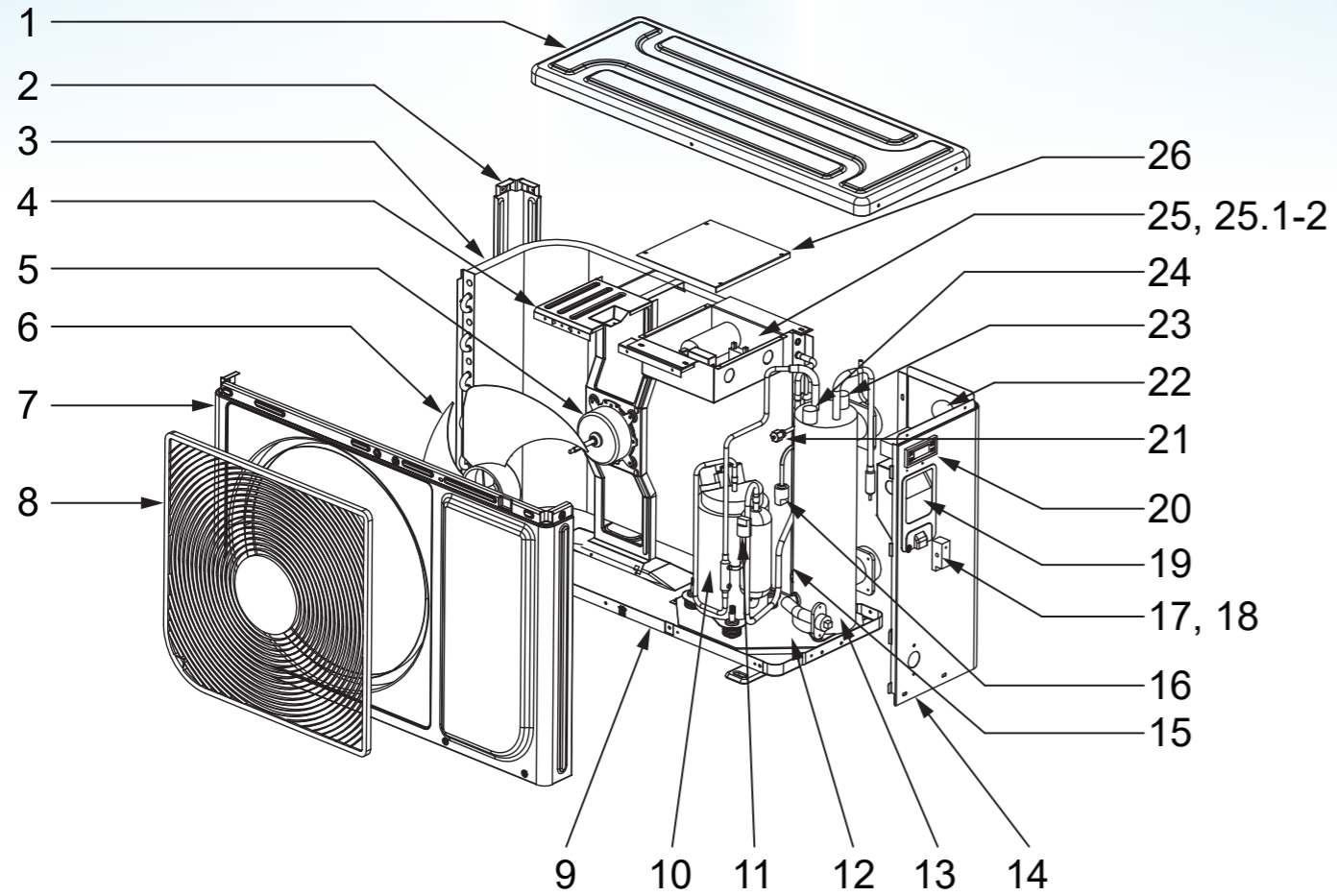


SPARE PARTS

7024510 - Hydro-S Heat pump , type A On/Off (type A5/32)



7024510 - Hydro-S Heat pump , type A On/Off (type A5/32)

NR.	DESCRIPTION	PART NR.
1	Top cover	
2	Column	
3	Evaporator	
4	Motor bracket	
5	Fan motor YKT-32-6-203L	7024886
6	Fan blade 427mm×139mm	7024888
7	Front panel	
8	Grille	
9	Chassis	
10	Compressor (KSM93V11UDZ)	
11	High pressure switch 3.6 – 4.2Mpa	7024793
12	Fixing plate	
13	Titanium heat-exchanger	
14	Right panel	
15	Water in temperature sensor	
16	Low pressure switch 0.1 – 0.3Mpa	7024791
17	Wires clip	
18	Wires clip	
19	Handle	
20	LED display / PCB RC-112E (WJL)	7024894
21	Needle valve	
22	Pressure gauge 0-65bar R32	7025310
23	Water flow switch	7006471
24	Water out temperature sensor	
25	PC board/ E-box ass. 803301000201	7024892
25.1	Condensator 25µF type round wired	7010427
25.2	Condensator 35µF type round AMP	7010430
26	Cover, E-box	
	Temperature sensor	7011007
	Repair kit for Heat pump Hydro-S Type A (temperature switch, thermal conductive paste, wire connectors)	7027177