

# AMIAD Water Systems

Spare Parts Catalog  
Sigma Mini & Pro Filters  
August 2018



Mini Sigma sigma Pro Spare Parts online orders and support  
[www.irrigationglobal.com](http://www.irrigationglobal.com)

## AMIAD Water Systems

### Spare Parts Catalog

### Sigma Filters

Amiad Water Systems Ltd. ("Amiad") reserves the right to change product's and services' prices at any time without further notice.

This **Catalog** is provided for information purposes only. No person should act on the basis of any information contained in this publication without consulting with Amiad's representative. Amiad will not be held responsible for loss or damage caused by errors, omissions, misprints or misinterpretation of the content thereof. Amiad expressly disclaims all and any liability to any person in respect of anything done or omitted, and the consequences of anything done or omitted, by any such person in reliance on the contents of this publication.

All the descriptions, drawings, pictures and/or any other information provided in this document is provided solely for guidance and reference. The guidance is given in good faith and is not intended to impose any obligation to Amiad. Please consult Amiad experts or its authorized representatives for further information or the current technical specifications before purchase.

The content of this **Catalog** is the sole and property of Amiad, including any intellectual property rights therein, whether registered or not. No part of this publication may be reproduced, recast, reformatted or transmitted in any form by any means, electronic or mechanical including photocopying, recording or any information storage and retrieval system, without the prior written permission from Amiad.

"Amiad", "Arkal" and "Filtomat" are all registered trademarks of Amiad Water Systems Ltd.  
© 2018 Amiad All rights reserved.

## TABLE OF CONTENTS

### MINI SIGMA

2" MINI SIGMA ON-LINE	4-6
2" MINI SIGMA ANGLE	7-9
3" MINI SIGMA ON-LINE	10-12
3" MINI SIGMA ANGLE	13-15
4" MINI SIGMA ON-LINE	16-18
4" MINI SIGMA ANGLE	19-21

### SIGMA PRO

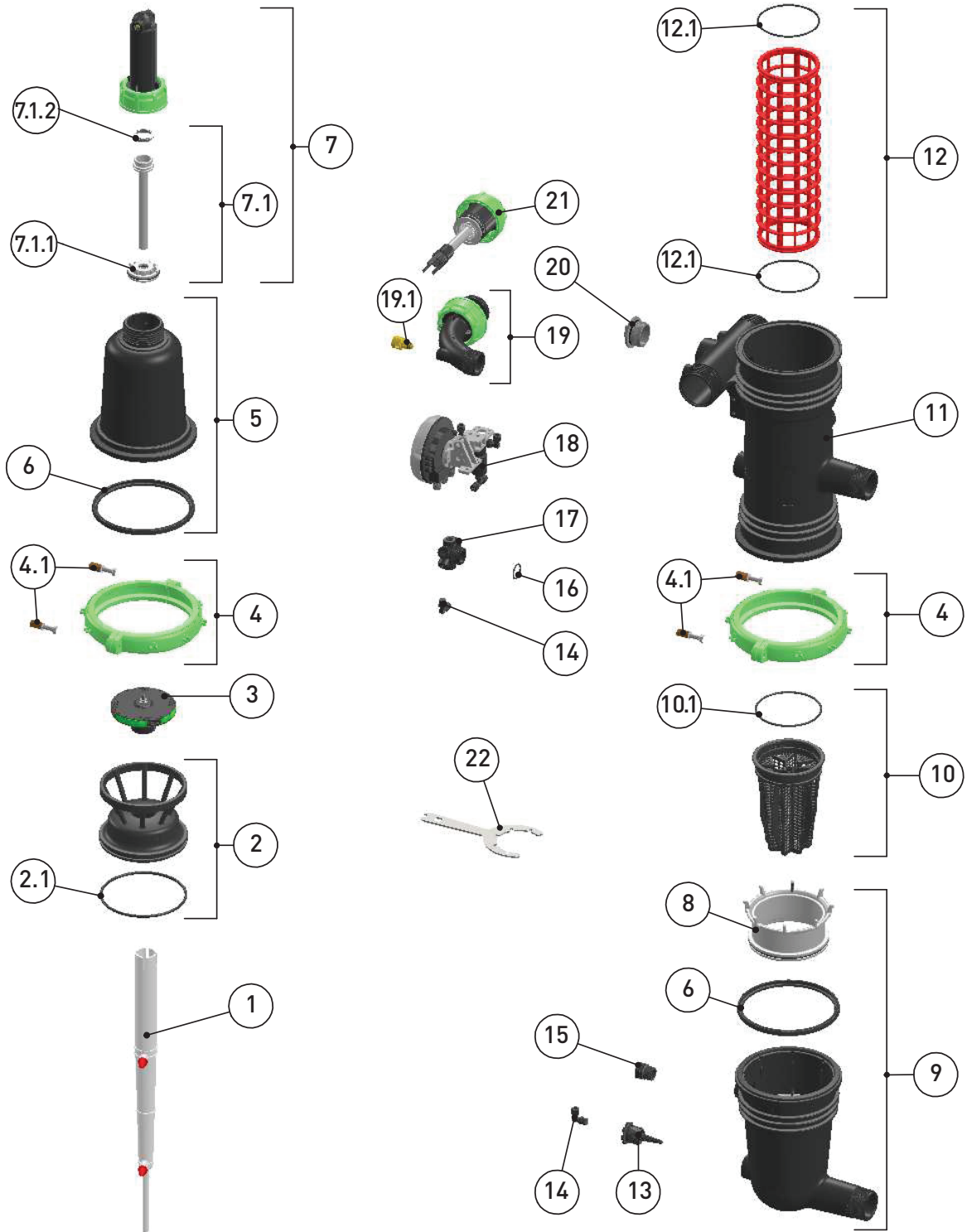
4" SIGMA PRO HYDRAULIC	22-24
4" SIGMA PRO ELECTRONIC	25-27
6" SIGMA PRO HYDRAULIC	28-30
6" SIGMA PRO ELECTRONIC	31-33
8" SIGMA PRO HYDRAULIC	34-36
8" SIGMA PRO ELECTRONIC	37-39

SCREENS	40-41
---------	-------

UPGRADE KITS	41
--------------	----

Spare Parts online orders and support, Mini Sigma Sigma Pro  
[www.irrigationglobal.com](http://www.irrigationglobal.com)

## 2" MINI SIGMA ON-LINE - DRAWING



## 2" MINI SIGMA ON-LINE

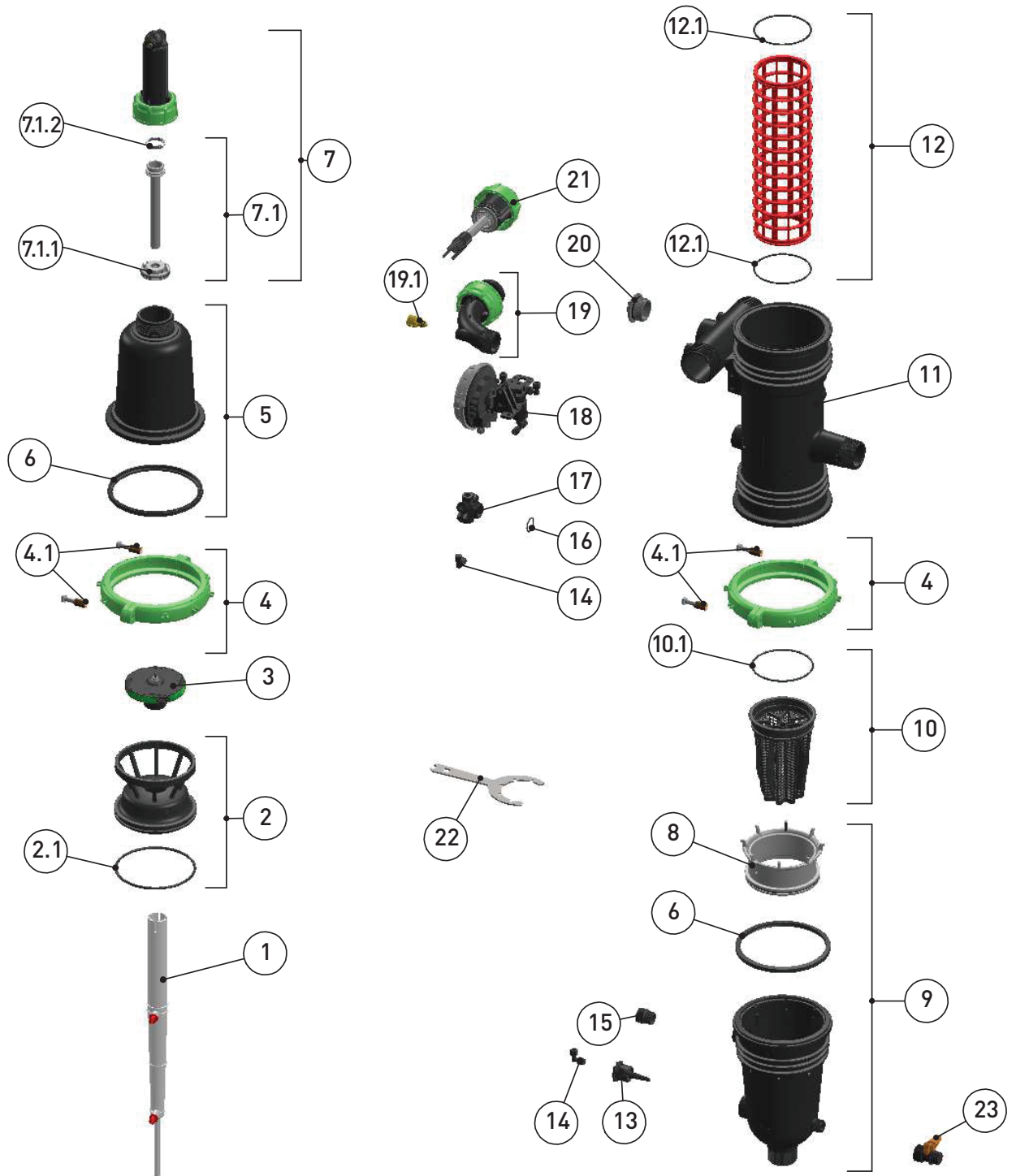
NO.	DESCRIPTION	SAP. CAT.NO.
1	SCANNER 375 ASSEMBLY W/STRAIGHT NOZZLE 8MM F/SIGMA 4"	700190-005106
2	SEPARATION PLATE ASSEMBLY W/O-RING 2-361 EPDM	700190-005252
2.1	PARKER O-RING 2-361 EPDM 70 SHORE YELLOW DOT	770102-000048
3	TURBINE ASSEMBLY F/MINI AND PRO SIGMA	700190-005150
4	CLAMP ASSEMBLY FOR MINI SIGMA	700190-005396
4.1	SET BOLTS NUTS WASHERS F/CLAMP MINI SIGMA ASSY	700190-005413
5	COVER ASSEMBLY F/MINI SIGMA W/HYDRAULIC SEAL	700190-005395
6	HYDRAULIC SEAL 2"-3" EPDM 70 SHORE MINI SIGMA	770104-000358
7	ACTUATOR ASSEMBLY F/MINI SIGMA	700190-005154
7.1	ACTUATOR PISTON ASSEMBLY F/MINI SIGMA	700190-005161
7.1.1	SEAL HOLDER ASSEMBLY F/MINI SIGMA	700190-005153
7.1.2	U-CUP SEAL NBR OD38MM ID30MM H6.35MM 70 SHORE	770105-000010
8	COARSE SCREEN ASSEMBLY 2" ADAPTOR W/O-RING 2-255 EPDM	700190-005253
9	2" MINI SIGMA ON-LINE LOW BODY BSPT ASSEMBLY W/HYD SEAL ASSEMBLY MINI SIGMA ON-LINE LOWER BODY 2"NPT W/HYD SEAL	700190-005399 700190-005400
10	COARSE SCREEN ASSEMBLY F/MINI SIGMA	700190-005149
10.1	MM O-RING SEAL ID117MM TH4MM EPDM 70 SHORE YELLOW DOT	770101-000198
11	MINI SIGMA BODY 2" BSPT RPA BLACK MINI SIGMA BODY 2" NPT RPA BLACK	710101-001381 710101-001382
12	MOLDED WEAVEWIRE SCREEN S/ST316L 1200SQ.CM 130MIC SIGMA EPDM SEALS <b>For all available filtration degrees. See pages 40-41.</b>	700101-001505
12.1	PARKER O-RING 2-244 EPDM 70 SHORE YELLOW DOT	770102-000384
13	1"*1/4" BUSHING + SEAL ASSY	700190-000206

(Continued)

## 2" MINI SIGMA ON-LINE (continued)

NO.	DESCRIPTION	SAP. CAT.NO.
14	L-CONNECTOR 1/4" M x 8MM BSPT ACETAL BLACK TEFEN	720501-000139
15	PLUG + SEAL 3/4" PP TAVLIT	780101-000113
16	PARKER O-RING 2-120 EPDM 70 SHORE YELLOW DOT	770102-000500
17	TOP DIVISOR SIGMA RPA	710103-009569
18	ADI-P DC 1 BACSOL 12VDC 2W LATCH 8MM TEFFEN F/MINI SIGMA ASSY	700103-001707
19	DRAIN PIPE ASSEMBLY 1.5" BSPT F/MINI SIGMA	700190-005151
	ASSEMBLY DRAIN PIPE 1.5" NPT F/MINI SIGMA	700190-005255
19.1	VACUUM BREAKER ASSEMBLY F/MINI SIGMA	700190-005152
20	1.5" -1/4" PLUG ASSEMBLY W/O-RING 2-131 EPDM	700190-005254
21	VALVE ACTUATOR ASSEMBLY F/MINI SIGMA	700190-005241
22	WRENCH GALVANIZED F/NUT MINI SIGMA	760109-000472

## 2" MINI SIGMA ANGLE - DRAWING



## 2" MINI SIGMA ANGLE

NO.	DESCRIPTION	SAP. CAT.NO.
1	SCANNER 375 ASSEMBLY W/STRAIGHT NOZZLE 8MM F/SIGMA 4"	700190-005106
2	SEPARATION PLATE ASSEMBLY W/O-RING 2-361 EPDM	700190-005252
2.1	PARKER O-RING 2-361 EPDM 70 SHORE YELLOW DOT	770102-000048
3	TURBINE ASSEMBLY F/MINI AND PRO SIGMA	700190-005150
4	CLAMP ASSEMBLY FOR MINI SIGMA	700190-005396
4.1	SET BOLTS NUTS WASHERS F/CLAMP MINI SIGMA ASSY	700190-005413
5	COVER ASSEMBLY F/MINI SIGMA W/HYDRAULIC SEAL	700190-005395
6	HYDRAULIC SEAL 2"-3" EPDM 70 SHORE MINI SIGMA	770104-000358
7	ACTUATOR ASSEMBLY F/MINI SIGMA	700190-005154
7.1	ACTUATOR PISTON ASSEMBLY F/MINI SIGMA	700190-005161
7.1.1	SEAL HOLDER ASSEMBLY F/MINI SIGMA	700190-005153
7.1.2	U-CUP SEAL NBR OD38MM ID30MM H6.35MM 70 SHORE	770105-000010
8	COARSE SCREEN ASSEMBLY 2" ADAPTOR W/O-RING 2-255 EPDM	700190-005253
9	2" MINI SIGMA ANGLE LOW BODY BSPT ASSEMBLY W/HYD SEAL	700190-005397
	2" MINI SIGMA ANGLE LOW BODY NPT ASSEMBLY W/HYD SEAL	700190-005398
10	COARSE SCREEN ASSEMBLY F/MINI SIGMA	700190-005149
10.1	MM O-RING SEAL ID117MM TH4MM EPDM 70 SHORE YELLOW DOT	770101-000198
11	MINI SIGMA BODY 2" BSPT RPA BLACK	710101-001381
	MINI SIGMA BODY 2" NPT RPA BLACK	710101-001382
12	MOLDED WEAVEWIRE SCREEN S/ST316L 1200SQ.CM 130MIC SIGMA EPDM SEALS <b>For all available filtration degrees. See pages 40-41.</b>	700101-001505
12.1	PARKER O-RING 2-244 EPDM 70 SHORE YELLOW DOT	770102-000384
13	1"*1/4" BUSHING + SEAL ASSY	700190-000206

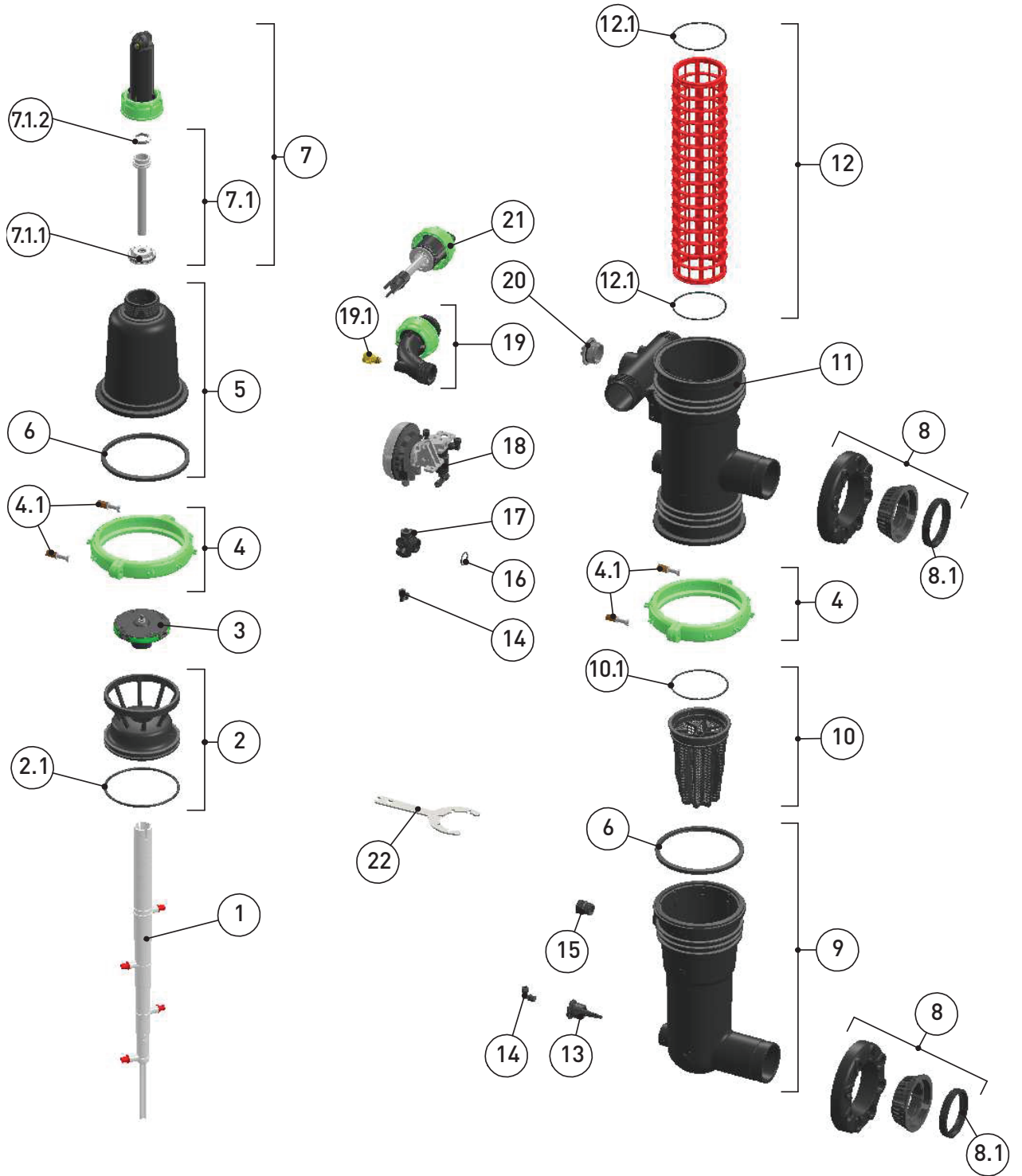
(Continued)



## 2" MINI SIGMA ANGLE (continued)

NO.	DESCRIPTION	SAP. CAT.NO.
14	L-CONNECTOR 1/4" M x 8MM BSPT ACETAL BLACK TEFEN	720501-000139
15	PLUG + SEAL 3/4" PP TAVLIT	780101-000113
16	PARKER O-RING 2-120 EPDM 70 SHORE YELLOW DOT	770102-000500
17	TOP DIVISOR SIGMA RPA	710103-009569
18	ADI-P DC 1 BACSOL 12VDC 2W LATCH 8MM TEFFEN F/MINI SIGMA ASSY	700103-001707
19	DRAIN PIPE ASSEMBLY 1.5" BSPT F/MINI SIGMA	700190-005151
	ASSEMBLY DRAIN PIPE 1.5" NPT F/MINI SIGMA	700190-005255
19.1	VACUUM BREAKER ASSEMBLY F/MINI SIGMA	700190-005152
20	1.5"-1/4" PLUG ASSEMBLY W/O-RING 2-131 EPDM	700190-005254
21	VALVE ACTUATOR ASSEMBLY F/MINI SIGMA	700190-005241
22	WRENCH GALVANIZED F/NUT MINI SIGMA	760109-000472
23	BALL VALVE AC 3/4" 10 BAR BLACK	300005-000006

## 3" MINI SIGMA ON-LINE - DRAWING



## 3" MINI SIGMA ON-LINE

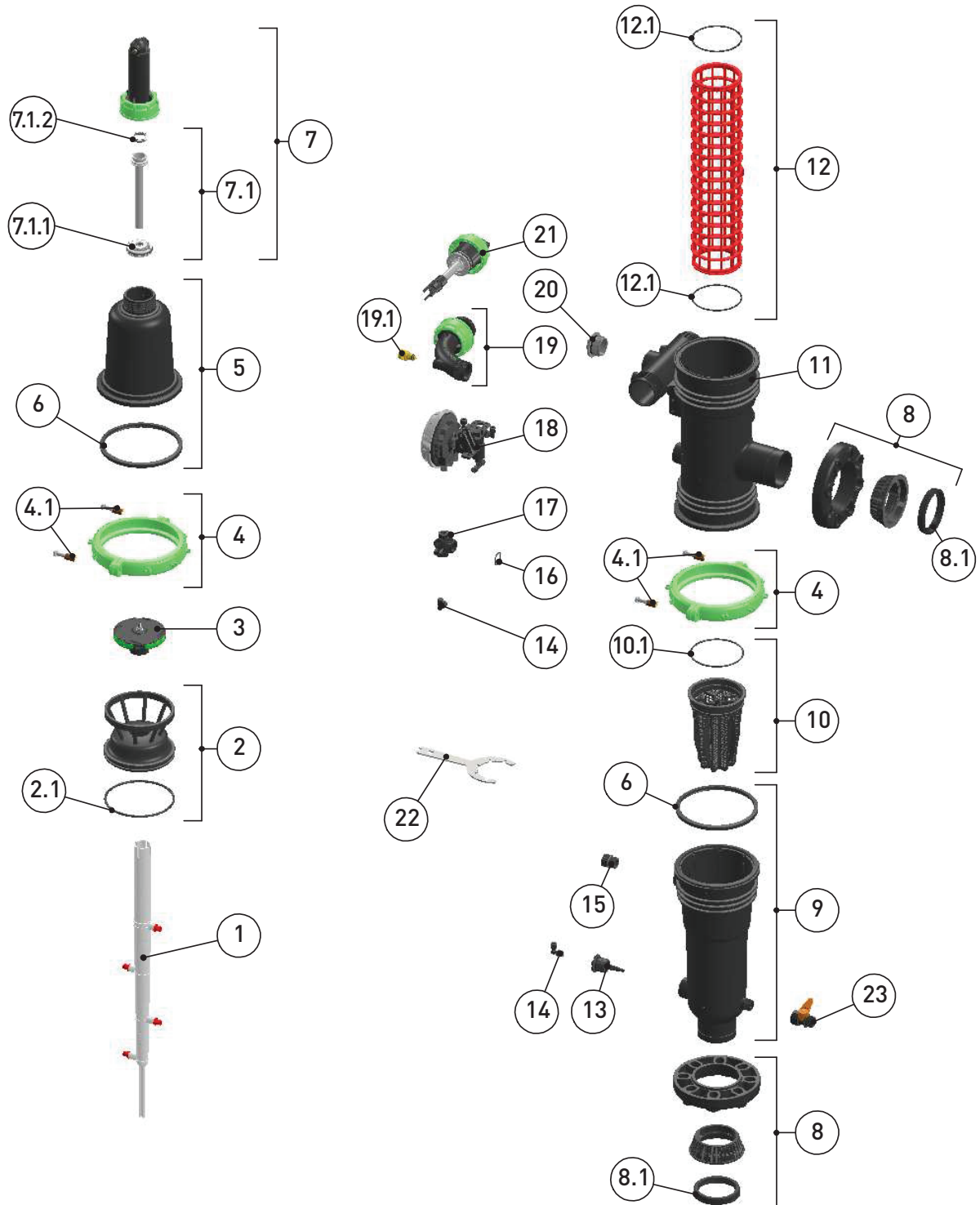
NO.	DESCRIPTION	SAP. CAT.NO.
1	SCANNER 500 ASSEMBLY W/STRAIGHT NOZZLE 8MM F/SIGMA 6"/8"	700190-005105
2	SEPARATION PLATE ASSEMBLY W/O-RING 2-361 EPDM	700190-005252
2.1	PARKER O-RING 2-361 EPDM 70 SHORE YELLOW DOT	770102-000048
3	TURBINE ASSEMBLY F/MINI AND PRO SIGMA	700190-005150
4	CLAMP ASSEMBLY FOR MINI SIGMA	700190-005396
4.1	SET BOLTS NUTS WASHERS F/CLAMP MINI SIGMA ASSY	700190-005413
5	COVER ASSEMBLY F/MINI SIGMA W/HYDRAULIC SEAL	700190-005395
6	HYDRAULIC SEAL 2"-3" EPDM 70 SHORE MINI SIGMA	770104-000358
7	ACTUATOR ASSEMBLY F/MINI SIGMA	700190-005154
7.1	ACTUATOR PISTON ASSEMBLY F/MINI SIGMA	700190-005161
7.1.1	SEAL HOLDER ASSEMBLY F/MINI SIGMA	700190-005153
7.1.2	U-CUP SEAL NBR OD38MM ID30MM H6.35MM 70 SHORE	770105-000010
8	3" AKF UNIVERSAL ASSY	700190-000223
8.1	GASKET EPDM 65 SHORE QUICK FLANGE	770104-000034
9	3" MINI SIGMA ON-LINE LOW BODY VIC ASSEMBLY W/HYD SEAL	700190-005402
10	COARSE SCREEN ASSEMBLY F/MINI SIGMA	700190-005149
10.1	MM O-RING SEAL ID117MM TH4MM EPDM 70 SHORE YELLOW DOT	770101-000198
11	MINI SIGMA BODY 3" VIC RPA BLACK	710101-001383
12	MOLDED WEAWEWIRE SCREEN S/ST316L 1600SQ.CM 130MIC MINI SIGMA EPDM SEALS <b>For all available filtration degrees. See pages 40-41.</b>	700101-002042
12.1	PARKER O-RING 2-244 EPDM 70 SHORE YELLOW DOT	770102-000384
13	1"*1/4" BUSHING + SEAL ASSY	700190-000206
14	L-CONNECTOR 1/4"M x 8MM BSPT ACETAL BLACK TEFEN	720501-000139

[Continued]

## 3" MINI SIGMA ON-LINE (continued)

NO.	DESCRIPTION	SAP. CAT.NO.
15	PLUG + SEAL ¾" PP TAVLIT	780101-000113
16	PARKER O-RING 2-120 EPDM 70 SHORE YELLOW DOT	770102-000500
17	TOP DIVISOR SIGMA RPA	710103-009569
18	ADI-P DC 1 BACSOL 12VDC 2W LATCH 8MM TEFFEN F/MINI SIGMA ASSY	700103-001707
19	DRAIN PIPE ASSEMBLY 1.5" BSPT F/MINI SIGMA	700190-005151
	DRAIN PIPE ASSEMBLY 1.5" NPT F/MINI SIGMA	700190-005255
19.1	VACUUM BREAKER ASSEMBLY F/MINI SIGMA	700190-005152
20	1.5" -¼" PLUG ASSEMBLY W/O-RING 2-131 EPDM	700190-005254
21	VALVE ACTUATOR ASSEMBLY F/MINI SIGMA	700190-005241
22	WRENCH GALVANIZED F/NUT MINI SIGMA	760109-000472

## 3" MINI SIGMA ANGLE - DRAWING



## 3" MINI SIGMA ANGLE

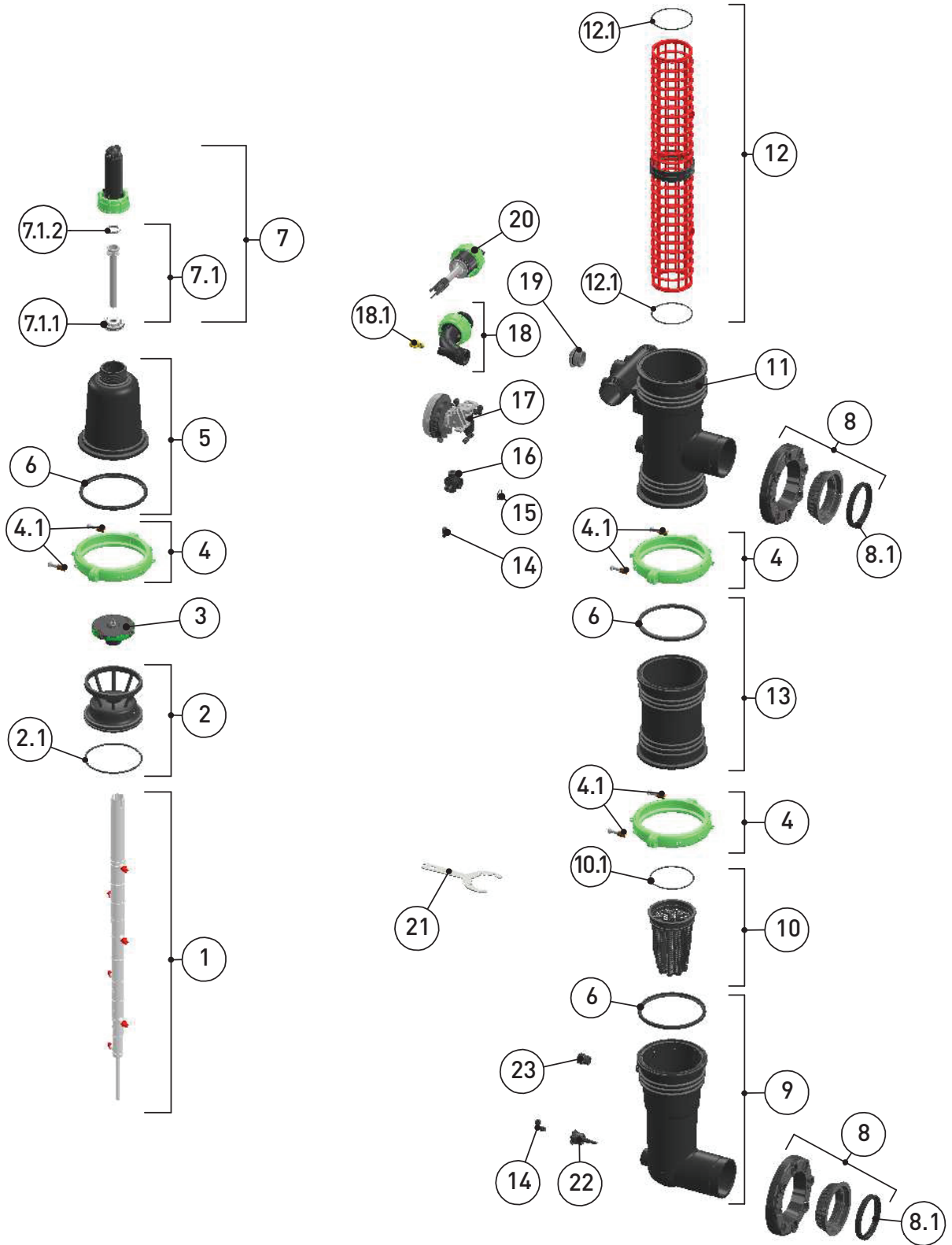
NO.	DESCRIPTION	SAP. CAT.NO.
1	SCANNER 500 ASSEMBLY W/STRAIGHT NOZZLE 8MM F/SIGMA 6"/8"	700190-005105
2	SEPARATION PLATE ASSEMBLY W/O-RING 2-361 EPDM	700190-005252
2.1	PARKER O-RING 2-361 EPDM 70 SHORE YELLOW DOT	770102-000048
3	TURBINE ASSEMBLY F/MINI AND PRO SIGMA	700190-005150
4	CLAMP ASSEMBLY FOR MINI SIGMA	700190-005396
4.1	SET BOLTS NUTS WASHERS F/CLAMP MINI SIGMA ASSY	700190-005413
5	COVER ASSEMBLY F/MINI SIGMA W/HYDRAULIC SEAL	700190-005395
6	HYDRAULIC SEAL 2"-3" EPDM 70 SHORE MINI SIGMA	770104-000358
7	ACTUATOR ASSEMBLY F/MINI SIGMA	700190-005154
7.1	ACTUATOR PISTON ASSEMBLY F/MINI SIGMA	700190-005161
7.1.1	SEAL HOLDER ASSEMBLY F/MINI SIGMA	700190-005153
7.1.2	U-CUP SEAL NBR OD38MM ID30MM H6.35MM 70 SHORE	770105-000010
8	3" AKF UNIVERSAL ASSY	700190-000223
8.1	GASKET EPDM 65 SHORE QUICK FLANGE	770104-000034
9	3" MINI SIGMA ANGLE LOW BODY VIC ASSEMBLY W/HYD SEAL	700190-005401
10	COARSE SCREEN ASSEMBLY F/MINI SIGMA	700190-005149
10.1	MM O-RING SEAL ID117MM TH4MM EPDM 70 SHORE YELLOW DOT	770101-000198
11	MINI SIGMA BODY 3" VIC RPA BLACK	710101-001383
12	MOLDED WEAWEWIRE SCREEN S/ST316L 1600SQ.CM 130MIC MINI SIGMA EPDM SEALS <b>For all available filtration degrees. See pages 40-41.</b>	700101-002042
12.1	PARKER O-RING 2-244 EPDM 70 SHORE YELLOW DOT	770102-000384
13	1"*1/4" BUSHING + SEAL ASSY	700190-000206
14	L-CONNECTOR 1/4"M x 8MM BSPT ACETAL BLACK TEFEN	720501-000139

(Continued)

## 3" MINI SIGMA ANGLE (continued)

NO.	DESCRIPTION	SAP. CAT.NO.
15	PLUG + SEAL ¾" PP TAVLIT	780101-000113
16	PARKER O-RING 2-120 EPDM 70 SHORE YELLOW DOT	770102-000500
17	TOP DIVISOR SIGMA RPA	710103-009569
18	ADI-P DC 1 BACSOL 12VDC 2W LATCH 8MM TEFFEN F/MINI SIGMA ASSY	700103-001707
19	DRAIN PIPE ASSEMBLY 1.5" BSPT F/MINI SIGMA	700190-005151
	DRAIN PIPE ASSEMBLY 1.5" NPT F/MINI SIGMA	700190-005255
19.1	VACUUM BREAKER ASSEMBLY F/MINI SIGMA	700190-005152
20	1.5"-¼" PLUG ASSEMBLY W/O-RING 2-131 EPDM	700190-005254
21	VALVE ACTUATOR ASSEMBLY F/MINI SIGMA	700190-005241
22	WRENCH GALVANIZED F/NUT MINI SIGMA	760109-000472
23	BALL VALVE AC ¾" 10 BAR BLACK	300005-000006

## 4" MINI SIGMA ON-LINE - DRAWING





## 4" MINI SIGMA ON-LINE

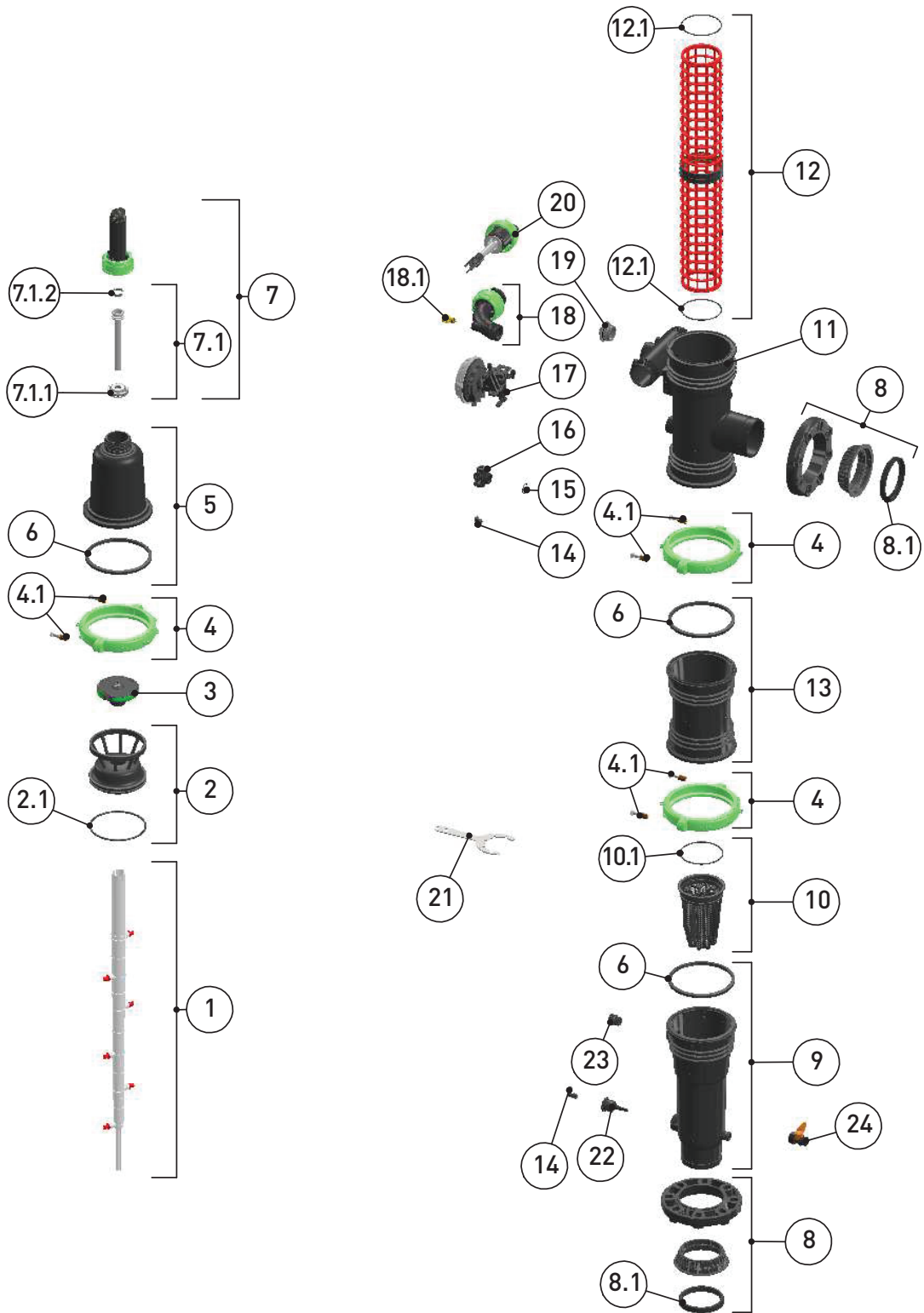
NO.	DESCRIPTION	SAP. CAT.NO.
1	SCANNER 754 ASSEMBLY W/STRAIGHT NOZZLE 8MM F/SIGMA 4"	700190-005532
2	SEPARATION PLATE ASSEMBLY W/O-RING 2-361 EPDM	700190-005252
2.1	PARKER O-RING 2-361 EPDM 70 SHORE YELLOW DOT	770102-000048
3	TURBINE ASSEMBLY F/MINI AND PRO SIGMA	700190-005150
4	CLAMP ASSEMBLY FOR MINI SIGMA	700190-005396
4.1	SET BOLTS NUTS WASHERS F/CLAMP MINI SIGMA ASSY	700190-005413
5	COVER ASSEMBLY F/MINI SIGMA W/HYDRAULIC SEAL	700190-005395
6	HYDRAULIC SEAL 2"-3" EPDM 70 SHORE MINI SIGMA	770104-000358
7	ACTUATOR ASSEMBLY F/MINI SIGMA	700190-005154
7.1	ACTUATOR PISTON ASSEMBLY F/MINI SIGMA	700190-005161
7.1.1	SEAL HOLDER ASSEMBLY F/MINI SIGMA	700190-005153
7.1.2	U-CUP SEAL NBR OD38MM ID30MM H6.35MM 70 SHORE	770105-000010
8	4" AKF UNIVERSAL ASSEMBLY	700190-000227
8.1	GASKET 4" EPDM 70 SHORE QUICK FLANGE	770104-000253
9	4" MINI SIGMA ON-LINE LOW BODY VIC ASSEMBLY W/HYD SEAL	700190-005404
10	COARSE SCREEN ASSEMBLY F/MINI SIGMA	700190-005149
10.1	MM O-RING SEAL ID117MM TH4MM EPDM 70 SHORE YELLOW DOT	770101-000198
11	MINI SIGMA BODY 4" VIC RPA BLACK	710101-001384
12	MOLDED WEAVEWIRE SCREEN S/ST316L 2400SQ.CM 130MIC SIGMA EPDM SEALS <b>For all available filtration degrees. See pages 40-41.</b>	700101-002142
12.1	PARKER O-RING 2-244 EPDM 70 SHORE YELLOW DOT	770102-000384
13	SPACER ASSEMBLY W/HYD SEAL F/4" MINI SIGMA	700190-005533
14	L-CONNECTOR 1/4"M x 8MM BSPT ACETAL BLACK TEFEN	720501-000139

[Continued]

## 4" MINI SIGMA ON-LINE (continued)

NO.	DESCRIPTION	SAP. CAT.NO.
15	PARKER O-RING 2-120 EPDM 70 SHORE YELLOW DOT	770102-000500
16	TOP DIVISOR SIGMA RPA	710103-009569
17	ADI-P DC 1 BACSOL 12VDC 2W LATCH 8MM TEFFEN F/MINI SIGMA ASSY	700103-001707
18	DRAIN PIPE ASSEMBLY 1.5" BSPT F/MINI SIGMA	700190-005151
	DRAIN PIPE ASSEMBLY 1.5" NPT F/MINI SIGMA	700190-005255
18.1	VACUUM BREAKER ASSEMBLY F/MINI SIGMA	700190-005152
19	1.5"-1/4" PLUG ASSEMBLY W/O-RING 2-131 EPDM	700190-005254
20	VALVE ACTUATOR ASSEMBLY F/MINI SIGMA	700190-005241
21	WRENCH GALVANIZED F/NUT MINI SIGMA	760109-000472
22	1"*1/4" BUSHING + SEAL ASSY	700190-000206
23	PLUG + SEAL 3/4" PP TAVLIT	780101-000113

## 4" MINI SIGMA ANGLE - DRAWING



## 4" MINI SIGMA ANGLE

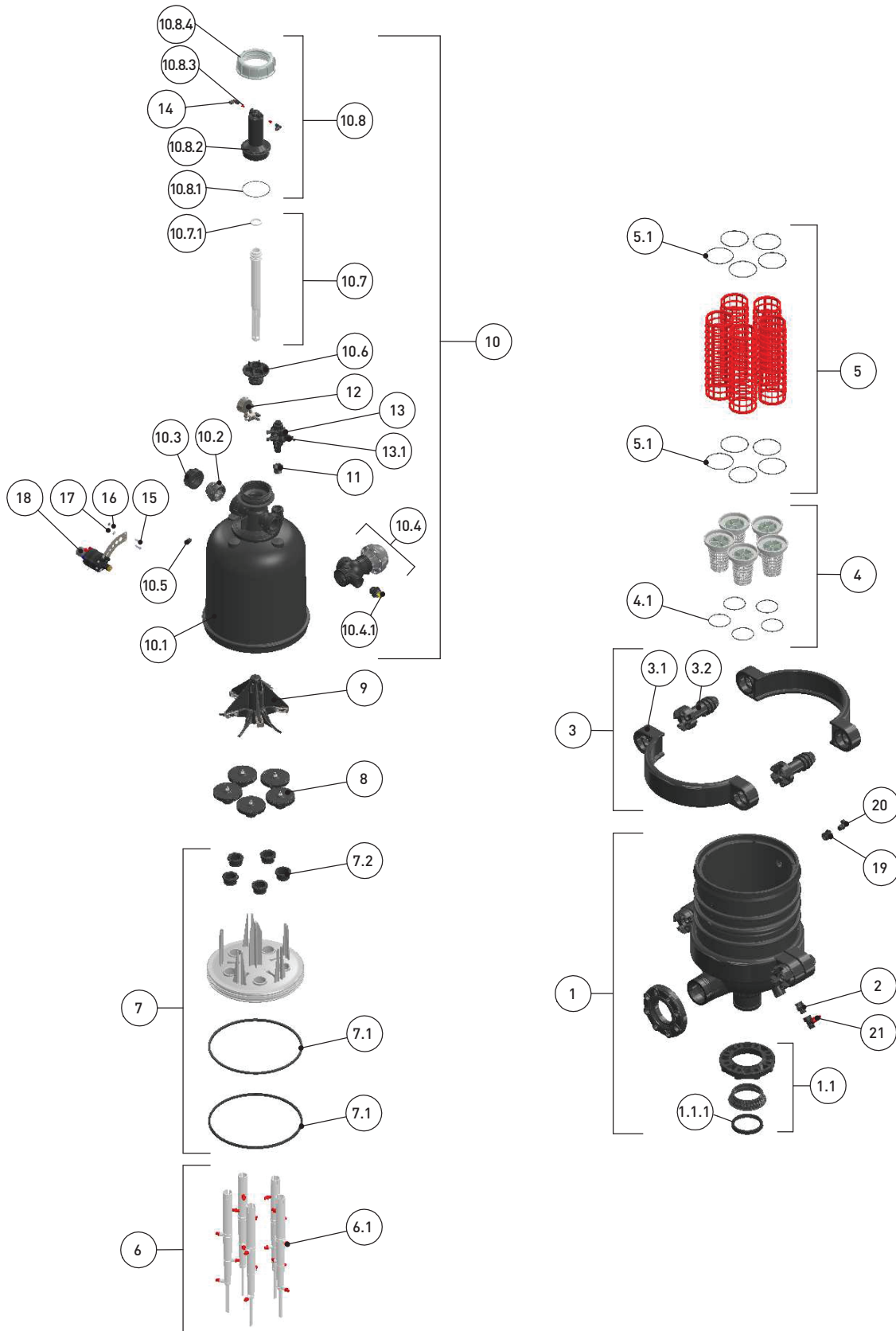
NO.	DESCRIPTION	SAP. CAT.NO.
1	SCANNER 754 ASSEMBLY W/STRAIGHT NOZZLE 8MM F/SIGMA 4"	700190-005532
2	SEPARATION PLATE ASSEMBLY W/O-RING 2-361 EPDM	700190-005252
2.1	PARKER O-RING 2-361 EPDM 70 SHORE YELLOW DOT	770102-000048
3	TURBINE ASSEMBLY F/MINI AND PRO SIGMA	700190-005150
4	CLAMP ASSEMBLY FOR MINI SIGMA	700190-005396
4.1	SET BOLTS NUTS WASHERS F/CLAMP MINI SIGMA ASSY	700190-005413
5	COVER ASSEMBLY F/MINI SIGMA W/HYDRAULIC SEAL	700190-005395
6	HYDRAULIC SEAL 2"-3" EPDM 70 SHORE MINI SIGMA	770104-000358
7	ACTUATOR ASSEMBLY F/MINI SIGMA	700190-005154
7.1	ACTUATOR PISTON ASSEMBLY F/MINI SIGMA	700190-005161
7.1.1	SEAL HOLDER ASSEMBLY F/MINI SIGMA	700190-005153
7.1.2	U-CUP SEAL NBR OD38MM ID30MM H6.35MM 70 SHORE	770105-000010
8	4" AKF UNIVERSAL ASSEMBLY	700190-000227
8.1	GASKET 4" EPDM 70 SHORE QUICK FLANGE	770104-000253
9	4" MINI SIGMA ANGLE LOW BODY VIC ASSEMBLY W/HYD SEAL	700190-005403
10	COARSE SCREEN ASSEMBLY F/MINI SIGMA	700190-005149
10.1	MM O-RING SEAL ID117MM TH4MM EPDM 70 SHORE YELLOW DOT	770101-000198
11	MINI SIGMA BODY 4"VIC RPA BLACK	710101-001384
12	MOLDED WEAWEWIRE SCREEN S/ST316L 2400SQ.CM 130MIC MINI SIGMA EPDM SEALS <b>For all available filtration degrees. See pages 40-41.</b>	700101-002142
12.1	PARKER O-RING 2-244 EPDM 70 SHORE YELLOW DOT	770102-000384
13	SPACER ASSEMBLY W/HYD SEAL F/4" MINI SIGMA	700190-005533
14	L-CONNECTOR ¼"M x 8MM BSPT ACETAL BLACK TEFEN	720501-000139

(Continued)

## 4" MINI SIGMA ANGLE (continued)

NO.	DESCRIPTION	SAP. CAT.NO.
15	PARKER O-RING 2-120 EPDM 70 SHORE YELLOW DOT	770102-000500
16	TOP DIVISOR SIGMA RPA	710103-009569
17	ADI-P DC 1 BACSOL 12VDC 2W LATCH 8MM TEFFEN F/MINI SIGMA ASSY	700103-001707
18	DRAIN PIPE ASSEMBLY 1.5" BSPT F/MINI SIGMA	700190-005151
	DRAIN PIPE ASSEMBLY 1.5" NPT F/MINI SIGMA	700190-005255
18.1	VACUUM BREAKER ASSEMBLY F/MINI SIGMA	700190-005152
19	1.5"-1/4" PLUG ASSEMBLY W/O-RING 2-131 EPDM	700190-005254
20	VALVE ACTUATOR ASSEMBLY F/MINI SIGMA	700190-005241
21	WRENCH GALVANIZED F/NUT MINI SIGMA	760109-000472
22	1"*1/4" BUSHING + SEAL ASSY	700190-000206
23	PLUG + SEAL 3/4" PP TAVLIT	780101-000113
24	BALL VALVE AC 3/4" 10 BAR BLACK	300005-000006

## 4" SIGMA PRO HYDRAULIC - DRAWING



## 4" SIGMA PRO HYDRAULIC

NO.	DESCRIPTION	SAP. CAT.NO.
1	BODY W/SLEEVE ASSEMBLY F/4" SIGMA/AKF	700190-004220
1.1	4" AKF UNIVERSAL ASSEMBLY	700190-000227
1.1.1	GASKET 4" EPDM 70 SHORE QUICK FLANGE	770104-000253
2	REDUCER ¾" x 1" MALE PP PLASSON	780101-000220
3	CLAMP ASSEMBLY FOR 4" GALAXY/SIGMA	700190-004133
3.1	CLAMP 4" GALAXY/SIGMA RPA	710103-005220
3.2	SET SCREW WASHER F/CLAMP SIGMA ME ASSY	700190-005415
4	BOTTOM W/PRESCREEN ASSEMBLY F/4" SIGMA	700190-004222
4.1	PARKER O-RING 2-237 EPDM 70 SHORE YELLOW DOT	770102-000034
5	MOLDED WEAWEWIRE SCREEN S/ST316L 1200SQ.CM 130MIC SIGMA EPDM SEALS <b>For all available filtration degrees. See pages 40-41.</b>	700101-001505
5.1	PARKER O-RING 2-244 EPDM 70 SHORE YELLOW DOT	770102-000384
6	SCANNER 375 ASSEMBLY W/STRAIGHT NOZZLE 8MM F/SIGMA 4"	700190-005106
6.1	SET STRAIGHT NOZZLE 8MM HDPE RED F/SIGMA PRO ASSY	700190-005419
7	UPPER PLATE ASSEMBLY F/SIGMA PRO	700190-005418
7.1	HYDRAULIC SEAL EPDM SIGMA	770104-000311
7.2	BUSHING W/LOCK RING ASSEMBLY F/SIGMA PRO	700190-005417
8	TURBINE ASSEMBLY F/MINI AND PRO SIGMA	700190-005150
9	BRIDGE ASSEMBLY W/CLIPS F/SIGMA PRO	700190-005416
10	FLUSHING ASSEMBLY F/SIGMA 4"/6"/8"	700190-004641
10.1	COVER W/DRAIN BODY ASSEMBLY F/SIGMA 4"/6"/8"	700190-004685
10.2	ADAPTOR ASSY NUT + SEALS	700190-000195
10.3	CAP ASSEMBLY 2" T BSP	700190-001241

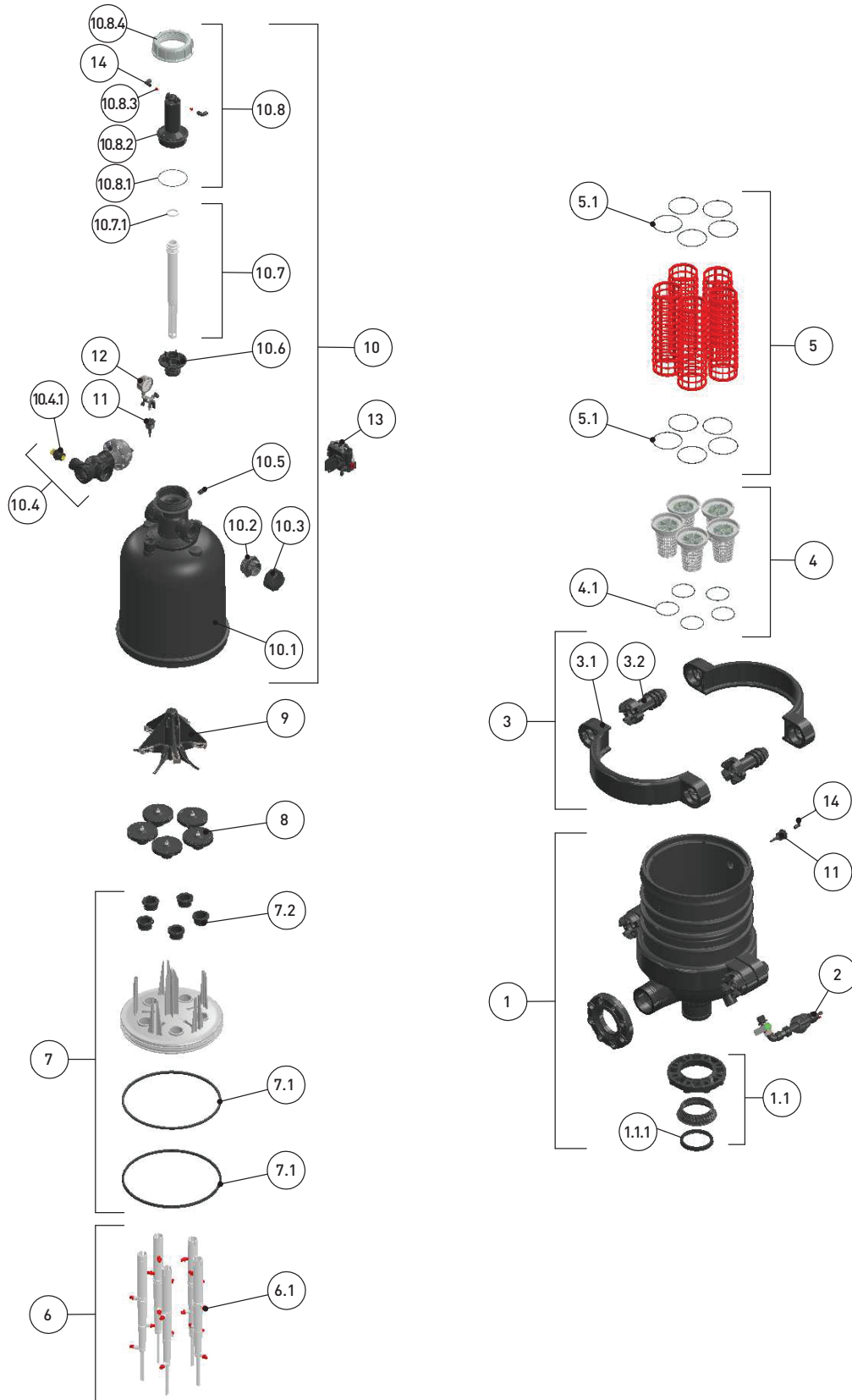
(Continued)

## 4" SIGMA PRO HYDRAULIC (continued)

NO.	DESCRIPTION	SAP. CAT.NO.
10.4	POLYMERIC FLUSH VALVE ASSEMBLY 2" NC BSP STD	700190-004807
10.4.1	1" VACUUM BREAKER (ARKAL/SIGMA) ASSEMBLY	700190-003406
10.5	STRAIGHT CONNECTOR 1/4" F x 8MM BSPT RPP BLACK TEFEN	720501-000134
10.6	PISTON BUSHING ASSEMBLY W/O-RINGS F/SIGMA PRO	700190-005420
10.7	PISTON W/U-CUP SEAL F/SIGMA PRO ASSY	700190-005441
10.7.1	U-CUP SEAL NBR OD50MM ID40MM H7MM 70 SHORE	770105-000011
10.8	ASSEMBLY PISTON CYLINDER F/SIGMA PRO ASSY	700190-005421
10.8.1	PARKER O-RING 2-156 EPDM 70 SHORE YELLOW DOT	770102-000027
10.8.2	SIGMA PISTON CYLINDER PBT BLACK	710101-001295
10.8.3	SIGMA PISTON NOZZLE 1.2 MM PP RED	710101-001308
10.8.4	PISTON HOUSING EXTERNAL NUT SIGMA PRO RPA	710103-010056
11	1"*3/4" BUSHING + SEAL ASSY	700190-000207
12	PRESSURE GAUGE ASSEMBLY F/3" 8MM TEF.	700190-003224
13	TOP DIVISOR ASSEMBLY F/4"-6"-8" SIGMA	700190-004632
13.1	RINSE ACTIVATION VALVE PP	300005-000022
14	L-CONNECTOR 1/4" M x 8MM BSPT ACETAL BLACK TEFEN	720501-000139
15	HEX BOLT FULL THRD 1/4" UNC 1" S/ST304 ASME B18.2.1	760101-000030
16	FLAT WASHER 1/4" SPECIAL S/ST304	760103-000005
17	HEX NUT 1/4" UNC S/ST304 B18.2.2	760102-000006
18	SIGMA 6-8 RINSE CONTROLLER ASSY LONG	700190-004532
19	1"*1/2" BUSHING + SEAL ASSY	700190-004472
20	L-CONNECTOR 1/2" M x 12MM BSP ACETAL BLACK JOHN-GUEST	720501-000663
21	BALL VALVE AC 3/4" 10 BAR BLACK	300005-000001



# 4" SIGMA PRO ELECTRONIC – DRAWING



## 4" SIGMA PRO ELECTRONIC

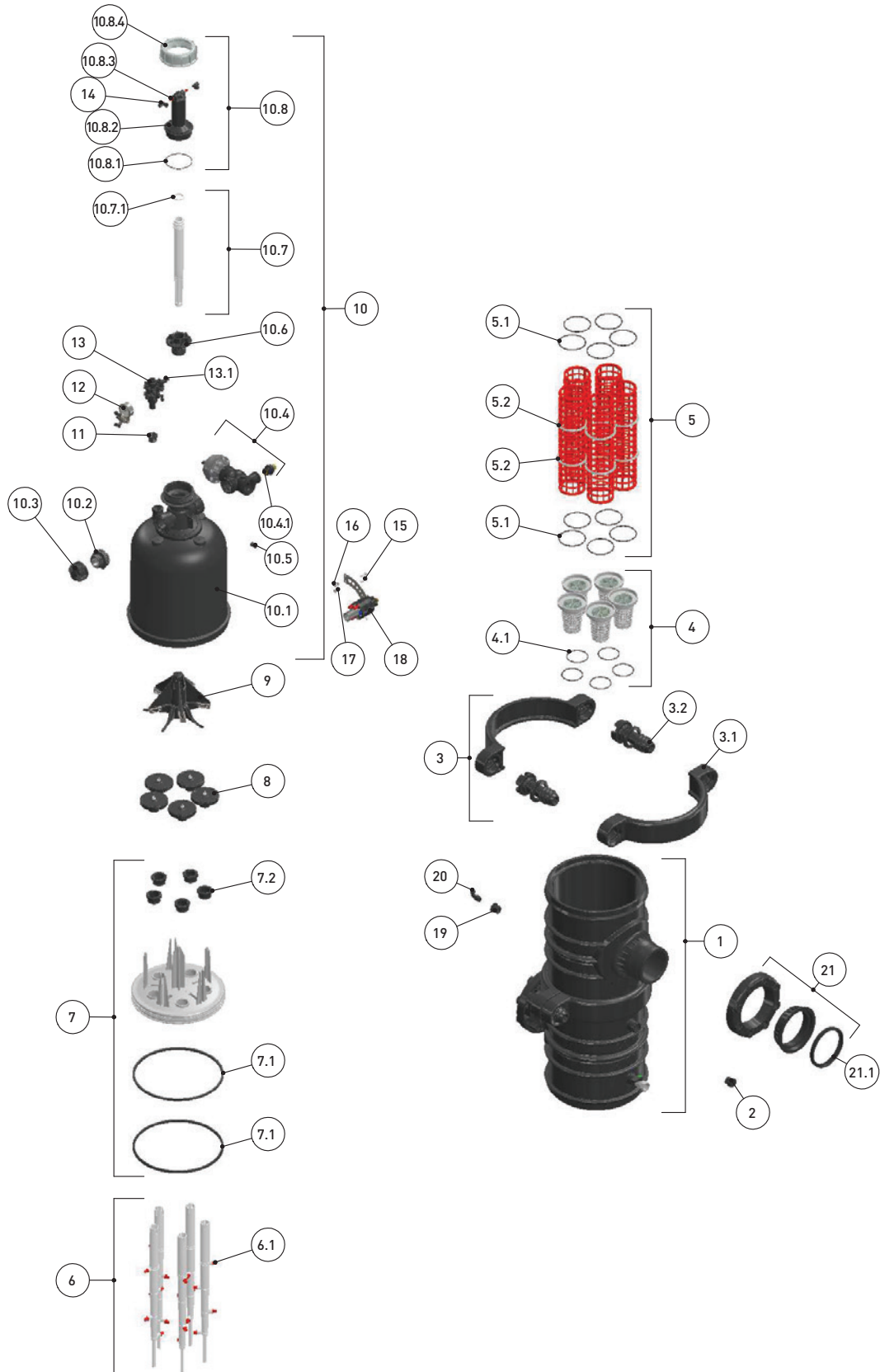
NO.	DESCRIPTION	SAP. CAT.NO.
1	BODY W/SLEEVE ASSEMBLY F/4" SIGMA/AKF	700190-004220
1.1	4" AKF UNIVERSAL ASSEMBLY	700190-000227
1.1.1	GASKET 4" EPDM 70 SHORE QUICK FLANGE	770104-000253
2	1" CONTROL FILTER ASSEMBLY 8MM TF F/SIGMA	700190-004877
3	CLAMP ASSEMBLY FOR 4" GALAXY/SIGMA	700190-004133
3.1	CLAMP 4" GALAXY/SIGMA RPA	710103-005220
3.2	SET SCREW WASHER F/CLAMP SIGMA ME ASSY	700190-005415
4	BOTTOM W/PRESCREEN ASSEMBLY F/4" SIGMA	700190-004222
4.1	PARKER O-RING 2-237 EPDM 70 SHORE YELLOW DOT	770102-000034
5	MOLDED WEAVEWIRE SCREEN S/ST316L 1200SQ.CM 130MIC SIGMA EPDM SEALS <b>For all available filtration degrees. See pages 40-41.</b>	700101-001505
5.1	PARKER O-RING 2-244 EPDM 70 SHORE YELLOW DOT	770102-000384
6	SCANNER 375 ASSEMBLY W/STRAIGHT NOZZLE 8MM F/SIGMA 4"	700190-005106
6.1	SET STRAIGHT NOZZLE 8MM HDPE RED F/SIGMA PRO ASSY	700190-005419
7	UPPER PLATE ASSEMBLY F/SIGMA PRO	700190-005418
7.1	HYDRAULIC SEAL EPDM SIGMA	770104-000311
7.2	BUSHING W/LOCK RING ASSEMBLY F/SIGMA PRO	700190-005417
8	TURBINE ASSEMBLY F/MINI AND PRO SIGMA	700190-005150
9	BRIDGE ASSEMBLY W/CLIPS F/SIGMA PRO	700190-005416
10	FLUSHING ASSEMBLY F/SIGMA 4"/6"/8"	700190-004641
10.1	COVER W/DRAIN BODY ASSEMBLY F/SIGMA 4"/6"/8"	700190-004685
10.2	ADAPTOR ASSY NUT + SEALS	700190-000195
10.3	CAP ASSEMBLY 2" T BSP	700190-001241

(Continued)

## 4" SIGMA PRO ELECTRONIC (continued)

NO.	DESCRIPTION	SAP. CAT.NO.
10.4	POLYMERIC FLUSH VALVE ASSEMBLY 2" NC BSP STD	700190-004807
10.4.1	1" VACUUM BREAKER (ARKAL/SIGMA) ASSEMBLY	700190-003406
10.5	STRAIGHT CONNECTOR 1/4" F x 8MM BSPT RPP BLACK TEFEN	720501-000134
10.6	PISTON BUSHING ASSEMBLY W/O-RINGS F/SIGMA PRO	700190-005420
10.7	PISTON W/U-CUP SEAL F/SIGMA PRO ASSY	700190-005441
10.7.1	U-CUP SEAL NBR OD50MM ID40MM H7MM 70 SHORE	770105-000011
10.8	ASSEMBLY PISTON CYLINDER F/SIGMA PRO ASSY	700190-005421
10.8.1	PARKER O-RING 2-156 EPDM 70 SHORE YELLOW DOT	770102-000027
10.8.2	SIGMA PISTON CYLINDER PBT BLACK	710101-001295
10.8.3	SIGMA PISTON NOZZLE 1.2 MM PP RED	710101-001308
10.8.4	PISTON HOUSING EXTERNAL NUT SIGMA PRO RPA	710103-010056
11	1"*1/4" BUSHING + SEAL ASSY	700190-000206
12	PRESSURE GAUGE ASSEMBLY F/3" 8MM TEF.	700190-001980
13	ADI-P DC 1 BACSOL 12VDC 2W LATCH 8MM TEFFEN F/SIGMA ASSY	700103-001636
14	L-CONNECTOR 1/4" M x 8MM BSPT ACETAL BLACK TEFEN	720501-000139

## 6" SIGMA PRO HYDRAULIC - DRAWING



## 6" SIGMA PRO HYDRAULIC

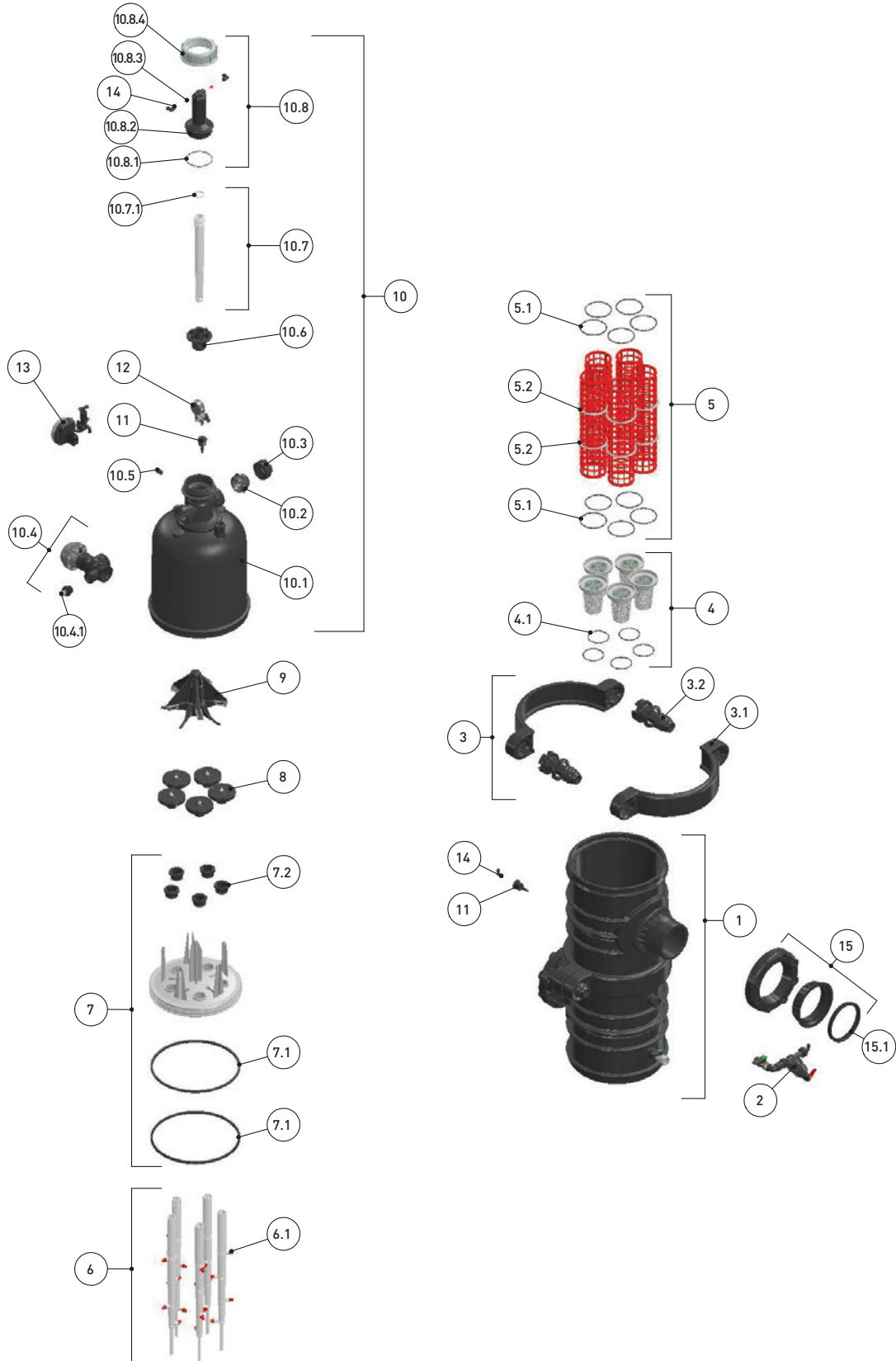
NO.	DESCRIPTION	SAP. CAT.NO.
1	BODY W/SLEEVE ASSEMBLY F/SIGMA 6" VIC	700190-005116
2	1" PLUG TAVLIT ASSEMBLY WITH O-RING 2-123 EPDM	700190-004893
3	CLAMP ASSEMBLY FOR 4" GALAXY/SIGMA	700190-004133
3.1	CLAMP 4" GALAXY/SIGMA RPA	710103-005220
3.2	SET SCREW WASHER F/CLAMP SIGMA ME ASSY	700190-005415
4	BOTTOM W/PRESCREEN ASSEMBLY F/4" SIGMA	700190-004222
4.1	PARKER O-RING 2-237 EPDM 70 SHORE YELLOW DOT	770102-000034
5	MOLDED WEAWEWIRE SCREEN S/ST316L 1600SQ.CM 130MIC 6"-8" SIGMA EPDM SEALS <b>For all available filtration degrees. See pages 40-41.</b>	700101-001534
5.1	PARKER O-RING 2-244 EPDM 70 SHORE YELLOW DOT	770102-000384
5.2	SIGMA SCREEN SUPPORT RING RPP GREY	710101-001380
6	SCANNER 500 ASSEMBLY W/STRAIGHT NOZZLE 8MM F/SIGMA 6"/8"	700190-005105
6.1	SET STRAIGHT NOZZLE 8MM HDPE RED F/SIGMA PRO ASSY	700190-005419
7	UPPER PLATE ASSEMBLY F/SIGMA PRO	700190-005418
7.1	HYDRAULIC SEAL EPDM SIGMA	770104-000311
7.2	BUSHING W/LOCK RING ASSEMBLY F/SIGMA PRO	700190-005417
8	TURBINE ASSEMBLY F/MINI AND PRO SIGMA	700190-005150
9	BRIDGE ASSEMBLY W/CLIPS F/SIGMA PRO	700190-005416
10	FLUSHING ASSEMBLY F/SIGMA 4"/6"/8"	700190-004641
10.1	COVER W/DRAIN BODY ASSEMBLY F/SIGMA 4"/6"/8"	700190-004685
10.2	ADAPTOR ASSY NUT + SEALS	700190-000195
10.3	CAP ASSEMBLY 2" T BSP	700190-001241
10.4	POLYMERIC FLUSH VALVE ASSEMBLY 2" NC BSP STD	700190-004807

(Continued)

## 6" SIGMA PRO HYDRAULIC (continued)

NO.	DESCRIPTION	SAP. CAT.NO.
10.4.1	1" VACUUM BREAKER (ARKAL/SIGMA) ASSEMBLY	700190-003406
10.5	STRAIGHT CONNECTOR ¼" F x 8MM BSPT RPP BLACK TEFEN	720501-000134
10.6	PISTON BUSHING ASSEMBLY W/O-RINGS F/SIGMA PRO	700190-005420
10.7	PISTON W/U-CUP SEAL F/SIGMA PRO ASSY	700190-005441
10.7.1	U-CUP SEAL NBR OD50MM ID40MM H7MM 70 SHORE	770105-000011
10.8	ASSEMBLY PISTON CYLINDER F/SIGMA PRO ASSY	700190-005421
10.8.1	PARKER O-RING 2-156 EPDM 70 SHORE YELLOW DOT	770102-000027
10.8.2	SIGMA PISTON CYLINDER PBT BLACK	710101-001295
10.8.3	SIGMA PISTON NOZZLE 1.2 MM PP RED	710101-001308
10.8.4	PISTON HOUSING EXTERNAL NUT SIGMA PRO RPA	710103-010056
11	1"*¾" BUSHING + SEAL ASSY	700190-000207
12	PRESSURE GAUGE ASSEMBLY F/3" 8MM TEF.	700190-003224
13	TOP DIVISOR ASSEMBLY F/4"-6"-8" SIGMA	700190-004632
13.1	RINSE ACTIVATION VALVE PP	300005-000022
14	L-CONNECTOR ¼" M x 8MM BSPT ACETAL BLACK TEFEN	720501-000139
15	HEX BOLT FULL THRD ¼" UNC 1" S/ST304 ASME B18.2.1	760101-000030
16	FLAT WASHER ¼" SPECIAL S/ST304	760103-000005
17	HEX NUT ¼" UNC S/ST304 B18.2.2	760102-000006
18	SIGMA 6-8 RINSE CONTROLLER ASSY LONG	700190-004532
19	1"*½" BUSHING + SEAL ASSY	700190-004472
20	L-CONNECTOR ½" M x 12MM BSP ACETAL BLACK JOHN-GUEST	720501-000663
21	6" AKF UNIVERSAL ASSY	700190-000238
21.1	GASKET 6" EPDM 70 SHORE QUICK FLANGE	770104-000036

## 6" SIGMA PRO ELECTRONIC - DRAWING



## 6" SIGMA PRO ELECTRONIC

NO.	DESCRIPTION	SAP. CAT.NO.
1	BODY W/SLEEVE ASSEMBLY F/SIGMA 6" VIC	700190-005116
2	1" CONTROL FILTER ASSEMBLY 8MM TF F/SIGMA	700190-004877
3	CLAMP ASSEMBLY FOR 4" GALAXY/SIGMA	700190-004133
3.1	CLAMP 4" GALAXY/SIGMA RPA	710103-005220
3.2	SET SCREW WASHER F/CLAMP SIGMA ME ASSY	700190-005415
4	BOTTOM W/PRESCREEN ASSEMBLY F/4" SIGMA	700190-004222
4.1	PARKER O-RING 2-237 EPDM 70 SHORE YELLOW DOT	770102-000034
5	MOLDED WEAWEWIRE SCREEN S/ST316L 1600SQ.CM 130MIC 6"-8" SIGMA EPDM SEALS <b>For all available filtration degrees. See pages 40-41.</b>	700101-001534
5.1	PARKER O-RING 2-244 EPDM 70 SHORE YELLOW DOT	770102-000384
5.2	SIGMA SCREEN SUPPORT RING RPP GREY	710101-001380
6	SCANNER 500 ASSEMBLY W/STRAIGHT NOZZLE 8MM F/SIGMA 6"/8"	700190-005105
6.1	SET STRAIGHT NOZZLE 8MM HDPE RED F/SIGMA PRO ASSY	700190-005419
7	UPPER PLATE ASSEMBLY F/SIGMA PRO	700190-005418
7.1	HYDRAULIC SEAL EPDM SIGMA	770104-000311
7.2	BUSHING W/LOCK RING ASSEMBLY F/SIGMA PRO	700190-005417
8	TURBINE ASSEMBLY F/MINI AND PRO SIGMA	700190-005150
9	BRIDGE ASSEMBLY W/CLIPS F/SIGMA PRO	700190-005416
10	FLUSHING ASSEMBLY F/SIGMA 4"/6"/8"	700190-004641
10.1	COVER W/DRAIN BODY ASSEMBLY F/SIGMA 4"/6/8"	700190-004685
10.2	ADAPTOR ASSY NUT + SEALS	700190-000195
10.3	CAP ASSEMBLY 2" T BSP	700190-001241
10.4	POLYMERIC FLUSH VALVE ASSEMBLY 2" NC BSP STD	700190-004807

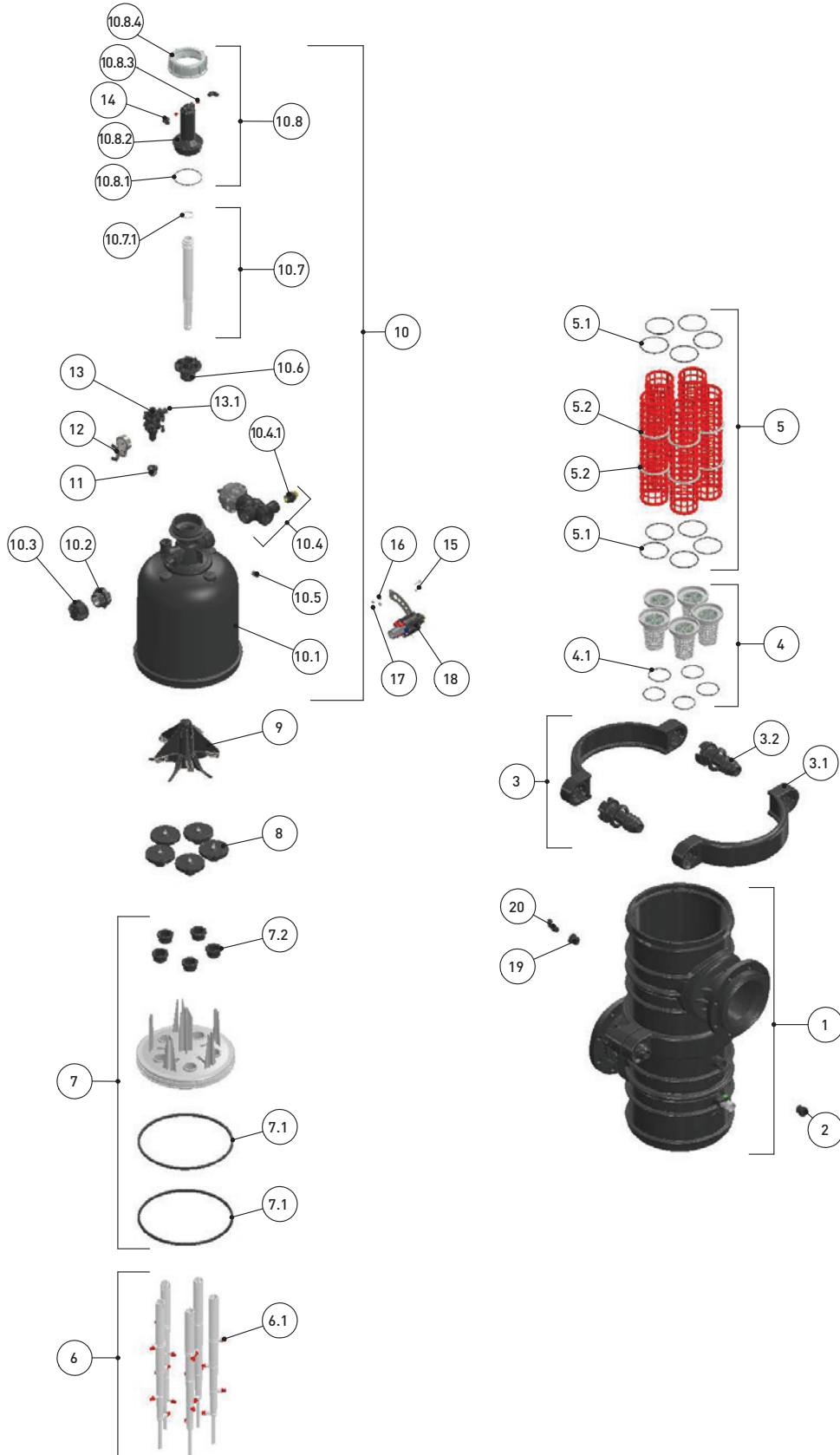
(Continued)



## 6" SIGMA PRO ELECTRONIC (continued)

NO.	DESCRIPTION	SAP. CAT.NO.
10.4.1	1" VACUUM BREAKER (ARKAL/SIGMA) ASSEMBLY	700190-003406
10.5	STRAIGHT CONNECTOR ¼"F x 8MM BSPT RPP BLACK TEFEN	720501-000134
10.6	PISTON BUSHING ASSEMBLY W/O-RINGS F/SIGMA PRO	700190-005420
10.7	PISTON W/U-CUP SEAL F/SIGMA PRO ASSY	700190-005441
10.7.1	U-CUP SEAL NBR OD50MM ID40MM H7MM 70 SHORE	770105-000011
10.8	ASSEMBLY PISTON CYLINDER F/SIGMA PRO ASSY	700190-005421
10.8.1	PARKER O-RING 2-156 EPDM 70 SHORE YELLOW DOT	770102-000027
10.8.2	SIGMA PISTON CYLINDER PBT BLACK	710101-001295
10.8.3	SIGMA PISTON NOZZLE 1.2 MM PP RED	710101-001308
10.8.4	PISTON HOUSING EXTERNAL NUT SIGMA PRO RPA	710103-010056
11	1"*¼" BUSHING + SEAL ASSY	700190-000206
12	PRESSURE GAUGE ASSEMBLY F/2" 8MM TEF.	700190-001980
13	ADI-P DC 1 BACSOL 12VDC 2W LATCH 8MM TEFFEN F/SIGMA ASSY	700103-001636
14	L-CONNECTOR ¼"M x 8MM BSPT ACETAL BLACK TEFEN	720501-000139
15	6" AKF UNIVERSAL ASSY	700190-000238
15.1	GASKET 6" EPDM 70 SHORE QUICK FLANGE	770104-000036

# 8" SIGMA PRO HYDRAULIC - DRAWING



## 8" SIGMA PRO HYDRAULIC

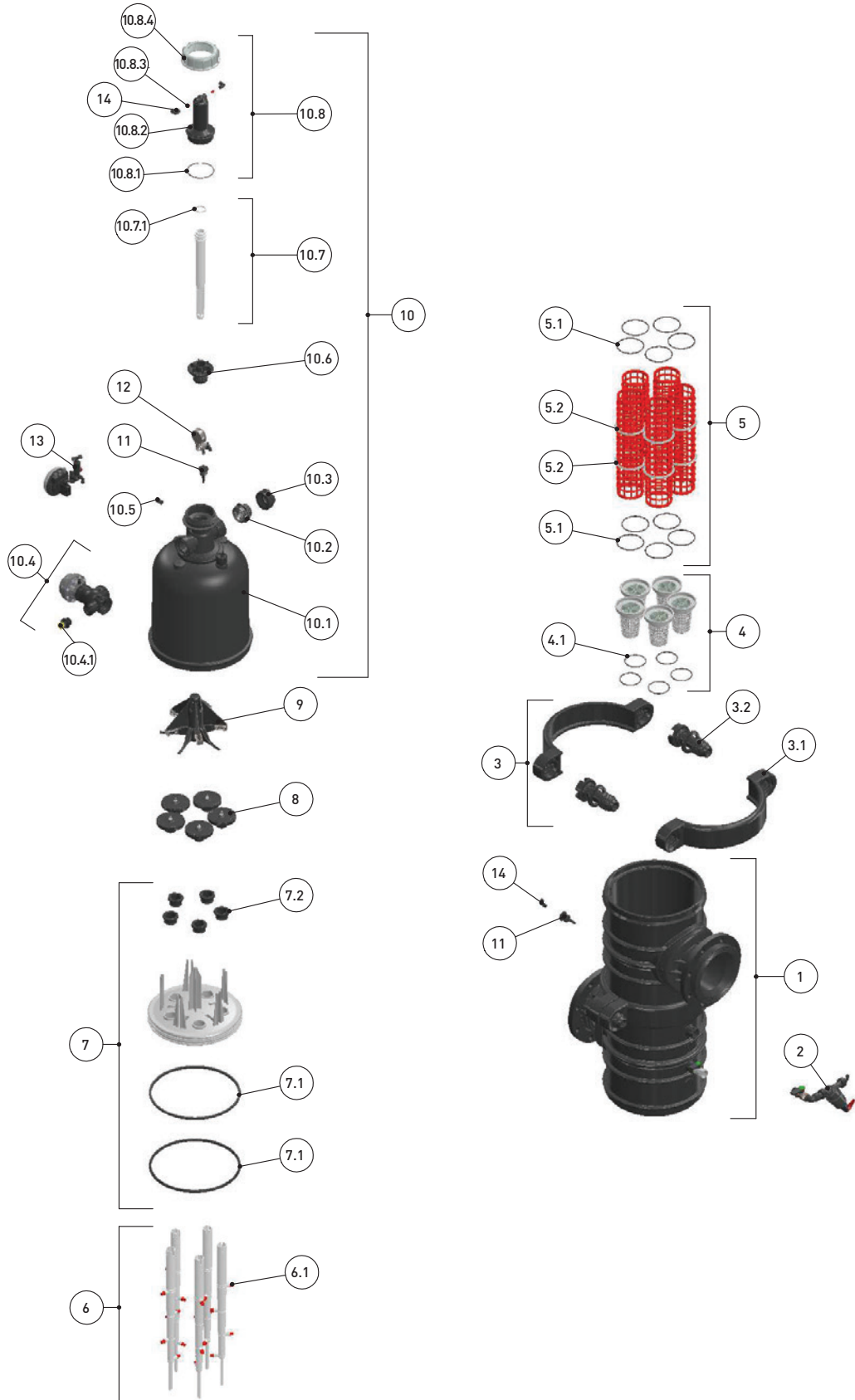
NO.	DESCRIPTION	SAP. CAT.NO.
1	BODY W/SLEEVE ASSEMBLY F/SIGMA 8" ASA/ISO	700190-004635
	BODY W/SLEEVE ASSEMBLY F/SIGMA 8" BSTD	700190-004636
2	1" PLUG TAVLIT ASSEMBLY WITH O-RING 2-123 EPDM	700190-004893
3	CLAMP ASSEMBLY FOR 4" GALAXY/SIGMA	700190-004133
3.1	CLAMP 4" GALAXY/SIGMA RPA	710103-005220
3.2	SET SCREW WASHER F/CLAMP SIGMA ME ASSY	700190-005415
4	BOTTOM W/PRESCREEN ASSEMBLY F/4" SIGMA	700190-004222
4.1	PARKER O-RING 2-237 EPDM 70 SHORE YELLOW DOT	770102-000034
5	MOLDED WEAVEWIRE SCREEN S/ST316L 1600SQ.CM 130MIC 6"-8" SIGMA EPDM SEALS <b>For all available filtration degrees. See pages 40-41.</b>	700101-001534
5.1	PARKER O-RING 2-244 EPDM 70 SHORE YELLOW DOT	770102-000384
5.2	SIGMA SCREEN SUPPORT RING RPP GREY	710101-001380
6	SCANNER 500 ASSEMBLY W/STRAIGHT NOZZLE 8MM F/SIGMA 6"/8"	700190-005105
6.1	SET STRAIGHT NOZZLE 8MM HDPE RED F/SIGMA PRO ASSY	700190-005419
7	UPPER PLATE ASSEMBLY F/SIGMA PRO	700190-005418
7.1	HYDRAULIC SEAL EPDM SIGMA	770104-000311
7.2	BUSHING W/LOCK RING ASSEMBLY F/SIGMA PRO	700190-005417
8	TURBINE ASSEMBLY F/MINI AND PRO SIGMA	700190-005150
9	BRIDGE ASSEMBLY W/CLIPS F/SIGMA PRO	700190-005416
10	FLUSHING ASSEMBLY F/SIGMA 4"/6"/8"	700190-004641
10.1	COVER W/DRAIN BODY ASSEMBLY F/SIGMA 4"/6"/8"	700190-004685
10.2	ADAPTOR ASSY NUT + SEALS	700190-000195
10.3	CAP ASSEMBLY 2" T BSP	700190-001241

(Continued)

## 8" SIGMA PRO HYDRAULIC (continued)

NO.	DESCRIPTION	SAP. CAT.NO.
10.4	POLYMERIC FLUSH VALVE ASSEMBLY 2"NC BSP STD	700190-004807
10.4.1	1" VACUUM BREAKER (ARKAL/SIGMA) ASSEMBLY	700190-003406
10.5	STRAIGHT CONNECTOR ¼"F x 8MM BSPT RPP BLACK TEFEN	720501-000134
10.6	PISTON BUSHING ASSEMBLY W/O-RINGS F/SIGMA PRO	700190-005420
10.7	PISTON W/U-CUP SEAL F/SIGMA PRO ASSY	700190-005441
10.7.1	U-CUP SEAL NBR OD50MM ID40MM H7MM 70 SHORE	770105-000011
10.8	ASSEMBLY PISTON CYLINDER F/SIGMA PRO ASSY	700190-005421
10.8.1	PARKER O-RING 2-156 EPDM 70 SHORE YELLOW DOT	770102-000027
10.8.2	SIGMA PISTON CYLINDER PBT BLACK	710101-001295
10.8.3	SIGMA PISTON NOZZLE 1.2 MM PP RED	710101-001308
10.8.4	PISTON HOUSING EXTERNAL NUT SIGMA PRO RPA	710103-010056
11	1"*¾" BUSHING + SEAL ASSY	700190-000207
12	PRESSURE GAUGE ASSEMBLY F/3" 8MM TEF.	700190-003224
13	TOP DIVISOR ASSEMBLY F/4"-6"-8" SIGMA	700190-004632
13.1	RINSE ACTIVATION VALVE PP	300005-000022
14	L-CONNECTOR ¼"M x 8MM BSPT ACETAL BLACK TEFEN	720501-000139
15	HEX BOLT FULL THRD ¼" UNC 1" S/ST304 ASME B18.2.1	760101-000030
16	FLAT WASHER ¼" SPECIAL S/ST304	760103-000005
17	HEX NUT ¼" UNC S/ST304 B18.2.2	760102-000006
18	SIGMA 6-8 RINSE CONTROLLER ASSY LONG	700190-004532
19	1"*½" BUSHING + SEAL ASSY	700190-004472
20	L-CONNECTOR ½"M x 12MM BSP ACETAL BLACK JOHN-GUEST	720501-000663

# 8" SIGMA PRO ELECTRONIC – DRAWING



## 8" SIGMA PRO ELECTRONIC

NO.	DESCRIPTION	SAP. CAT.NO.
1	BODY W/SLEEVE ASSEMBLY F/SIGMA 8" ASA/ISO	700190-004635
	BODY W/SLEEVE ASSEMBLY F/SIGMA 8" BSTD	700190-004636
2	1" CONTROL FILTER ASSEMBLY 8MM TF F/SIGMA	700190-004877
3	CLAMP ASSEMBLY FOR 4" GALAXY/SIGMA	700190-004133
3.1	CLAMP 4" GALAXY/SIGMA RPA	710103-005220
3.2	SET SCREW WASHER F/CLAMP SIGMA ME ASSY	700190-005415
4	BOTTOM W/PRESCREEN ASSEMBLY F/4" SIGMA	700190-004222
4.1	PARKER O-RING 2-237 EPDM 70 SHORE YELLOW DOT	770102-000034
5	MOLDED WEAVEWIRE SCREEN S/ST316L 1600SQ.CM 130MIC 6"-8" SIGMA EPDM SEALS <b>For all available filtration degrees. See pages 40-41.</b>	700101-001534
5.1	PARKER O-RING 2-244 EPDM 70 SHORE YELLOW DOT	770102-000384
5.2	SIGMA SCREEN SUPPORT RING RPP GREY	710101-001380
6	SCANNER 500 ASSEMBLY W/STRAIGHT NOZZLE 8MM F/SIGMA 6"/8"	700190-005105
6.1	SET STRAIGHT NOZZLE 8MM HDPE RED F/SIGMA PRO ASSY	700190-005419
7	UPPER PLATE ASSEMBLY F/SIGMA PRO	700190-005418
7.1	HYDRAULIC SEAL EPDM SIGMA	770104-000311
7.2	BUSHING W/LOCK RING ASSEMBLY F/SIGMA PRO	700190-005417
8	TURBINE ASSEMBLY F/MINI AND PRO SIGMA	700190-005150
9	BRIDGE ASSEMBLY W/CLIPS F/SIGMA PRO	700190-005416
10	FLUSHING ASSEMBLY F/SIGMA 4"/6"/8"	700190-004641
10.1	COVER W/DRAIN BODY ASSEMBLY F/SIGMA 4"/6"/8"	700190-004685
10.2	ADAPTOR ASSY NUT + SEALS	700190-000195
10.3	CAP ASSEMBLY 2" T BSP	700190-001241

(Continued)

## 8" SIGMA PRO ELECTRONIC (continued)

NO.	DESCRIPTION	SAP. CAT.NO.
10.4	POLYMERIC FLUSH VALVE ASSEMBLY 2" NC BSP STD	700190-004807
10.4.1	1" VACUUM BREAKER (ARKAL/SIGMA) ASSEMBLY	700190-003406
10.5	STRAIGHT CONNECTOR ¼"F x 8MM BSPT RPP BLACK TEFEN	720501-000134
10.6	PISTON BUSHING ASSEMBLY W/O-RINGS F/SIGMA PRO	700190-005420
10.7	PISTON W/U-CUP SEAL F/SIGMA PRO ASSY	700190-005441
10.7.1	U-CUP SEAL NBR OD50MM ID40MM H7MM 70 SHORE	770105-000011
10.8	ASSEMBLY PISTON CYLINDER F/SIGMA PRO ASSY	700190-005421
10.8.1	PARKER O-RING 2-156 EPDM 70 SHORE YELLOW DOT	770102-000027
10.8.2	SIGMA PISTON CYLINDER PBT BLACK	710101-001295
10.8.3	SIGMA PISTON NOZZLE 1.2 MM PP RED	710101-001308
10.8.4	PISTON HOUSING EXTERNAL NUT SIGMA PRO RPA	710103-010056
11	1"*¼" BUSHING + SEAL ASSY	700190-000206
12	PRESSURE GAUGE ASSEMBLY F/2" 8MM TEF.	700190-001980
13	ADI-P DC 1 BACSOL 12VDC 2W LATCH 8MM TEFFEN F/SIGMA ASSY	700103-001636
14	L-CONNECTOR ¼"M x 8MM BSPT ACETAL BLACK TEFEN	720501-000139

## SCREENS

### FOR 2" MINI SIGMA & 4" SIGMA PRO

DESCRIPTION	SAP. CAT.NO.
MOLDED WEAWEWIRE SCREEN S/ST316L 1200SQ.CM 80MIC SIGMA EPDM SEALS	700101-001509
MOLDED WEAWEWIRE SCREEN S/ST316L 1200SQ.CM 100MIC SIGMA EPDM SEALS	700101-001506
MOLDED WEAWEWIRE SCREEN S/ST316L 1200SQ.CM 130MIC SIGMA EPDM SEALS	700101-001505
MOLDED WEAWEWIRE SCREEN S/ST316L 1200SQ.CM 200MIC SIGMA EPDM SEALS	700101-001507
MOLDED WEAWEWIRE SCREEN S/ST316L 1200SQ.CM 300MIC SIGMA EPDM SEALS	700101-001508
MOLDED WEAWEWIRE SCREEN S/ST316L 1200SQ.CM 500MIC SIGMA EPDM SEALS	700101-001634

### FOR 6" SIGMA PRO & 8" SIGMA PRO

DESCRIPTION	SAP. CAT.NO.
MOLDED WEAWEWIRE SCREEN S/ST316L 1600SQ.CM 80MIC 6"-8" SIGMA EPDM SEALS	700101-001603
MOLDED WEAWEWIRE SCREEN S/ST316L 1600SQ.CM 100MIC 6"-8" SIGMA EPDM SEALS	700101-001604
MOLDED WEAWEWIRE SCREEN S/ST316L 1600SQ.CM 130MIC 6"-8" SIGMA EPDM SEALS	700101-001534
MOLDED WEAWEWIRE SCREEN S/ST316L 1600SQ.CM 200MIC 6"-8" SIGMA EPDM SEALS	700101-001605
MOLDED WEAWEWIRE SCREEN S/ST316L 1600SQ.CM 300MIC 6"-8" SIGMA EPDM SEALS	700101-001606
MOLDED WEAWEWIRE SCREEN S/ST316L 1600SQ.CM 500MIC 6"-8" SIGMA EPDM SEALS	700101-001633

(Continued)



## SCREENS (continued)

### FOR 3" MINI SIGMA

DESCRIPTION	SAP. CAT.NO.
MOLDED WEAWEWIRE SCREEN S/ST316L 1600SQ.CM 80MIC MINI SIGMA EPDM SEALS	700101-002109
MOLDED WEAWEWIRE SCREEN S/ST316L 1600SQ.CM 100MIC MINI SIGMA EPDM SEALS	700101-002119
MOLDED WEAWEWIRE SCREEN S/ST316L 1600SQ.CM 130MIC MINI SIGMA EPDM SEALS	700101-002042
MOLDED WEAWEWIRE SCREEN S/ST316L 1600SQ.CM 200MIC MINI SIGMA EPDM SEALS	700101-002108
MOLDED WEAWEWIRE SCREEN S/ST316L 1600SQ.CM 300MIC MINI SIGMA EPDM SEALS	700101-002181
MOLDED WEAWEWIRE SCREEN S/ST316L 1600SQ.CM 500MIC MINI SIGMA EPDM SEALS	700101-002182

### FOR 4" MINI SIGMA

DESCRIPTION	SAP. CAT.NO.
MOLDED WEAWEWIRE SCREEN S/ST316L 2400SQ.CM 80MIC MINI SIGMA EPDM SEALS	700101-002188
MOLDED WEAWEWIRE SCREEN S/ST316L 2400SQ.CM 100MIC MINI SIGMA EPDM SEALS	700101-002189
MOLDED WEAWEWIRE SCREEN S/ST316L 2400SQ.CM 130MIC MINI SIGMA EPDM SEALS	700101-002142
MOLDED WEAWEWIRE SCREEN S/ST316L 2400SQ.CM 200MIC MINI SIGMA EPDM SEALS	700101-002190
MOLDED WEAWEWIRE SCREEN S/ST316L 2400SQ.CM 300MIC MINI SIGMA EPDM SEALS	700101-002191
MOLDED WEAWEWIRE SCREEN S/ST316L 2400SQ.CM 500MIC MINI SIGMA EPDM SEALS	700101-002192

## UPGRADE KITS

DESCRIPTION	SAP. CAT.NO.
UPGRADE KIT TO SIGMA PRO FOR SIGMA 4"S-6"-8"	700190-005486
UPGRADE KIT TO SIGMA PRO FOR SIGMA 4"	700190-005526

Mini Sigma & Sigma Pro Spare Parts ordering and tech support online.  
[www.irrigationglobal.com](http://www.irrigationglobal.com)