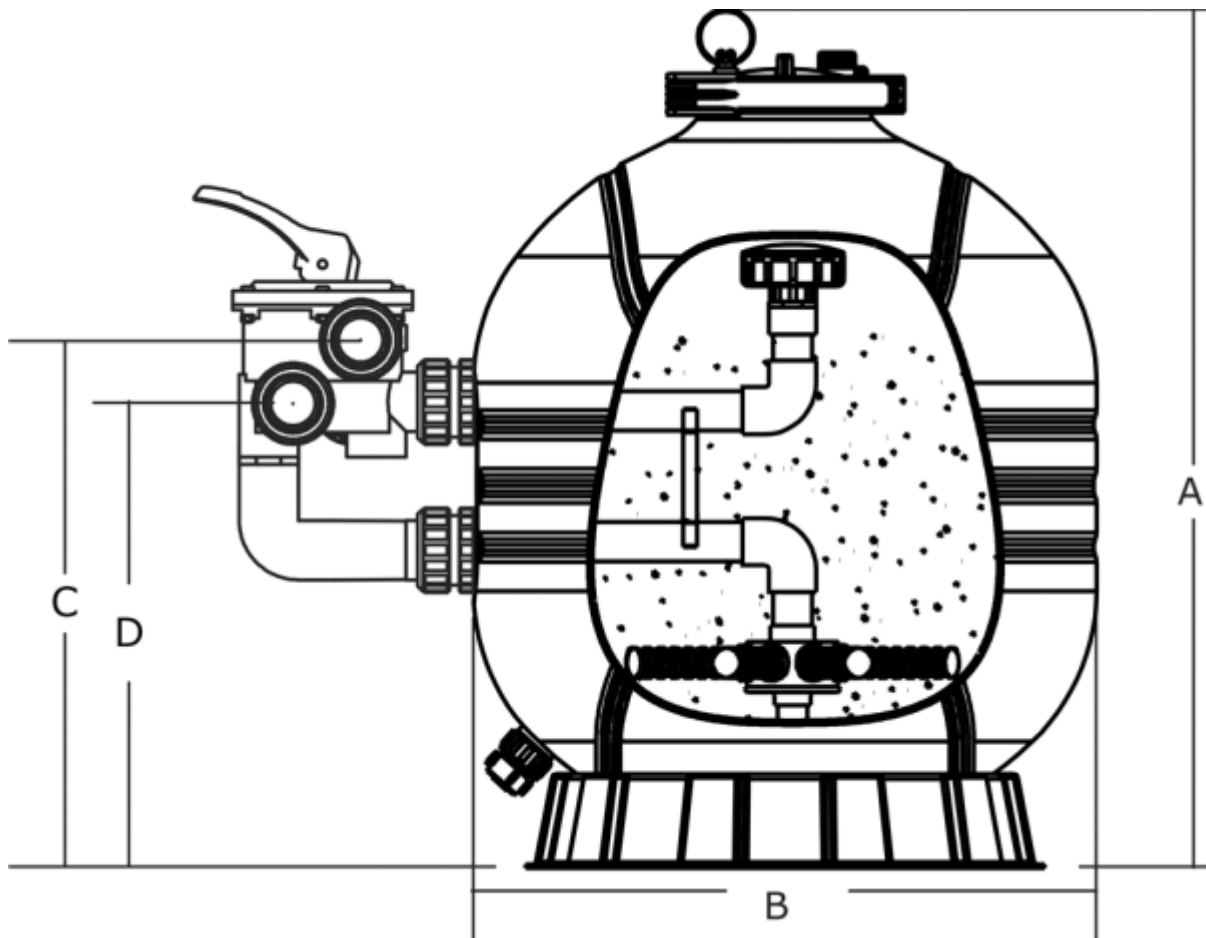


Flotide sand filter HDPE, type MFS

Material:	HDPE
Material valve:	ABS + stainless steel
Connection:	metric/imperial glue socket
Working pressure:	2,8 bar
Maximal temperature:	50°C
Colour:	white
Suggested size of media:	0,5 – 0,8 mm

Dimensions (all dimensions in mm):



Item number	A	B	C	D
0182223	670	425	417,5	354,5
0182224	760	500	459,3	396,3
0182225	825	600	492,5	429,5
0182226	946	675	613,5	527,5
0182227	968	775	639	553
0182228	1086	875	695	609