

340

Full Port Brass Ball Valve



Via Circonvallazione, 10
13018 Valduggia (VC), Italy
Tel: +39 0163 47891
Fax: +39 0163 47895
www.vironline.com



Full port brass ball valve
Threaded F/F (ISO 228/1)
Design according to MSS-SP110
Air testing according to EN12266-1
Blow-out proof stem, adjustable packing
With handle or butterfly (up to DN≤50)
ACS, VA, WRAS and TR CU 010 compliant

PN40 for DN≤50 (Max 40bar up to 95°C, max 25bar at 150°C)
PN25 for DN≥65 (Max 25bar up to 95°C, max 16bar at 150°C)
Free of CE marking for DN≤32 (cat. according to Art. 4.3 Dir. 2014/68/EU)

Working conditions

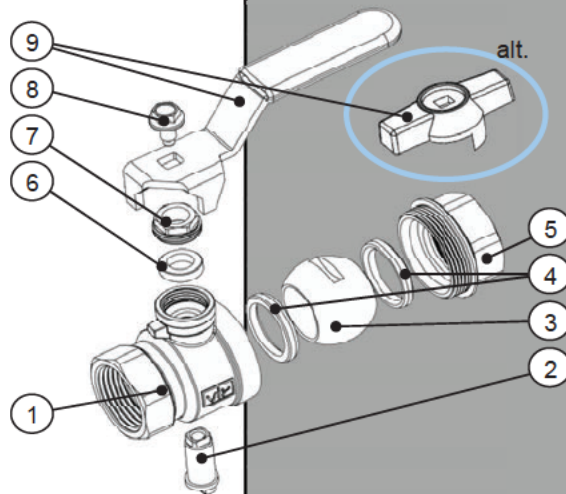
- Suitable for: water, 0°C to +150°C
- Suitable for: air, -10°C to +150°C
- Not suitable for: gases and liquids group 1 (Dir. 2014/68/EU)



PARTLIST

N.	Part	Material	Norm
1	Body	Chromium pl. brass	EN12165 CW617N
2	Stem	Brass	EN12164 CW617N
3	Ball	Chromium pl. brass	EN12165 CW617N
4	Seat	PTFE	-
5	Fixed end	Chromium pl. brass	EN12165 CW617N
6	Packing ring	PTFE	-
7	Packing nut	Brass	EN12164 CW617N
8	Screw	Geomet steel	EN10025 Fe42
9	Handle	Geomet steel ¹	EN10111 Fe P11
9 _{alt}	Butterfly	Aluminum	UNI7363-5076

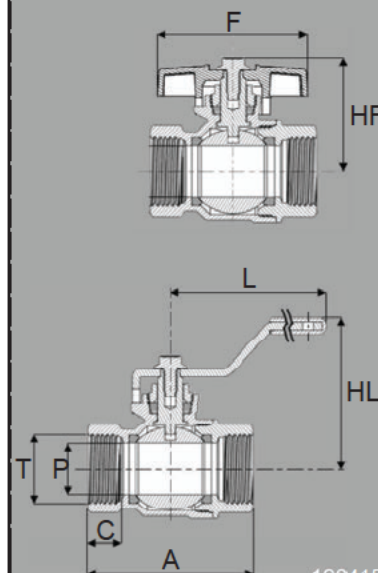
¹With black or red PVC cover



DIMENSIONS

DN	T	A	C	P	HL	L	HF	F	K _v	Weight
		[mm]	[mm]	[mm]	[mm]	[mm]	[mm]	[mm]	[m ³ /h]	[g]
008	¼"	39	9	10	41	81,0	32	44	3,2	110 / 90 ¹
010	⅜"	39	9	10	41	81,0	32	44	5,8	120 / 100 ¹
015	½"	49	12	15	53	91,5	39	55	15,7	220 / 195 ¹
020	¾"	58	12	20	57	91,5	43	55	30,8	305 / 280 ¹
025	1"	67	15	25	65	126,5	50	83	49,3	520 / 470 ¹
032	1¼"	81	16	32	71	126,5	56	83	79,0	815 / 765 ¹
040	1½"	94	17	40	79	141,5	65	108	125,3	1210 / 1090 ¹
050	2"	110	19	50	87	141,5	73	108	224,2	1805 / 1685 ¹
065	2½"	141	25	65	117	201,5	-	-	330,2	3345
080	3"	163	27	80	132	281,0	-	-	419,4	5338
100	4"	188	31	100	144	281,0	-	-	838,8	8600

¹Weight for lever handle version / weight for butterfly handle version



190415