

# 228

Polypropylene Copolymer Ball Valve



Via Circonvallazione, 10  
13018 Valduggia (VC), Italy  
Tel: +39 0163 47891  
Fax: +39 0163 47895  
www.vironline.com



Polypropylene copolymer ball valve  
Threaded F/F (ISO 228/1)  
Ice-damaging resistant one piece body  
Blow-out proof stem  
With handle or butterfly  
TR CU 010 compliant

PN16  
Free of CE marking (cat. according to Art. 4.3 Dir. 2014/68/EU)

Working conditions

- Suitable for: water, -20°C to +75°C
- Not suitable for: gases group 1 & 2, liquids group 1 (Dir. 2014/68/EU)

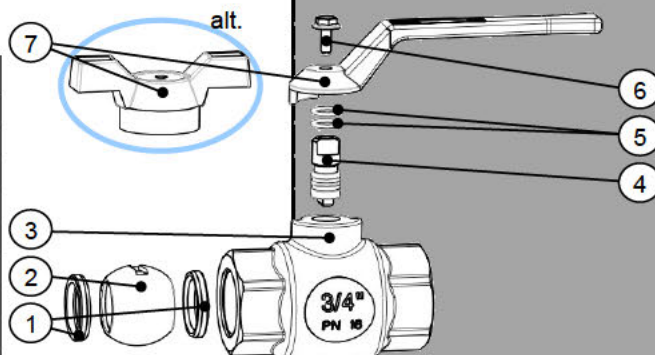


## PARTLIST

N.	Part	Material	Norm
1	Seat	PTFE	-
2	Ball	Chromium pl. brass	EN12164 CW617N
3	Body	Polyprop. copolymer	-
4	Stem	Brass	EN12164 CW617N
5	O-ring	NBR	-
6	Screw	Geomet steel	EN10025 Fe42
7	Handle	PA6 Polyamide <sup>1</sup>	-
7 <sub>alt.</sub>	Butterfly	PA6 Polyamide <sup>2</sup>	-

<sup>1</sup>50% glass fiber reinforced

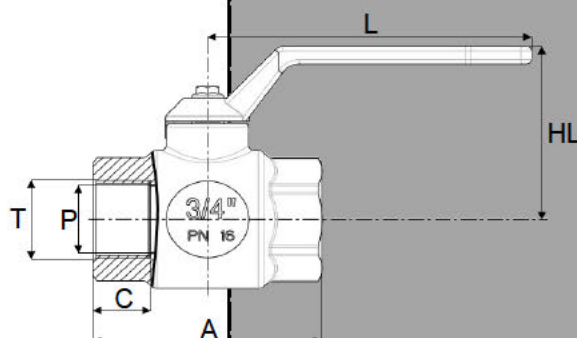
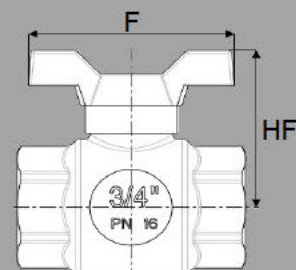
<sup>2</sup>30% glass fiber reinforced



## DIMENSIONS

DN	T	A	C	P	HL	L	HF	F	K <sub>v</sub>	Weight <sup>1</sup>
		[mm]	[mm]	[mm]	[mm]	[mm]	[mm]	[mm]	[m <sup>3</sup> /h]	[g]
015	½"	61	15,5	15	55	102	50	65	9,5	86 / 85
020	¾"	72	17,5	20	59	102	54	65	19,0	128 / 127
025	1"	84	20,5	25	73	120	70	82	38,5	228 / 230

<sup>1</sup>Weight for lever handle version / weight for butterfly handle version



201014