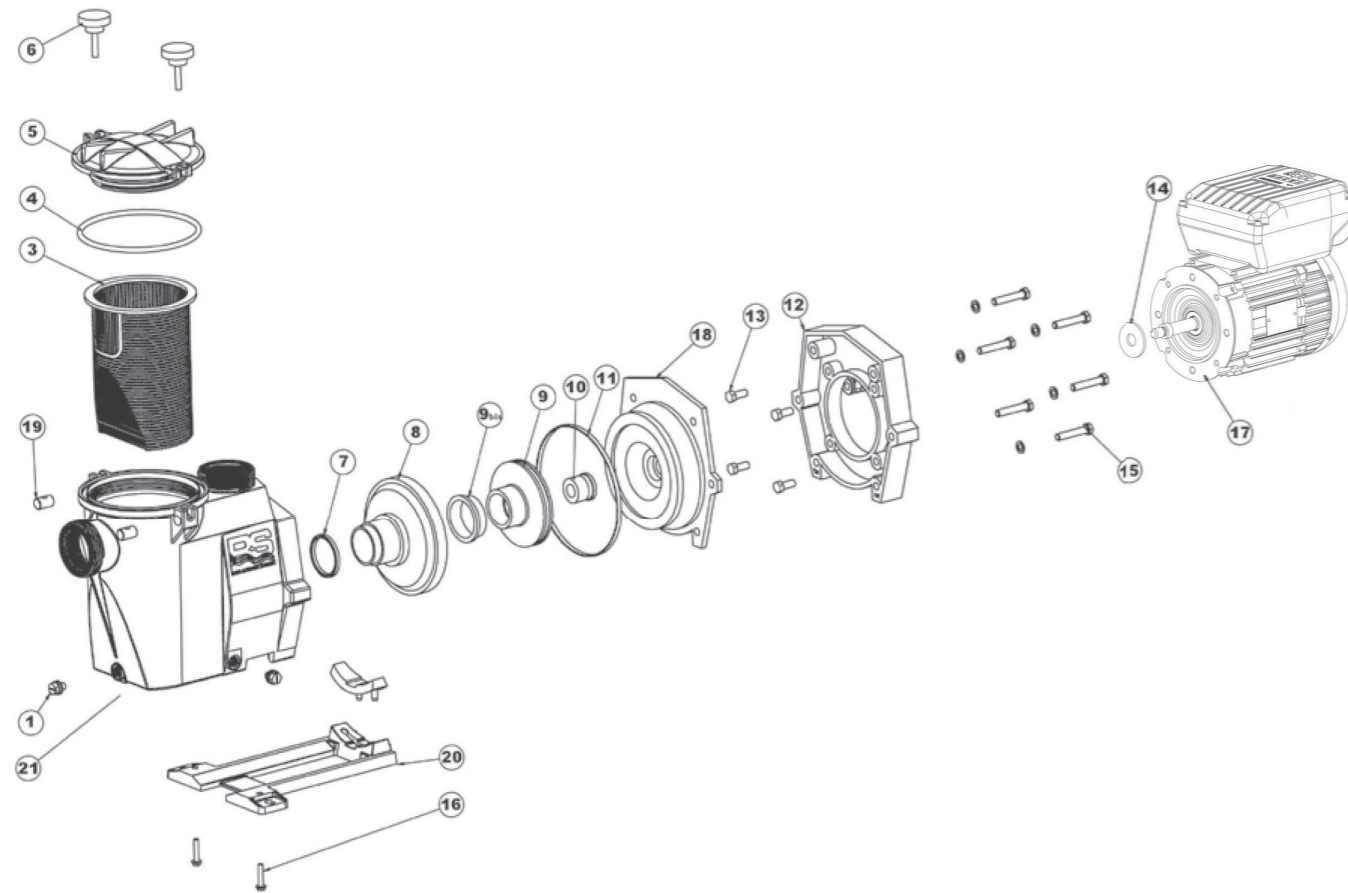


HAYWARD POOL PUMP, TYPE RS II (VSTD)



HAYWARD POOL PUMP, TYPE RS II (VSTD)

NR.	DESCRIPTION	PART NR. INCLUDES	PART NR.
1	Drainplug	2	7016764
3	Basket with handle	1	7016765
4	O-ring for lid	1	7016766
5	Transparent lid	1	7016767
6	lock screw	2	
7	O-ring for diffuser	1	
8	Diffuser	1	
9a	Impeller type RS II 30081	1	7017139
9b	Impeller type RS II 30111	1	7017140
9c	Impeller type RS II 30161	1	7017141
9d	Impeller type RS II 30201/03	1	7017142
9e	Impeller type RS II 30303	1	7017143
9f	Impeller type RS II VSTD	1	7016768
9 bis	Ring for impeller	1	
10	Mechanical seal	1	7016769
11	O-ring for flange	1	
12	Pump flange	1	
13	Bolt	4	
14	Slinger DE43 DI14,5 EP2,7	1	7019480
15	Bolt	6	
17	Motor VSTD	1	
	Variable speed drive	1	7016770
19	Lock screw + swivel nut	2	7016771
	Cooling fan	1	7016772
	Cooling Fan 1.5 - 2.2 kW	1	7017146
	Fan cover FS 71	1	7017144
	Fan cover FS 80	1	7017145
	Fan cover type VS	1	7016773
	Union connector Kit 63mm (long) for RS II series	1	7027712
	Union connector Kit 63mm (short) for RS II series	1	7027713