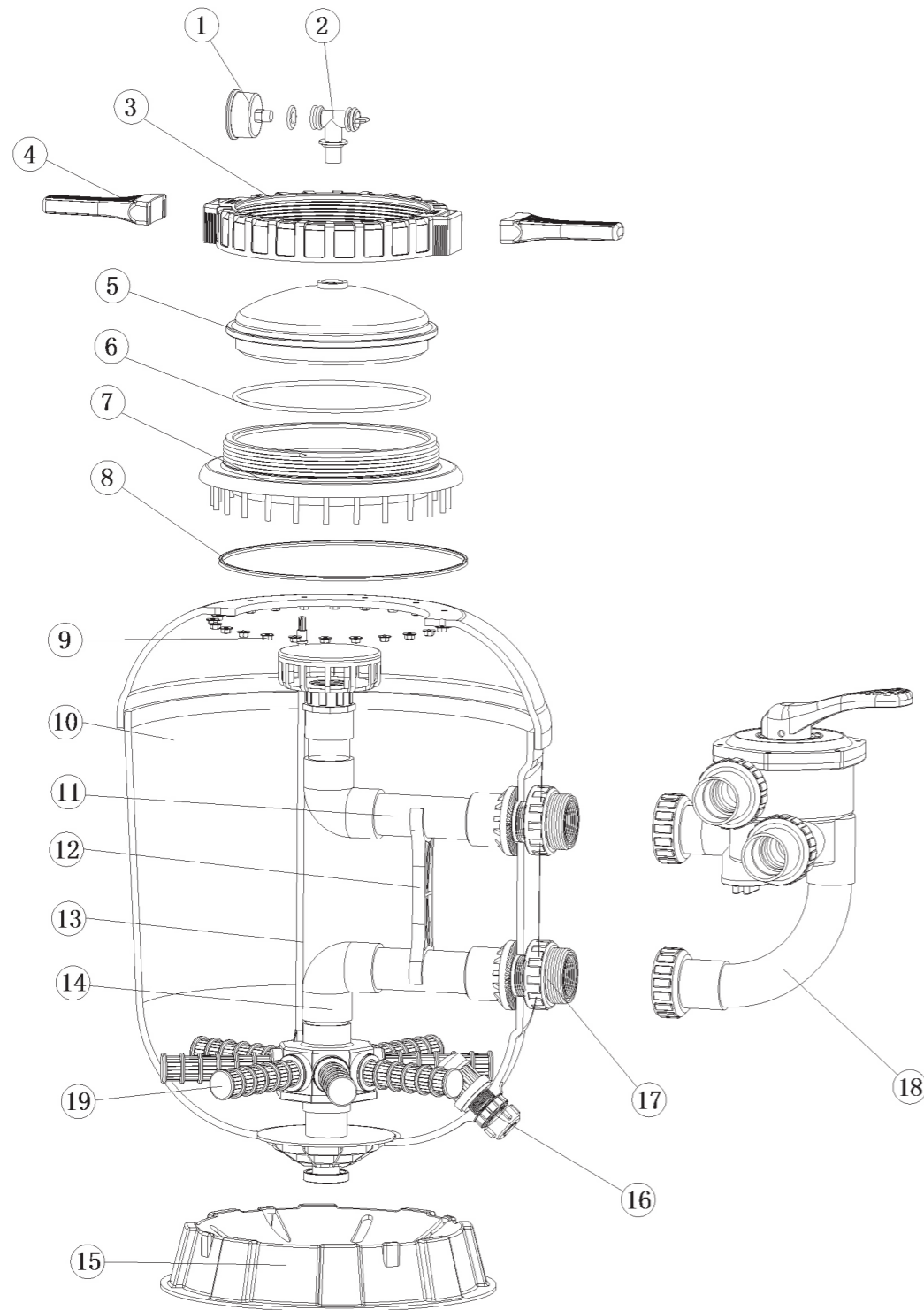


FLOTIDE PREMIUM POOL FILTER SMG



FLOTIDE PREMIUM POOL FILTER SMG

NR.	DESCRIPTION	FOR FILTER	PART NR. INCLUDES	PART NR.
1	Oil pressure gauge		1	7009341
2	Exhaust switch		1	7009345
3	Ringlock nut		1	7009316
4	Spinner for ringlock		2	7009292
5	Cover ring lock type lip ring		1	7009312
6	Lip ring for lock cover		1	7009331
7	SMG Filter neck with screws		1	
8	Corrosion proof O-ring		1	
9	Anti-Slip washer nut		1	
10a	Fiter tank with fasteners	SMG500	1	
10b	Fiter tank with fasteners	SMG650	1	
10c	Fiter tank with fasteners	SMG750	1	
10d	Fiter tank with fasteners	SMG900	1	
11a	Top part of inner tank system	SMG500	1	
11b + 14b	Filter tank inner system	SMG 500, SMG650	1	7036451
11c	Top part of inner tank system	SMG750	1	
11d	Top part of inner tank system	SMG900	1	
12a	1.5" Tank system support	SMG500, SMG650	1	7036452
12b	2" Tank system support	SMG750, SMG900	1	
13a	Air vent pipe	SMG500	1	
13b	Air vent pipe	SMG650	1	
13c	Air vent pipe	SMG750	1	
13d	Air vent pipe	SMG900	1	
14a	Bottom part of the inner tank system	SMG500	1	
14c	Bottom part of the inner tank system	SMG750	1	
14d	Bottom part of the inner tank system	SMG900	1	
15a	Base	SMG500	1	
15b	Base	SMG650, SMG750	1	
15c	Base	SMG900	1	
16	Water drain set		1	7009343
17a	1.5" Connector sets	SMG500, SMG650	1	
17b	2" Connector sets	SMG750, SMG900	1	
18a	Multiport valve	SMG500, SMG650	1	7012634
18b	Multiport valve	SMG750, SMG900	1	7012635
19a	Lateral 115mm	SMG500	8	7009308
19b	Lateral 126mm	SMG650	8	7009309
19c	Lateral 185mm	SMG750	8	7009310
19d	Lateral 233mm	SMG900	8	7009311