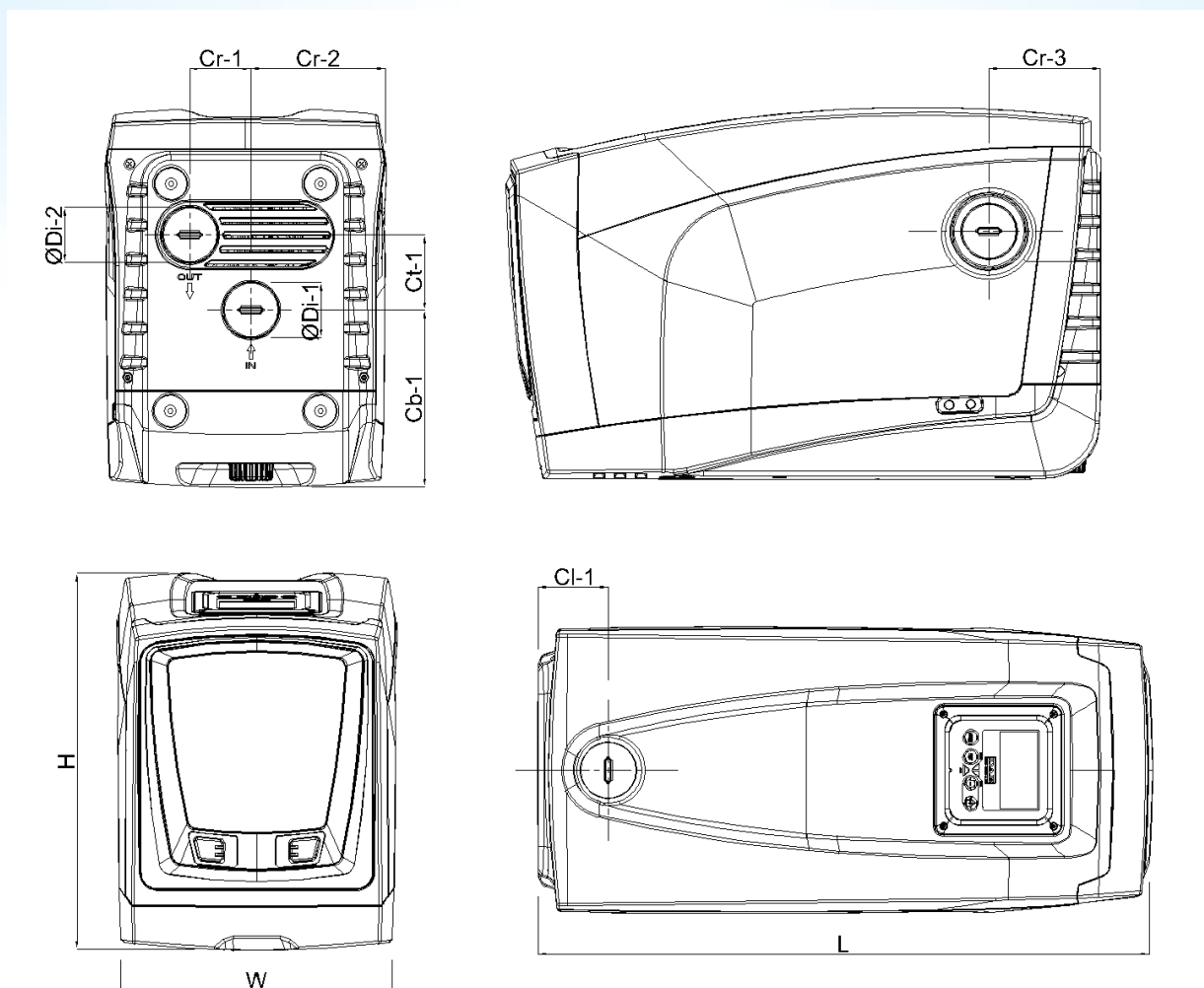


## Pump Diagram



| PUMP MODEL | L   | W   | H   | Cl-1 | Cb-1  | Ct-1 | Cr-1 | Cr-2  | Cr-3 | ØDi-1 | ØDi-2 |
|------------|-----|-----|-----|------|-------|------|------|-------|------|-------|-------|
| 7030936    | 564 | 263 | 362 | 65   | 165.2 | 70   | 57   | 126.2 | 106  | 1"    | 1"    |

All dimensions are in mm.