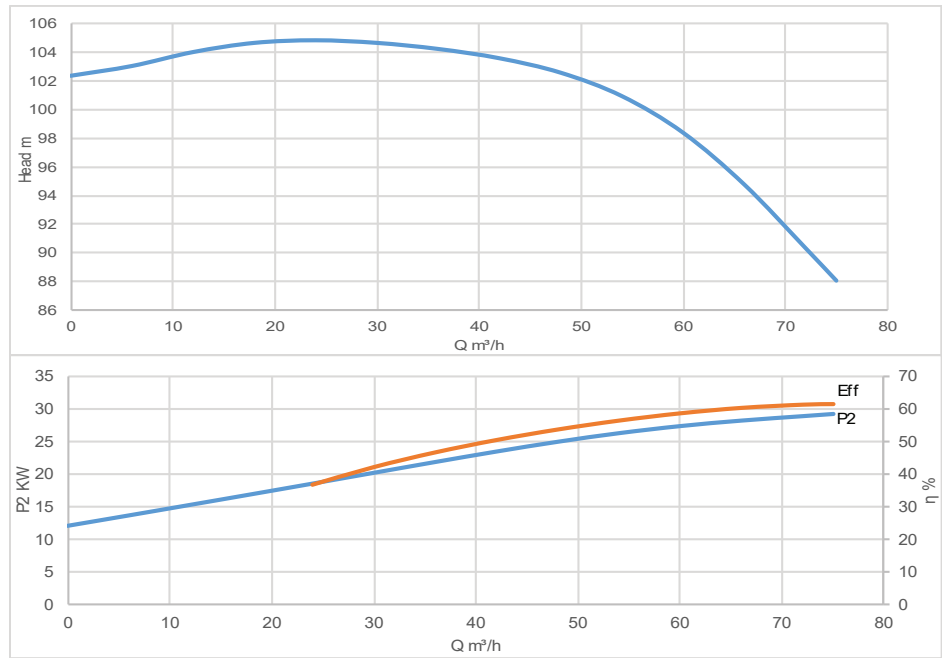
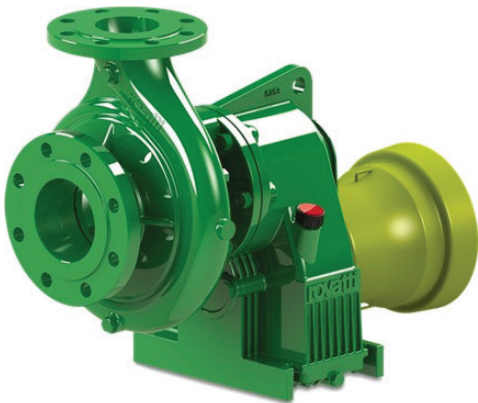


Rovatti Centrifugal pump, type T



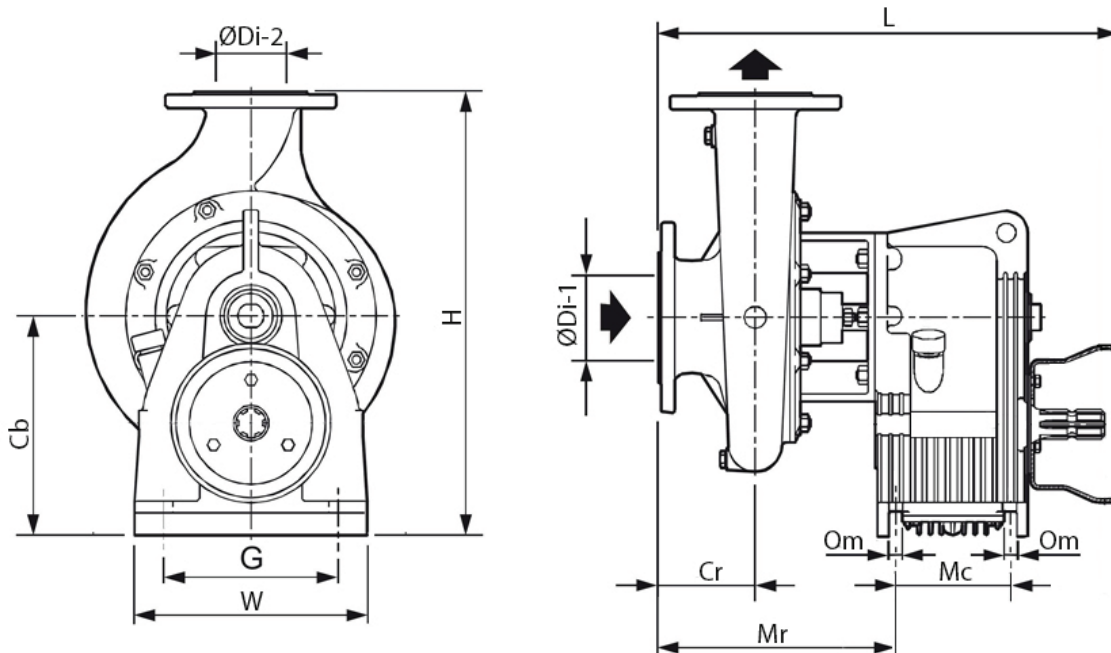
Performance Curve

Pump data

| Pump Model | P2 | | Connections | | Full Load Current (A) | Rated Voltage (V) |
|------------|----|----|-------------|------|-----------------------|-------------------|
| | HP | kW | Di-1 | Di-2 | | |
| 7024356 | | | 65 | 50 | | |

| | | | | | | | | | | | | | |
|----------|-----|-----|-----|-----|-----|-----|-----|-----|-----|-----|----|----|----|
| Q (m³/h) | 0 | 6 | 12 | 18 | 24 | 30 | 36 | 42 | 48 | 54 | 60 | 66 | 75 |
| H (m) | 102 | 103 | 104 | 104 | 104 | 104 | 104 | 103 | 102 | 100 | 98 | 94 | 88 |

Pump Diagram



| Model | L | W | H | Cb | Mr | Mc | Cr | Om | G | Di-1 | Di-2 |
|---------|-----|-----|-----|-----|-----|-----|-----|----|-----|------|------|
| 7024356 | 474 | 242 | 422 | 222 | 253 | 120 | 100 | 14 | 210 | 65 | 50 |