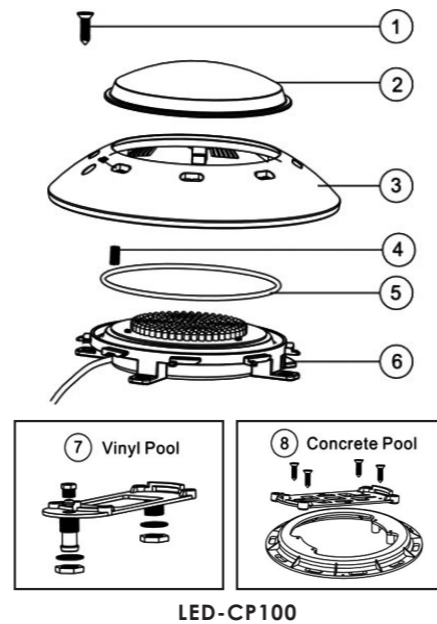


Maintenance of the Lights

- Do not leave the lights "on" above water for longer than 1 minute.
- Do not leave the lights directly under sunlight. Fill the pool with fresh water as soon as possible after the lights are installed.
- Before switching on the lights, check whether the lights are fully submerged underwater and the circuit boxes are running properly.
- This unit does not need any kind of maintenance. If it is not working properly, please contact EMAUX authorized dealer where you purchase the unit from.
- Warranty will be voided if the Emaux Underwater Light was dismantled by unauthorized personnel.

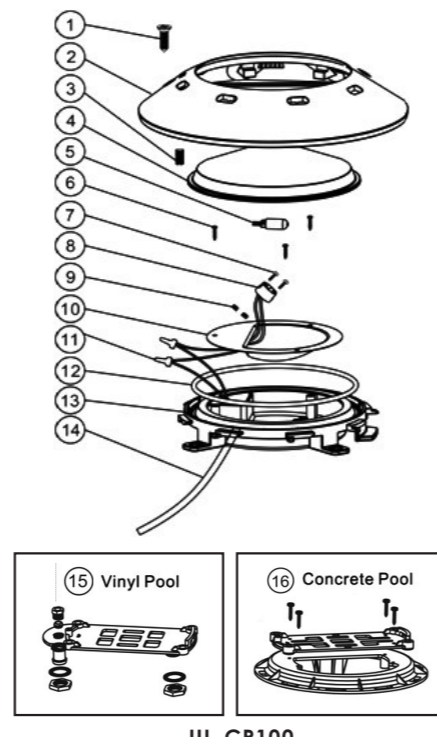
REPLACEMENT PARTS

Key No.	Part No.	Description	Qty
1	03011321	M5X20 screws (316#)	1
2	01040212	Lights Lens	1
3	01012031	Face plate	1
4	01110027	Compression screw	1
5	02010237	O-ring	1
6	89045601	Bulb plate(White Colour),12V/8W 198LEDs	1
6	89045602	Bulb Plate(RGB) 12V/6W 102LEDs	1
6	89045603	Bulb Plate(RGB) 12V/8W 198LEDs	1
6	89045604	Bulb Plate(White Colour), 12V/6W 102LEDs	1
7	89044501	Lights Vinyl Pool Fitting for P100/ CP100	1
8	89040203	Lights Concrete Pool Fitting for P100/ CP100	1



LED-CP100

Key No.	Part No.	Description	Qty
1	03011321	M5*20 Screw (316#)	1
2	01050102	Face plate	1
3	01110027	Compression screw	1
4	01040212	Lights Lens	1
5	04011073	Bulb 12V/75W for ULH/ UL-NS	1
6	03011132	M4*8 Screw	3
7	03011150	Screw	2
8	04011031	Lamp Socket	1
9	03013039	But	2
10	03017118	Reflector Plate	1
11	04014016	Closed-End Wire Connector	2
12	02021084	O-Ring for UL-CP100	1
13	01231008	UL-CP100 Light Body Set	1
14	04013004	2.5M Cable	1
15	89044501	Vinyl pool Fitting for P100	1
16	89040203	Fitting for Concrete Pool	1



UL-CP100

UL-CP100 LED-CP100

ROTARY TYPE UNDERWATER LIGHT OPERATING MANUAL

Keep this manual for future reference



SAFETY WARNINGS

- Only qualified electrician is allowed to carry out the installation of this product.
- Avoid direct contact with electrical power.
- Respect all regulations in effect for preventing accidents.
- All units are required to be disconnected from the main electricity before any operation of maintenance.
- Never handle with wet hands and feet.
- This unit is design for use only when fully submerged in fresh water, connecting with a safety transformer.
- Never operate this Underwater Light for more than 1 minute unless it is totally submerged in water.
- Be sure power is off before installing or removing light bulb. Allow light bulb to cool before replacing.
- This product should be installed according to your local electrical installation ordinances and regulations.
- Maximum Depth for Light installation at 1 meter.
- Maximum Water Temperature Range for light operation 0 - 30°C.

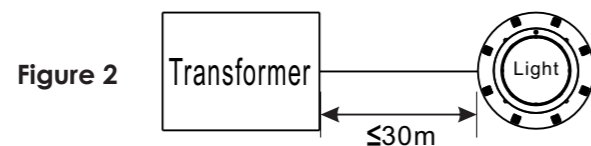
SPECIFICATION

A. Electrical Specification: 1) Voltage: AC12V 2) Frequency: 50Hz 3) Power: 75W(UL-CP100), 6W/8W(LED-CP100)

INSTALLATION NOTES

- 1) Each cable is 2.5m long. You should follow the procedures closely when installing the light.
- 2) It is recommended to install a light every 20m², the approximate exposure area of each unit.
- 3) The lights should be installed in the direction that they will not shine directly into the house.
- 4) For training or competition pools, the lights must be installed on the sides in order to prevent swimmers from seeing any glare.
- 5) Nothing should be placed on the poolside directly above the lights for ease of future maintenance.
- 6) If the wires are connected inside the lights, you must seal the connections with leak-proof tapes or products with the same function.

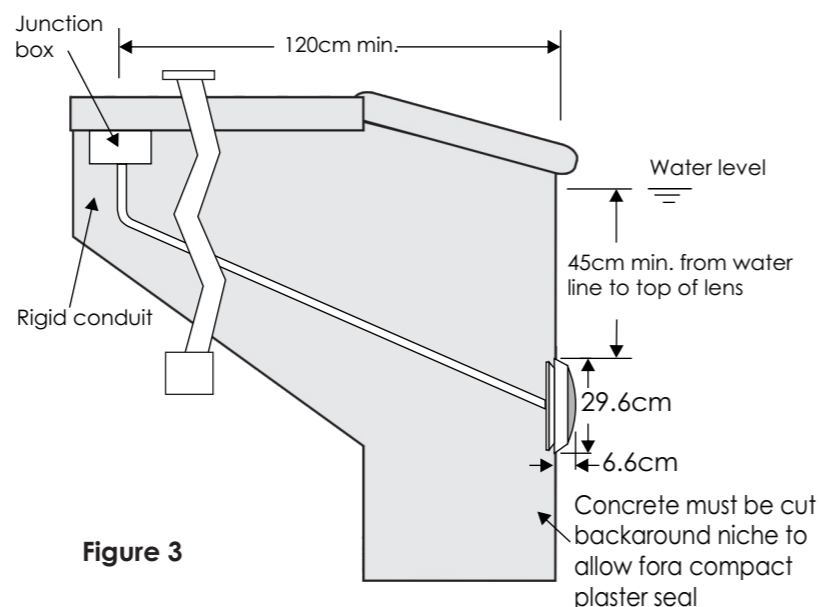
7) The cables connecting the lights and the transformers must be at least 6mm² and the distance between them must not exceed 30m (Figure 2); otherwise the lights will not function properly.



INSATALLATION OF THE UNDERWATER LIGHT

A) Preparing to Install

- 1) Before installation, a circuit system diagram must be designed by a certified engineer.
- 2) The circuit system must comply with local laws and regulations and must be carried out by qualified electricians.
- 3) Make sure the voltage is 12V and the terminal box is at least 120cm from the poolside (Figure 3).
- 4) Upon installation, top of the light must be at least 45cm from water surface (Figure 3).



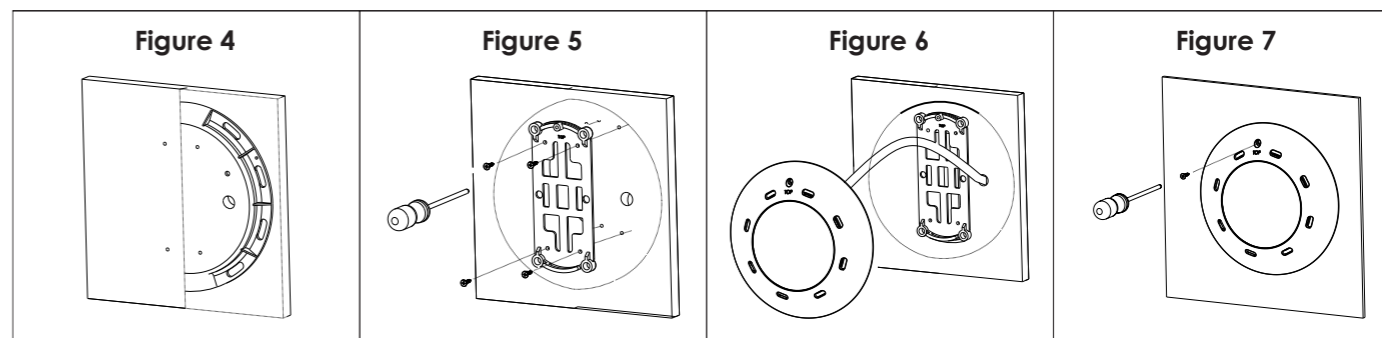
WARNING

- ⚠ Never operate this Underwater Light for more than 10 seconds unless it is totally submerged in water. Without total submersion, the light assembly will get extremely hot, which may result in serious injury to pool users, installers, or bystanders, or in damage to property.
- ⚠ Be sure power is off before installing or removing lamp. Allow lamp to cool before relamping. This light fixture uses a Halogen Quartz lamp. Do Not touch lamp with bare hand, this may severely reduce its life. Use the plastic furnished with the replacement lamp to eliminate finger prints from getting on lamp.

B) Pool Installation

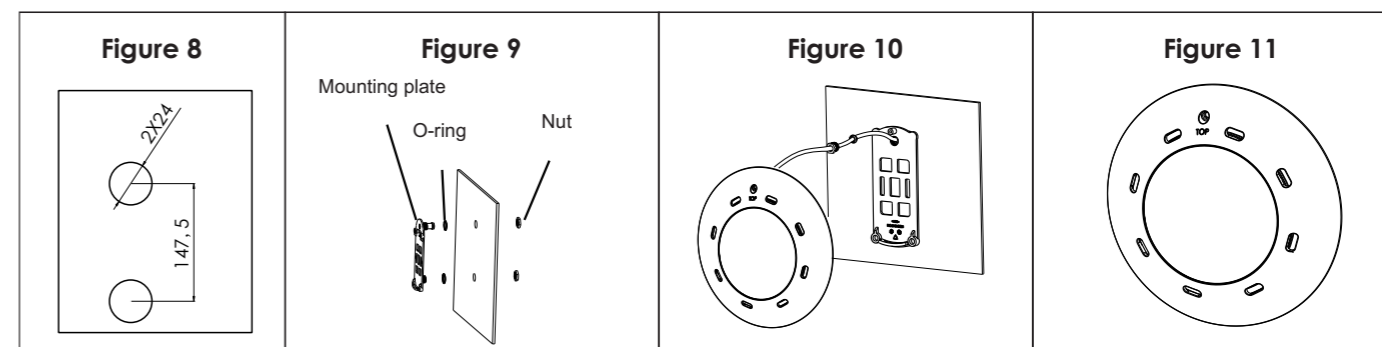
- 1) Embed the Wall Mount into the concrete wall, making sure that it is parallel to the side of the pool (Figure 4).
- 2) Place the Mounting Plate on the concrete wall and tighten it with 4 screws. The conduit must be next to the Mounting Plate (Figure 5).
- 3) Note that the light must only be installed on a flat or concave surface.
- 4) Wrap extra cables behind the light to make sure it could be taken to the pool surface for future maintenance (Figure 6).
- 5) Hang the light onto the Mounting Plate and tighten the screws (Figure 7).

6) The wire connections inside the terminal box must be sealed by leak-proof tapes to prevent water from leaking into the terminal box through the cables.



C) Fiberglass Pools / Vinyl Pools Installation

- 1) Refer to section "Preparing to Install".
- 2) Make 2 holes on the pool wall (Figure 8).
- 3) Place the o-rings between the Mounting Plate and the pool wall and tighten it with the Nut on the other side of the pool wall (Figure 9).
- 4) Put the cable sequentially through the sealing Nut, the sealing O-ring and the cable hole on the mounting plate; then tighten the Nut (Figure 10).
- 5) Wrap extra cables behind the light to make sure it could be taken to the pool surface for future maintenance. Then, hang the light onto the Mounting Plate and tighten the screws (Figure 11).



D) Assembly for CP100

- 1) Clean the O-ring installation position and put the O-ring. (Figure 12)
- 2) After install the O-ring. Put the transparency lid and then put the cover. (Figure 13)
- 3) While install the cover with the base, please to note that the sign of "TOP" from the base should meet with the sign of "TOP for the cover. (Figure 14)
- 4) Rotate to the station position and then to use screw driver that to tighten. (Figure 15)
- 5) For Unassembled, please to reverse the sequence.

