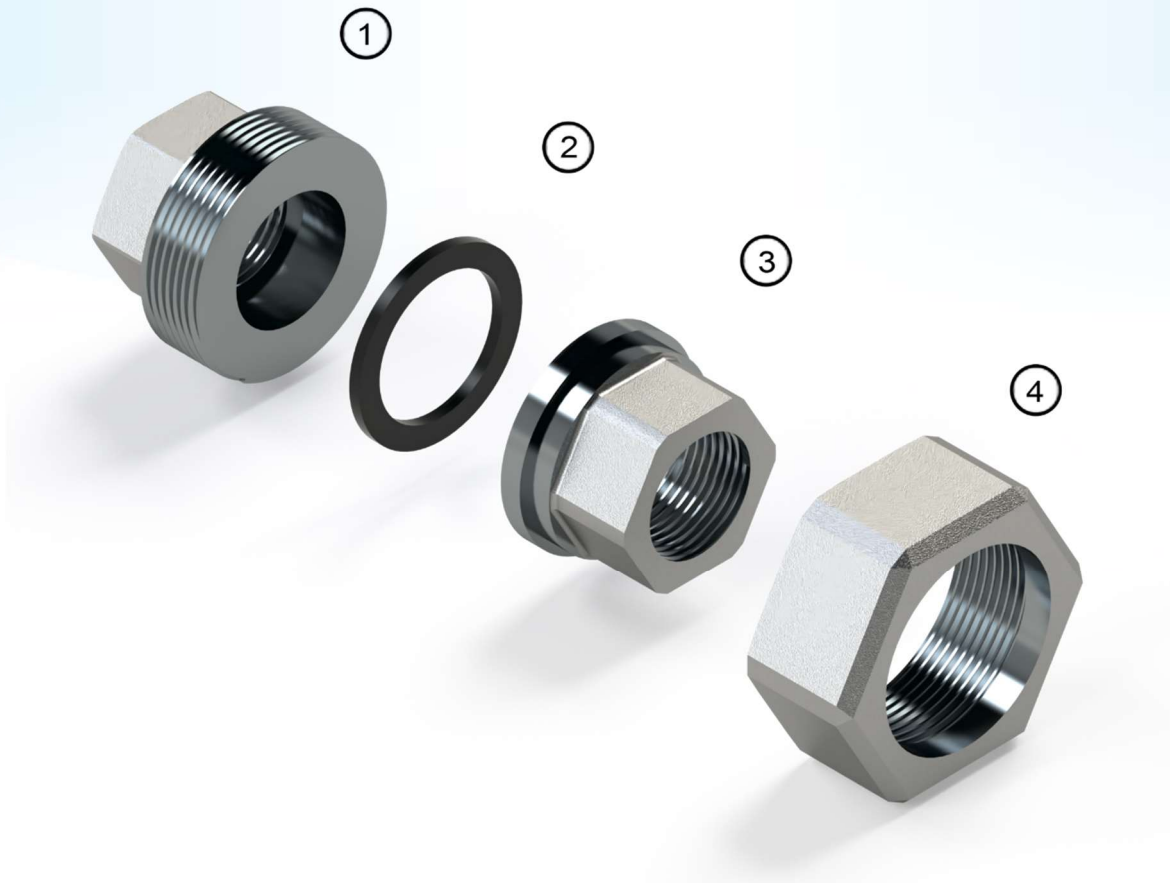


Item no	ØDi-1	ØDi-2	Lb	F-1	F-2	K-1	K-2	Kn
1033004	1/2"	1/2"	48 mm	12 mm	12 mm	27 mm	27 mm	44 mm



SI No	PART
1	Threaded Adapter
2	O-Ring
3	Female Thread Insert
4	Union Nut