



# PRODUCT SPECIFICATION

FILTRATION

## ADIR MANUAL FILTERS - SCREEN & DISC 25MM & 40MM

Tavlit's professional line of plastic filters are designed for use in all irrigation systems and industry. Filters are available in sizes from 25mm to 80mm.

### FEATURES

- Body lock ring enables easy opening of the filter without the use of tools
- Stainless steel weave wire screen element (available)
- Filter disc element is secured to the body and includes a telescopic spine
- Large filtration area for handling large quantities of dirt
- Grooved plastic disc element on telescopic spine (available)

### APPLICATIONS

- Water filtration for Agriculture, Turf, domestic and industrial application
- Applicable for a wide range of flows

### SPECIFICATIONS

|                                     |                                    |
|-------------------------------------|------------------------------------|
| Recommended Flow Range:             | 134lpm - 250lpm                    |
| Max Recommended Operating Pressure: | 1000kPa                            |
| Filtration Range:                   | 80 - 120 mesh                      |
| Body Material:                      | Polypropylene & Glass Filled Nylon |
| End Connection Type:                | Male BSP Thread                    |
| Locking Ring:                       | Polyamide & Glass Filled Nylon     |
| O Ring:                             | EPDM                               |



25mm



40mm

| MODELS                               | CODE       |
|--------------------------------------|------------|
| <b>25mm Flow Range: Up to 134lpm</b> |            |
| <b>SCREEN FILTERS</b>                |            |
| 25mm 80 mesh screen filter           | NF1MS80    |
| 25mm 120 mesh screen filter          | NF1MS120   |
| <b>DISC FILTERS</b>                  |            |
| 25mm 80 mesh disc filter             | NF1MD80    |
| 25mm 120 mesh disc filter            | NF1MD120   |
| <b>40mm Flow Range: Up to 250lpm</b> |            |
| <b>SCREEN FILTERS</b>                |            |
| 40mm 80 mesh screen filter           | NF112MS80  |
| 40mm 120 mesh screen filter          | NF112MS120 |
| <b>DISC FILTERS</b>                  |            |
| 40mm 80 mesh disc filter             | NF112MD80  |
| 40mm 120 mesh disc filter            | NF112MD120 |

Note: For use in cold water irrigation systems only, for all other applications please consult HR Products  
Images are a guide only and may not represent final product

FILTRATION\_TAVLIT\_NF2540\_V1.05-20

www.hrproducts.com.au



|  |   |  |   |   |
|--|---|--|---|---|
| <b>PERTH</b><br>PH: 08 9484 6500<br>FAX: 08 9455 1680<br>hrsales@hrproducts.com.au | <b>SYDNEY</b><br>PH: 02 9616 1300<br>FAX: 02 9725 5283<br>infonsw@hrproducts.com.au | <b>MELBOURNE</b><br>PH: 03 8458 7400<br>FAX: 03 9457 7400<br>infovic@hrproducts.com.au | <b>BRISBANE</b><br>PH: 07 3080 6200<br>FAX: 07 3806 0533<br>infoqld@hrproducts.com.au | <b>ADELAIDE</b><br>PH: 08 8408 7200<br>FAX: 08 8341 0707<br>infosaa@hrproducts.com.au |
|--|---|--|---|---|



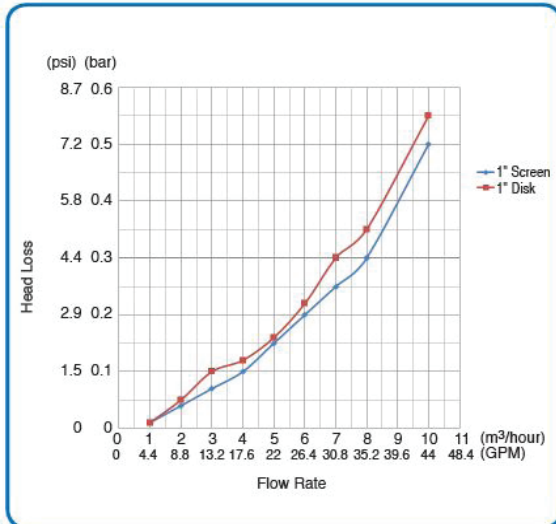
# PRODUCT SPECIFICATION

FILTRATION

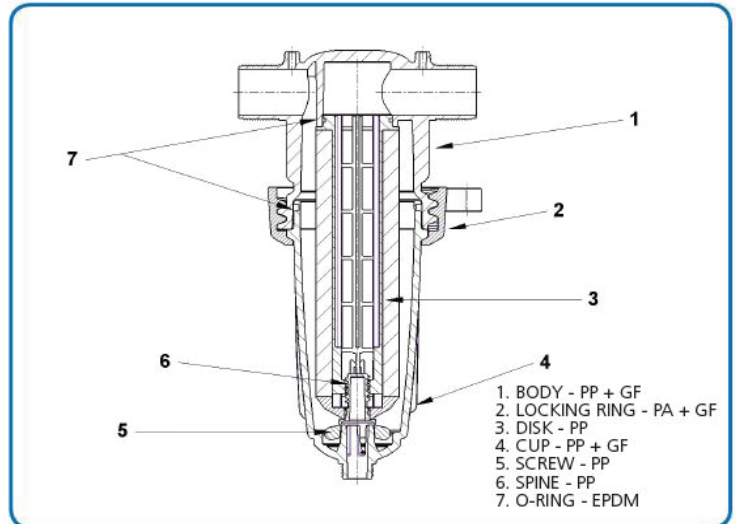
## ADIR MANUAL FILTERS - SCREEN & DISC 25MM & 40MM

25mm

1" ADIR FILTER HEAD LOSS

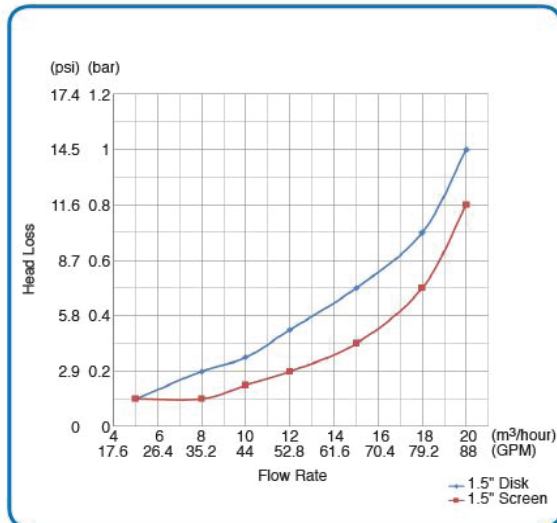


1", 1 1/2" DISK FILTER

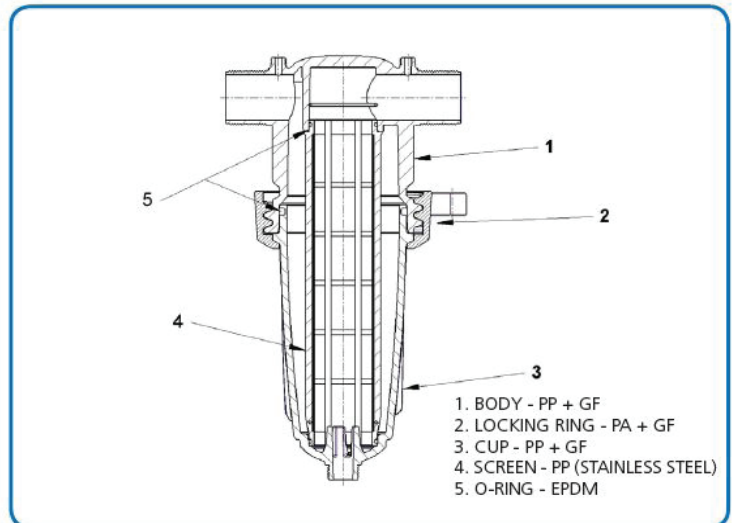


40mm

1.5" ADIR FILTER HEAD LOSS



1", 1 1/2" SCREEN FILTER



25mm & 40mm Tavlit Plastic Filters - Spare Parts Screen and Disc Elements

|          |  |
|----------|--|
| NFSI80M  | 80 mesh screen for 25mm & 40mm Tavlit filter bodies - Blue |
| NFSI120M | 120 mesh screen for 25mm & 40mm Tavlit filter bodies - Red |
| NEFD80M  | 80 mesh disc for 25mm & 40mm Tavlit filter bodies - Yellow |
| NEFD120M | 120 mesh disc for 25mm & 40mm Tavlit filter bodies - Red   |

FILTRATION\_TAVLIT\_NF2540\_V1.05-20

www.hrproducts.com.au



PERTH

PH: 08 9484 6500

FAX: 08 9455 1680

hrsales@hrproducts.com.au

SYDNEY

PH: 02 9616 1300

FAX: 02 9725 5283

infonsw@hrproducts.com.au

MELBOURNE

PH: 03 8458 7400

FAX: 03 9457 7400

infovic@hrproducts.com.au

BRISBANE

PH: 07 3080 6200

FAX: 07 3806 0533

infoql@hrproducts.com.au

ADELAIDE

PH: 08 8408 7200

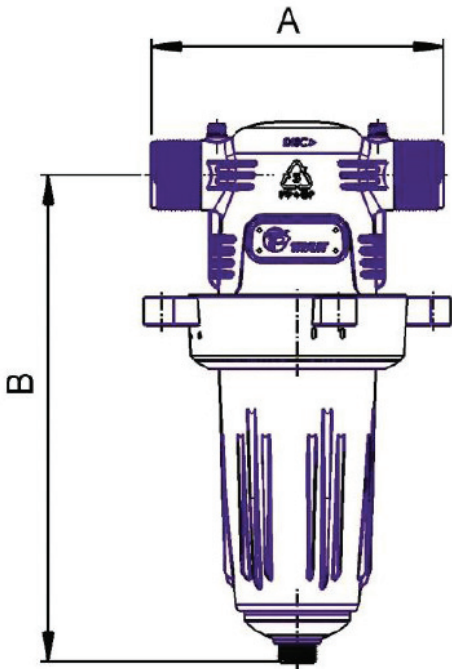
FAX: 08 8341 0707

infosaa@hrproducts.com.au



## ADIR MANUAL FILTERS - SCREEN & DISC 25MM & 40MM

### FILTER DIMENSIONS



25mm

**Filter Dimensions**  
A: 200mm  
B: 340mm  
Weight: 1.5kgs

40mm

**Filter Dimensions**  
A: 200mm  
B: 340mm  
Weight: 1.7kgs

### FILTER ELEMENTS

In order to respond to the various needs Tavlit offers the Adir line of filters with two types of filter elements:

- 1. Stainless Steel** - Stainless steel weave wire screen.
- 2. Grooved Plastic** - disc elements stacked together on a telescopic spine that can be released in order to perform proper flushing of the dirt accumulated on and between the discs.

A wide range of filtration degrees is offered for various applications.



### FILTER ELEMENTS

| Mesh/Micron            | 80/200 |  | 120/120 |  |
|------------------------|--------|--|---------|--|
| Stainless Steel Screen | Blue   |  | Red     |  |
| Disc                   | Yellow |  | Red     |  |

- Mesh count per Linear inch.
- Micron in approximate values may vary between element types

FILTRATION\_TAVLIT\_NF2540\_V1.05-20

[www.hrproducts.com.au](http://www.hrproducts.com.au)



**PERTH**

PH: 08 9484 6500

FAX: 08 9455 1680

[hrsales@hrproducts.com.au](mailto:hrsales@hrproducts.com.au)

**SYDNEY**

PH: 02 9616 1300

FAX: 02 9725 5283

[infonsw@hrproducts.com.au](mailto:infonsw@hrproducts.com.au)

**MELBOURNE**

PH: 03 8458 7400

FAX: 03 9457 7400

[infovic@hrproducts.com.au](mailto:infovic@hrproducts.com.au)

**BRISBANE**

PH: 07 3080 6200

FAX: 07 3806 0533

[infoqld@hrproducts.com.au](mailto:infoqld@hrproducts.com.au)

**ADELAIDE**

PH: 08 8408 7200

FAX: 08 8341 0707

[infosa@hrproducts.com.au](mailto:infosa@hrproducts.com.au)