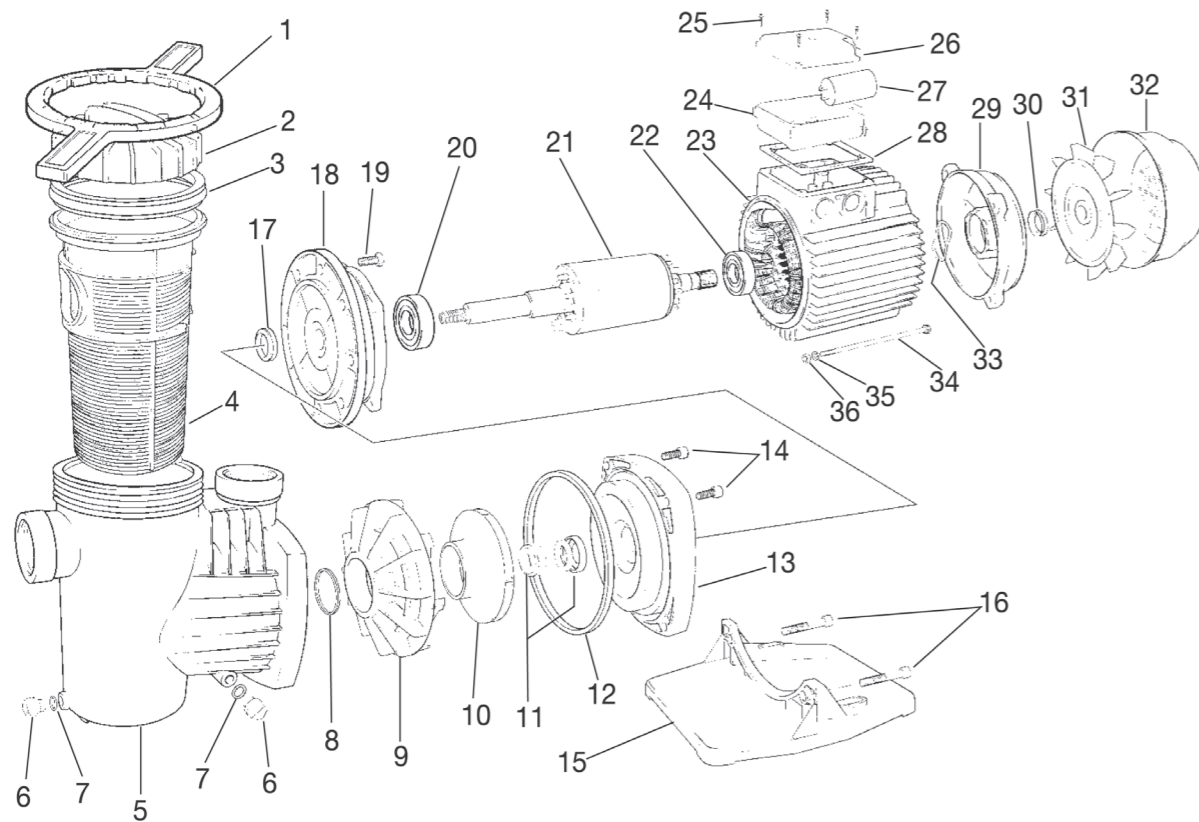


SPARE PARTS

Saci pool pump Winner



Saci pool pump Winner

NR.	DESCRIPTION	FOR PUMP	PART NR. INCLUDES	PART NR.
1	Key		1	
2	Pre-Filter cover		1	7012167
3	Pre-Filter joint		1	7012168
4	Pre-Filter basket		1	7012169
5	Pump body		1	7012170
6	Draining plug		1	7012171
7	Draining plug O-ring		1	7012172
8	Diffuser Joint		1	
9	Diffuser		1	
10a	Impeller	Winner 50	1	7012173
10b	Impeller	Winner 75	1	7012174
10c	Impeller	Winner 100	1	7012175
10d	Impeller	Winner 150	1	7012176
10e	Impeller	Winner 200	1	7012177
10f	Impeller	Winner 300	1	7012178
11	Mechanical seal		1	7012179
12	Pump Body Lid O-Ring		1	
13	Pump Body Lid		1	
14	Superior Pump Body Securing Screw		1	
15	Pump Base		1	
16	Pump Base Securing Screw		1	
17	Front IP-55 Protection Seal		1	
18	Front Motor Cover		1	
19	Motor Securing Screw		1	
20	Front Ball Bearing		1	
21	Shaft With Rotor		1	
22	Back Ball Bearing		1	
23	Motor Casing		1	
24	Terminal Box		1	
25	Terminal Box Screw		1	
26	Terminal Box Cover		1	
27a	Capacitor 20µF	Winner 50	1	7010426
27b	Capacitor 20µF	Winner 75	1	7010426
27c	Capacitor 25µF	Winner 100	1	7010427
27d	Capacitor 30µF	Winner 150	1	7010428
27e	Capacitor 40µF	Winner 200/300	1	7010431
28	Terminal Box Gasket		1	
29	Back Motor Cover		1	
30	Back IP-55 Protection Seal		1	
31a	Fan	Winner 50/75/100	1	7012180
31b	Fan	Winner 150/200/300	1	7012181
32a	Fan cover	Winner 50/75/100	1	7012182
32b	Fan cover	Winner 150/200/300	1	7012183
33	Thrust Washer		1	
34	Tie Rod		1	
35	Tie Rod Washer		1	
36	Tie Rod Nut		1	