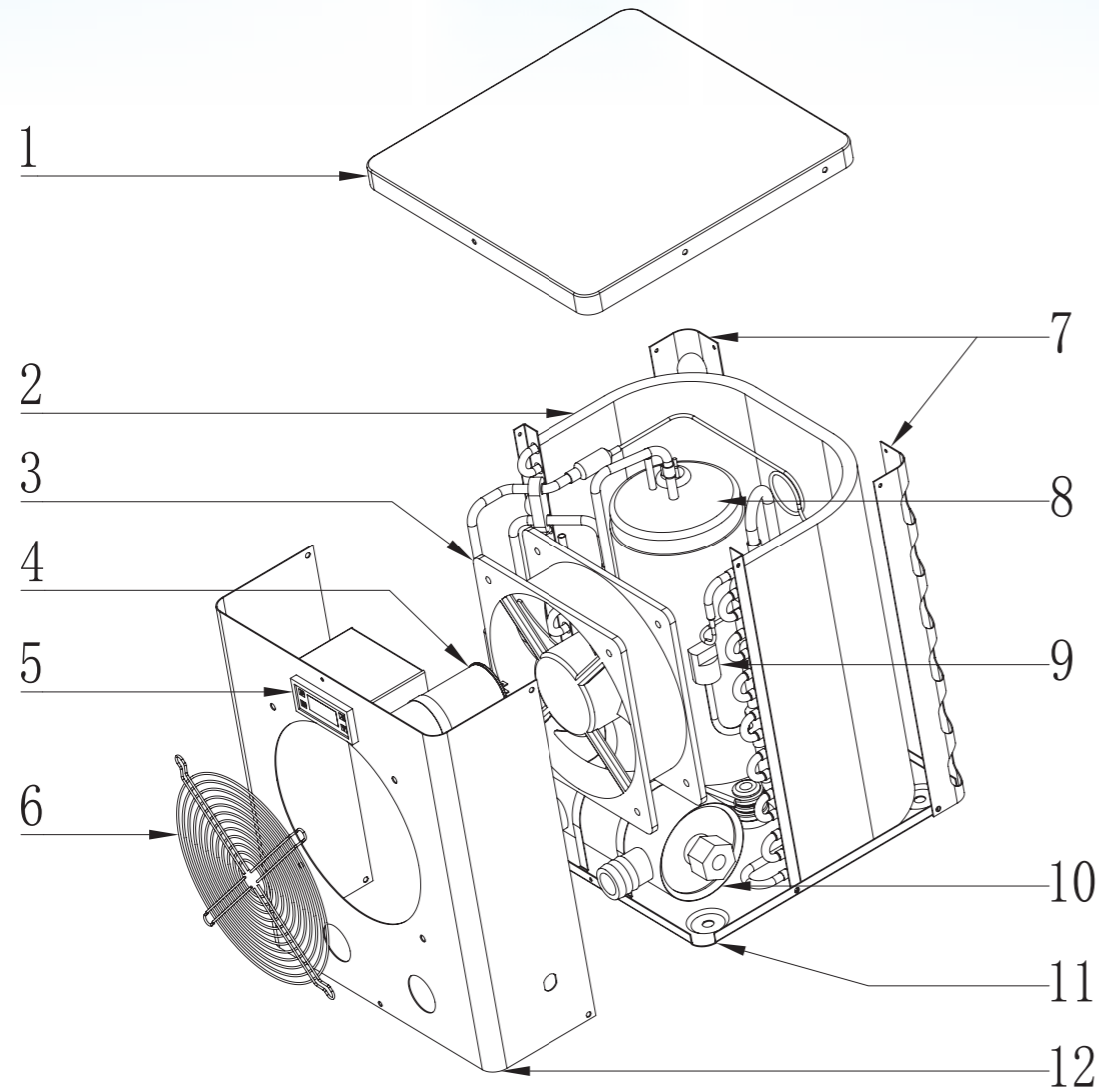


SPARE PARTS

7024509 - ECO Heat pump , type Plug & Play A3/32

eco



7024509 - ECO Heat pump , type Plug & Play A3/32

NR.	DESCRIPTION	PART NR.
1	Top cover	
2	Evaporator	
3	Fan motor assembly FP-20060EX-S1-B	7024885
4	Condensator 25 μ F type round wired	7010427
5	LED display / controller	7024894
6	Grill	
7	Back frame	
8	Compressor (KSM93V11UDZ)	
9	Low pressure switch 0.1 – 0.3Mpa	7024791
10	Titanium heat exchanger	
11	Chassis	
12	Front panel	
	Temperature sensor	7011007