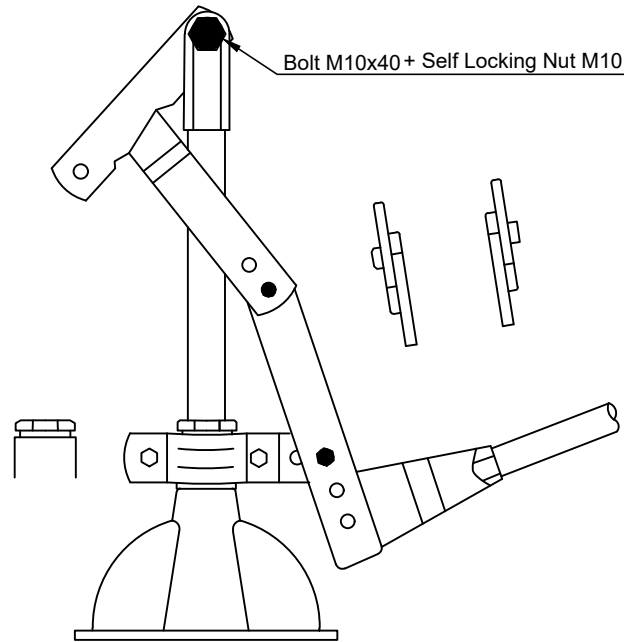
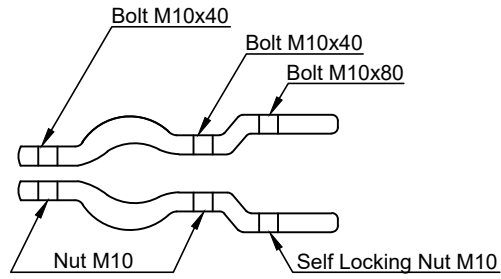
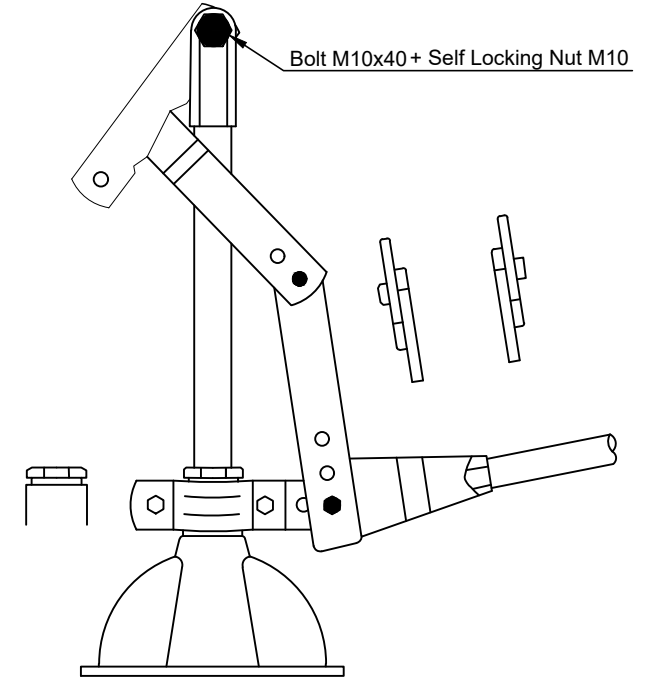
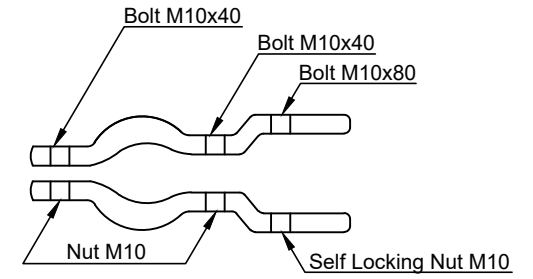


MZ 4"




MZ 5"



MZ 6"

DGN NO: P.358

A	FIYAZ	3.03.2020
REV.	DWN.	DATE
		
Dwg Name: Assembling Sheet For Opening Gate Valve Lever		
Project Name: 0200757-Handle kit steel 4"-5"-6" for MZ type special		REV
		D
Sht. No: 001	Scale: NTS	Sht size: