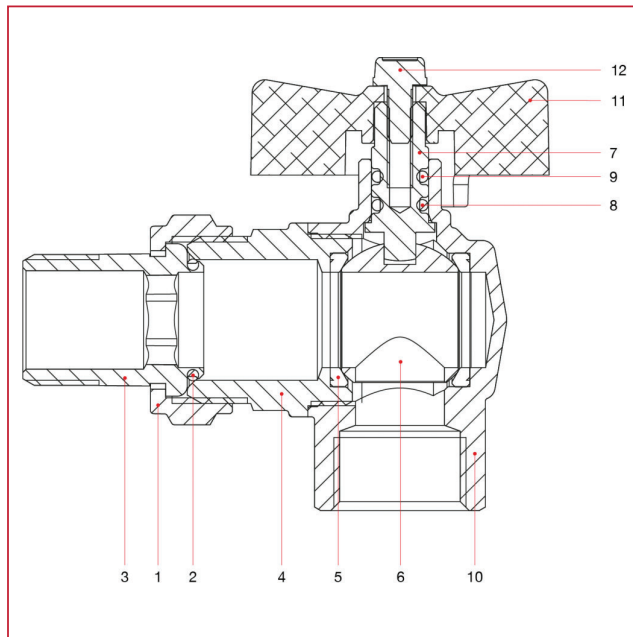




MATERIALS



POS.	DESCRIPTION	N.	MATERIAL
1	Nut	1	Nickel-plated brass CW617N
2	O-ring	1	NBR
3	Union	1	Nickel-plated brass CW617N
4	End adapter	1	Nickel-plated brass CW617N
5	Seat	2	P.T.F.E.
6	Ball	1	Chrome-plated brass CW617N
7	Stem	1	Brass CW614N
8	O-ring	1	NBR
9	O-ring	1	Viton®
10	Body	1	Nickel-plated brass CW617N
11	T handle	1	Varnished aluminium
12	Screw	1	Zinc-plated steel C4C