

AZUD Helix SYSTEM

AZUD HELIX SYSTEM are based on high efficiency, with low maintenance and precision manufacturing in a safe environment.

AZUD HELIX device. The centrifugal action optimizes the filtration performance while reducing backwash frequency and maintenance.

ADVANTAGES

- ✓ **AZUD HELIX device.**
Helix created centrifugal action optimizes the filtration performance and reduces backwash frequency and maintenance.
- ✓ **Disc Filtration with maximum safety.**
Its patented design and high quality materials used in manufacturing guarantee an extended life with high resistance. High filtering surface. Filtration degrees 100, 130, 200 and 400 micron.

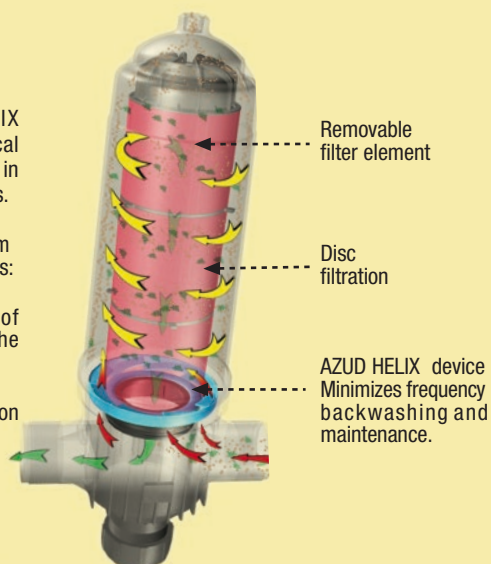


TECHNOLOGY

FILTRATION STAGE: The HELIX technology generates a centrifugal effect which pushes the particles in the dirty water away from the discs.

Keeping the larger particles away from the discs has two major advantages:

- It decreases the frequency of backwashing, thus minimizing the amount of water used.
- Allows the discs to concentrate on removal of the finer particles.



- ✓ **Modularity, versatility, compatibility.**
The system permits a wide range of flows and configurations using a minimal number of components.
- ✓ **Manufactured in plastic materials.**
- ✓ **Low Maintenance.**
Simple with no tools required. Maximum wear resistance of high quality moving parts.
- ✓ **The exclusive Butterfly System** used for locking the filter elements allows for easy decompression of the disc stack during backwash. It also allows easy handling and disc maintenance.
- ✓ **Water and energy saving.**

AZUD HELIX SYSTEM

| AZUD HELIX SYSTEM 130 micron | Max. flow | Filtering surface |
|---------------------------------|----------------------------------|---|
| | | Discs |
| 2N | 30 m ³ /h 132 gpm | 1198 cm ² 186 in ² |
| 2S | 30 m ³ /h 132 gpm | 1699 cm ² 263 in ² |
| 3C | 50 m ³ /h 220 gpm | 1198 cm ² 186 in ² |
| 3N | 50 m ³ /h 220 gpm | 1699 cm ² 263 in ² |
| 4N | 70 m ³ /h 308 gpm | 2396 cm ² 371 in ² |
| 4S | 100 m ³ /h 440 gpm | 3398 cm ² 527 in ² |
| 6N | 100 m ³ /h 440 gpm | 3398 cm ² 527 in ² |

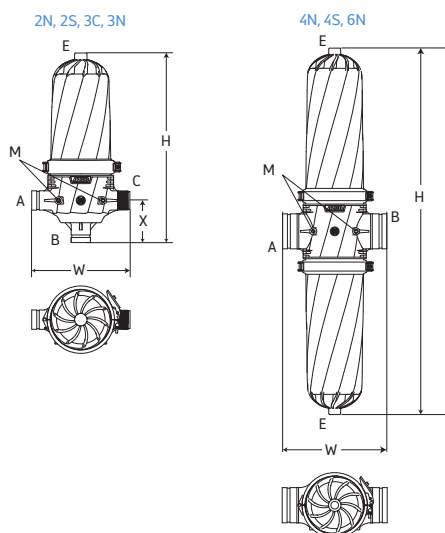
Other filtration degrees available. Consult www.azud.com.

MANUFACTURING MATERIAL

| | |
|-------------------|--|
| Housing | Polyamide reinforced with fiberglass |
| Filtering element | MG discs polypropylene / WS discs HDPE |
| Clamp | Stainless steel |
| Sealing element | NBR |

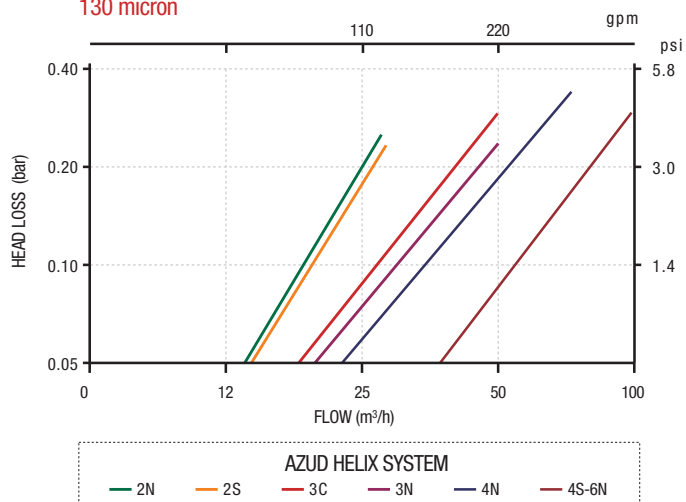
4<pH<11 • Maximum pressure 10 bar / 145 psi • Maximum temperature 60 °C / 140 °F

AZUD HELIX SYSTEM



AZUD HELIX SYSTEM HEAD LOSS

130 micron



| FILTER CONFIGURATION | Connection | Model | Connection | | | Dimensions | | | | | | | | | |
|----------------------|------------|-------|------------|---------|---------|------------|------|-----|------|-----|-----|--|--|--|--|
| | | | A | B | C | H | | W | | X | | | | | |
| | | | | | | mm | in | mm | in | mm | in | | | | |
| | 2" | 2NR | BSP | BSP | BSP | 595 | 23.4 | 310 | 12.2 | 133 | 5.2 | | | | |
| | | 2NA | NPT | NPT | NPT | | | | | | | | | | |
| | | 2NV | GROOVED | GROOVED | BSP | | | | | | | | | | |
| | | 2NW | GROOVED | BSP | GROOVED | | | | | | | | | | |
| | 2"Super | 2SR | BSP | BSP | BSP | 720 | 28.3 | 310 | 12.2 | 133 | 5.2 | | | | |
| | | 2SA | NPT | NPT | NPT | | | | | | | | | | |
| | | 2SV | GROOVED | GROOVED | BSP | | | | | | | | | | |
| | | 2SW | GROOVED | BSP | GROOVED | | | | | | | | | | |
| | | | | | | | | | | | | | | | |
| | 3"C | 3CR | BSP | BSP | BSP | 610 | 24 | 336 | 13.2 | 147 | 5.8 | | | | |
| | | 3CA | NPT | NPT | NPT | | | | | | | | | | |
| | | 3CV | GROOVED | GROOVED | BSP | | | | | | | | | | |
| | | 3CW | GROOVED | BSP | GROOVED | | | | | | | | | | |
| | 3" | 3NR | BSP | BSP | BSP | 735 | 28.9 | 336 | 13.2 | 147 | 5.8 | | | | |
| | | 3NA | NPT | NPT | NPT | | | | | | | | | | |
| | | 3NV | GROOVED | GROOVED | BSP | | | | | | | | | | |
| | | 3NW | GROOVED | BSP | GROOVED | | | | | | | | | | |
| | 4" | 4NL | GROOVED | GROOVED | - | 950 | 37.4 | 341 | 13.4 | - | - | | | | |
| | | 4NB | FLANGE | FLANGE | | | | | | | | | | | |
| | | | | | | | | | | | | | | | |
| | 4"Super | 4SL | GROOVED | GROOVED | - | 1200 | 47.2 | 341 | 13.4 | - | - | | | | |
| | | 4SB | FLANGE | FLANGE | | | | | | | | | | | |
| | | 6NB | FLANGE | FLANGE | - | 1200 | 47.2 | 531 | 20.9 | - | - | | | | |

Connection E 3/4" BSP • Connection M 1/4" BSP