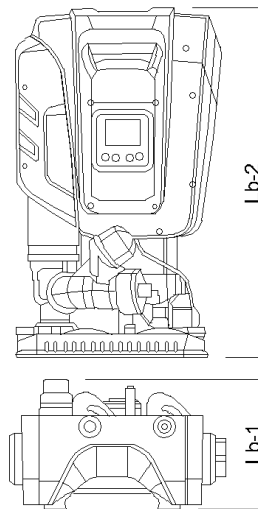
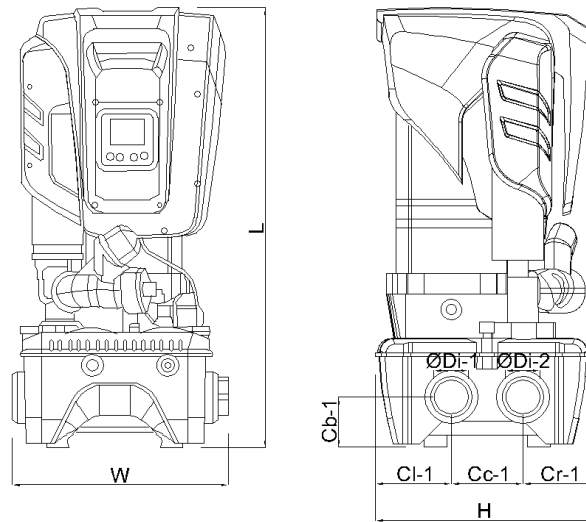


Pump Diagram



PUMP MODEL	L	W	H	Cl-1	Cc-1	Cr-1	Cb-1	Lb-1	Lb-2	ØDi-1	ØDi-2
7031295	766	375	384	131.8	124.5	127.7	87	613	228	1 1/4" - 2"	1 1/4" - 2"

All dimensions are in mm.