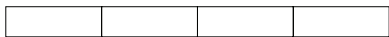
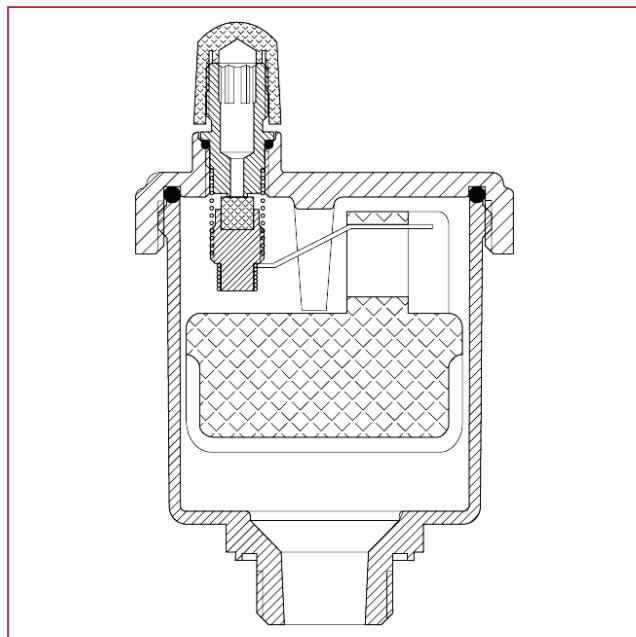




## AIR VENT VALVES AND SAFETY VALVES



### MATERIALS



POS.	DESCRIPTION	N.	MATERIAL
1	Body	-	Brass UNI EN 1982
2	Cap	-	Brass CW617N
3	Float	-	Polyethylene
4	Cap	-	Polyethylene
5	Washer	-	NBR
6	Mechanism	-	Brass
7	Junction	-	Acetal resin
8	Lever	-	Acetal resin
9	Stop	-	Acetal resin