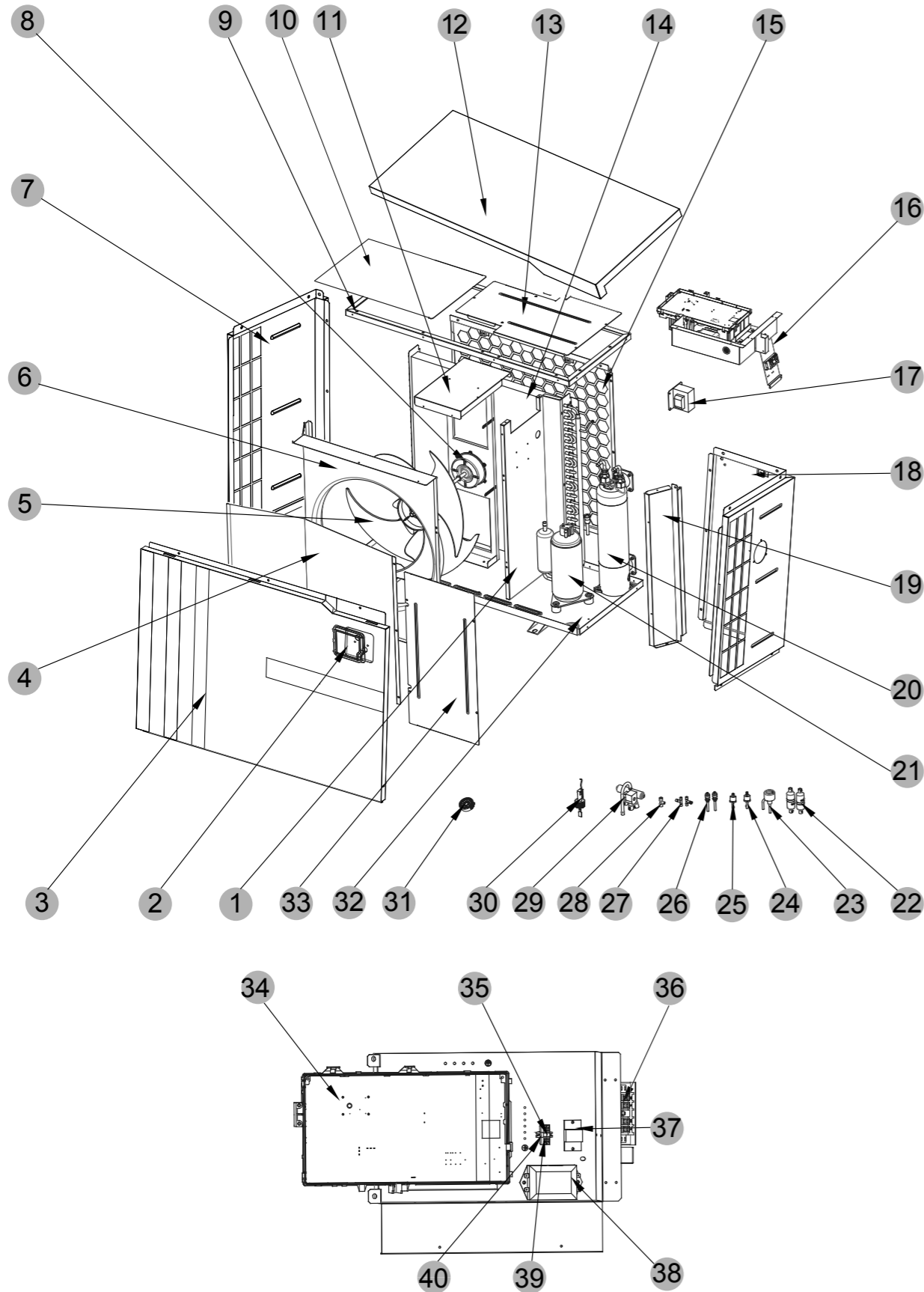


7031955 - NORSUP HEAT PUMP INVERTER, TYPE SILENT-PRO (TYPE 20)



7031955 - NORSUP HEAT PUMP INVERTER, TYPE SILENT-PRO (TYPE 20)

NR.	DESCRIPTION	PART NR.
1	Median septum	
2	CP203 User Interface	7034063
3	Front panel	
4	Wind deflector	
5	Fan blade	7034064
6	Wind deflector panel	
7	Left panel	
8	Fan motor	7034065
9	Top frame assembly	
10	Support plate	
11	Fan motor bracket	
12	Top cover	
13	Support plate	
14	Fin Heat Exchanger	
15	Back net	
16	Electrical box	
17	Reactor	7034066
18	Right panel	
19	Stand column	
20	Titanium Tube Heat Exchanger	7034074
21	Compressor	
22	Filter	
23	Electronic Expansion Valve	7034068
24	Low pressure switch	7034057
25	High pressure switch	7034056
26	Needle valve	7034058
27	Tee-joints	
28	Tee-joints	
29	Reversing Valve	7034069
30	Water flow switch	7034059
31	Sheath	
32	Chassis	
33	Partition	
34	Inverter board controller	7034070
35	Terminal	7034071
36	5-pole Terminal	7034060
37	Relay	7034061
38	EMC Filter	
39	Terminal	7034072
40	Terminal	7034073