

10.1

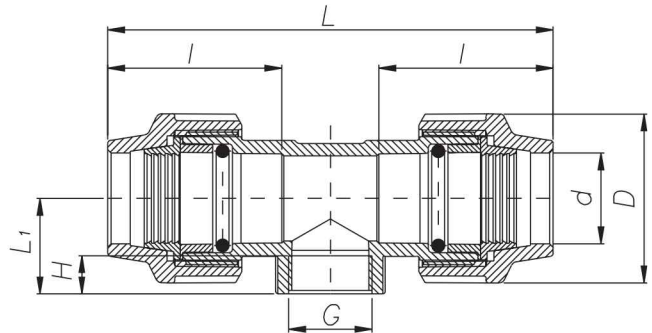
10.1

10.1

COD. 1007


90° TEE WITH THREADED FEMALE TAKE OFF
 T À 90° AVEC SORTIE FEMELLE
 T-KUS S VNITŘNÍM ZÁVITEM

*The threaded end is reinforced with a stainless steel ring
 *La bouche filetée est renforcée par une bague en acier inox
 *Konec závitů je vyztužen kroužkem z nerezové oceli



COD	dxGxd	D	L	l	H	L ₁	PN
1007016002001	16x1/2"x16	42	123	49	17	31	16
1007016003001	16x3/4"x16	42	123	49	17	31	16
1007020002001	20x1/2"x20	46	139	55	19	47	16
1007020003001	20x3/4"x20	46	139	55	19	47	16
1007025002001	25x1/2"x25	55	160	63	16	50	16
1007025003001	25x3/4"x25	55	160	63	16	50	16
1007025004001	25x1"x25	55	160	63	21	55	16
1007032002001	32x1/2"x32	63	183	68	17	53	16
1007032003001	32x3/4"x32	63	183	68	17	53	16
1007032004001	32x1"x32	63	183	68	21	57	16
1007032005001	*32x1 1/4"x32	63	183	68	24	60	16
1007040004001	40x1"x40	79	205	81	21	45	16
1007040005001	*40x1 1/4"x40	79	217	81	25	49	16
1007040006001	*40x1 1/2"x40	79	210	81	23	47	16
1007050002001	50x1/2"x50	96	254	97	31	61	16
1007050005001	*50x1 1/4"x50	96	254	97	24	54	16
1007050006001	*50x1 1/2"x50	96	254	97	24	54	16
1007050007001	*50x2"x50	96	254	97	27	57	16
1007063005001	*63x1 1/4"x63	115	313	123	27	62	16
1007063006001	*63x1 1/2"x63	115	313	123	27	62	16
1007063007001	*63x2"x63	115	313	123	30	65	16
1007063008001	*63x2 1/2"x63	115	313	123	30	65	16
1007076007001	*75x2"x75	129	362	138	35	84	16
1007076008001	*75x2 1/2"x75	129	362	138	35	84	16
1007076009001	*75x3"x75	129	362	138	36	85	16
1007091008001	*90x2 1/2"x90	155	406	154	43	91	16
1007091009001	*90x3"x90	155	406	154	47	95	16
1007091010001	*90x4"x90	155	406	154	47	95	16
1007111009001	*110x3"x110	183	534	205	41	104	16
1007111010001	*110x4"x110	183	534	205	45	104	16