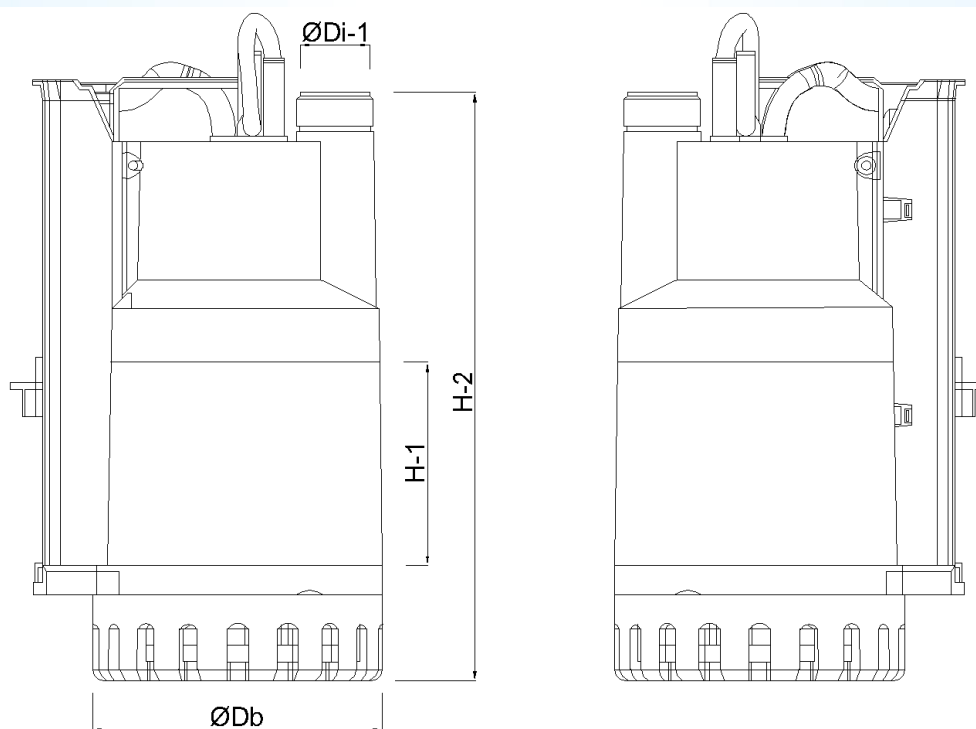


Pump Diagram



PUMP MODEL	H-1	H-2	ØDb	ØDi-1
7030941	295.3		160	1 1/4"
7030942	295.3		160	1 1/4"
7030943	296	75.9	160	1 1/4"
7030944	296	111.6	160	1 1/4"
7030945	332	111.6	160	1 1/4"
7030946	332	75.9	160	1 1/4"

All dimensions are in mm.