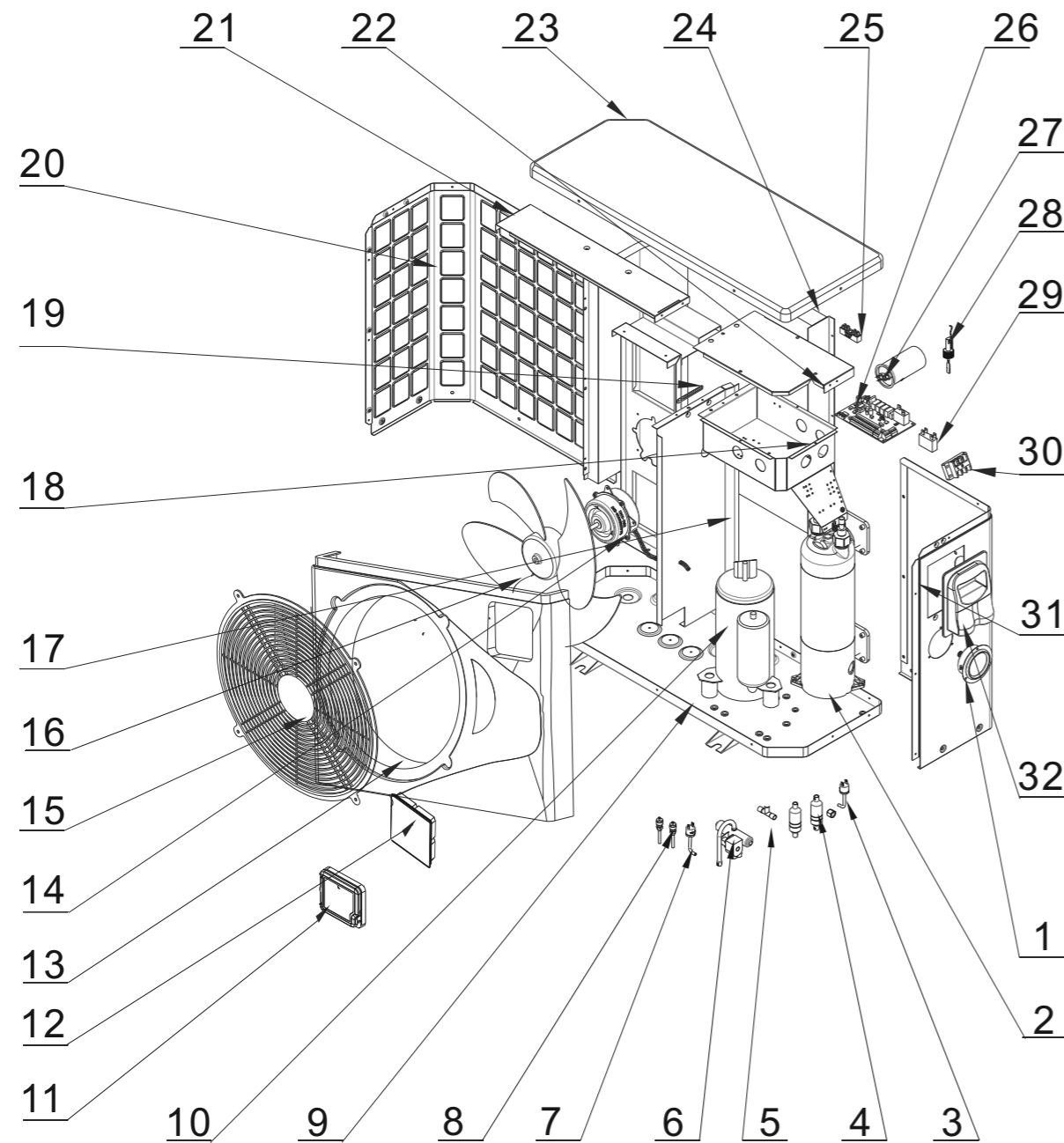


7024524 - HYDRO-PRO HEAT PUMP, TYPE P ON/OFF (TYPE P6/32)



7024524 - HYDRO-PRO HEAT PUMP, TYPE P ON/OFF (TYPE P6/32)

NR.	DESCRIPTION	PART NR.
1	Pressure meter 0 - 65bar gas F 32	7024868
2	Titanium heat exchanger P6/32	7024873
3	High pressure switch 3.2MPa/4.4MPa	7011008
4	Filter(1)	
5	3-way connection	
6	4-way reverse valve	
7	Low pressure switch 0.3MPa/0.15MPa	7011009
8	Hydro-Pro+ Premium Needle valve messing	7006466
9	Chassis	
10	Compressor WHP04350GUV-A6DT	
11	Waterproof cover	
12	LCD touch-screen display assembly Wi-Fi	7016596
13	Front panel	
14	Axial fan motor 35W YDK35-6	7024869
15	Fan motor net	
16	Fan blade 405mm x 134mm, 7mm hole anticlockwise	7024879
17	Middle separation panel	
18	Electrical box	
19	Fan motor bracket	
20	Back panel	
21	Supporting panel	
22	Electrical box cover	
23	Top lid 746 x 289,5 mm	7033049
24	Evaporator	
25	2-way wire connector	7011019
26a	PC 1001 controller 82300022-35005-310457 P6/32	7025262
26b	PC 1001 controller 82300022-35005-310457	7026538
27	Condensator 30µF type round wired	7010428
28	Water flow switch with glue adapter 32 mm	7006471
29	Condensator 2µF type square plugged	7010416
30	Five-seat connector	7011025
31	Right pannel	
32	Connected cover	
	Temperature sensor(5K)	7011007
	Exhausted temperature sensor 50K	7024867
	Rubber feet	
	Flotide Union coupler with O-ring PVC-U 50 mm x 1 1/2" glue socket x male thread 10bar grey	0100432
	10 metre extension cable	7025168
	Winter cover L*W*H 77*30*58 cm	7009812