
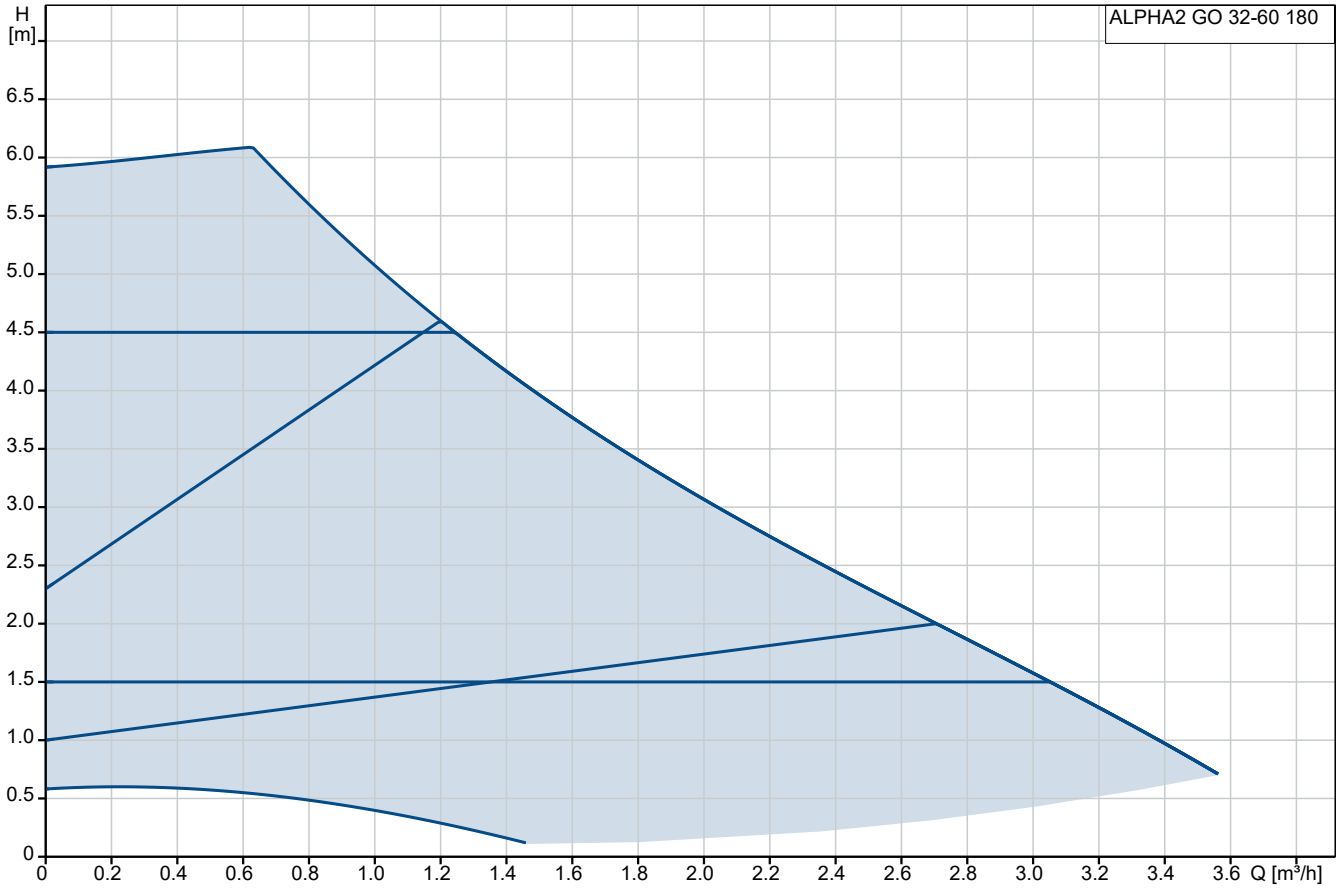


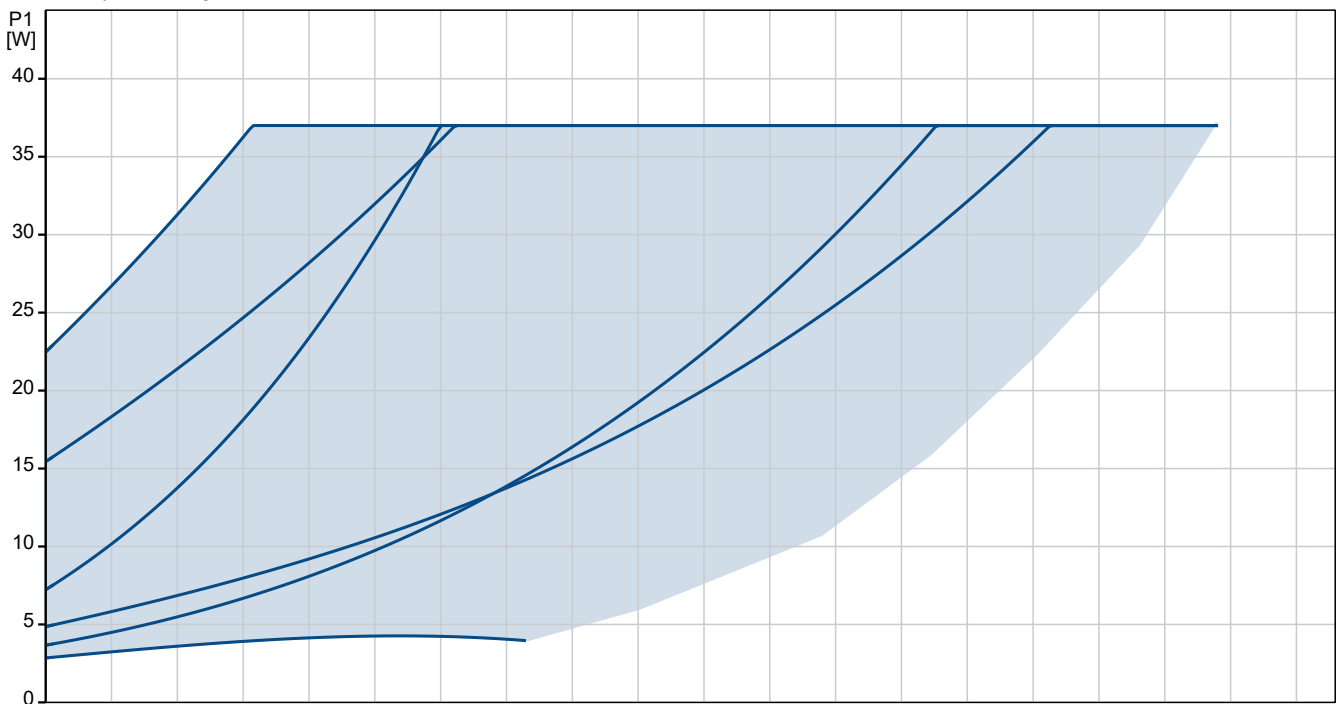
Qty.	Description
1	<p data-bbox="201 383 459 405">ALPHA2 GO 32-60 180</p>  <p data-bbox="592 725 1062 748">Note! Product picture may differ from actual product</p> <p data-bbox="201 757 464 779">Product No.: 93074214</p> <p data-bbox="201 869 1401 920">ALPHA2 GO is a high-efficiency circulator pump fitted with an electronically commutated motor and designed for circulating liquids in heating and air conditioning systems.</p> <p data-bbox="201 965 1449 1016">The Grundfos GO app offers a range of digital features that simplify the setup process for both new and replacement installations.</p> <p data-bbox="201 1061 1385 1113">By using Grundfos GO, you can easily verify compatibility when replacing integrated and stand-alone circulator pumps, including replicating exact pump curves.</p> <p data-bbox="201 1158 1449 1227">ALPHA2 GO is designed with intelligent controls modes: constant pressure, proportional pressure, constant flow and constant curve. Each mode has adjustable setpoints. The AUTOADAPT setting, available for constant and proportional pressure, removes the need to manually select the pump setpoint.</p> <p data-bbox="201 1272 1286 1301">The PWM input allows for precise control of the speed, better enabling complete system optimization.</p> <p data-bbox="201 1346 962 1375">The toolless installer plug results in fast and easy electrical connection.</p> <p data-bbox="201 1420 1378 1449">The automatic self-venting ability and dry-running protection ensure quiet operation and reliability of the pump.</p> <p data-bbox="201 1494 1437 1563">The product features robust startup which reduces the risk of blockages from dirt, magnetite and limescale build-up. In the unlikely case of a blocked pump, the motor attempts to continuously start at the highest possible torque, ensuring startup in tough conditions.</p> <p data-bbox="201 1608 1430 1655">The ceramic shaft and bearings experience minimal wear, resulting in a longer lifespan and a reduced likelihood of noise in the system due to increased bearing clearance from wear.</p> <p data-bbox="201 1700 1414 1747">When the system air detection and venting feature detects air in the system, the circulator pump pulsates to more effectively push air to the closest air removal device.</p> <p data-bbox="201 1792 1442 1839">Grundfos GO also provides the ability to conveniently fault-find the system through the event log and historical trend data for flow, head, estimated media temperature and on-cycle durations.</p> <p data-bbox="201 1917 639 1973">Controls: Frequency converter: Built-in</p> <p data-bbox="201 2018 632 2074">Liquid: Pumped liquid: Water</p>

Qty.	Description
1	<p>Liquid temperature range: 2 .. 110 °C</p> <p>Selected liquid temperature: 20 °C</p> <p>Density: 998.2 kg/m³</p> <p>Technical:</p> <p>Rated flow: 1.9 m³/h</p> <p>Rated head: 3.26 m</p> <p>Pump head orientation: 9H</p> <p>Approvals: CE,VDE</p> <p>Materials:</p> <p>Pump housing: Cast iron EN 1561 EN-GJL-150 ASTM A48M-150B</p> <p>Impeller: Composite PES 30% GF + PESU-GF20%</p> <p>Installation:</p> <p>Range of ambient temperature: 0 .. 55 °C</p> <p>Maximum operating pressure: 10 bar</p> <p>Pipe connection standard: ISO 228-1</p> <p>Type of connection: G</p> <p>Size of connection: 2 inch</p> <p>Pressure rating for connection: PN 10</p> <p>Port-to-port length: 180 mm</p> <p>Electrical data:</p> <p>P1 min.: 3 W</p> <p>Max. P1: 37 W</p> <p>Mains frequency: 50 / 60 Hz</p> <p>Rated voltage: 1 x 220-240 V</p> <p>Minimum current consumption: 0.04 A</p> <p>Maximum current consumption: 0.4 A</p> <p>Enclosure class (IEC 34-5): IP44</p> <p>Insulation class (IEC 85): F</p> <p>Thermal protection: Electronic</p> <p>Others:</p> <p>Energy (EEI): 0.18</p> <p>Net weight: 2.09 kg</p> <p>Gross weight: 2.27 kg</p> <p>Shipping volume: 0.004 m³</p> <p>Danish VVS No.: 380475360</p> <p>Swedish RSK No.: 5746859</p> <p>Finnish LVI No.: 4616571</p> <p>Norwegian NRF no.: 1392946</p>

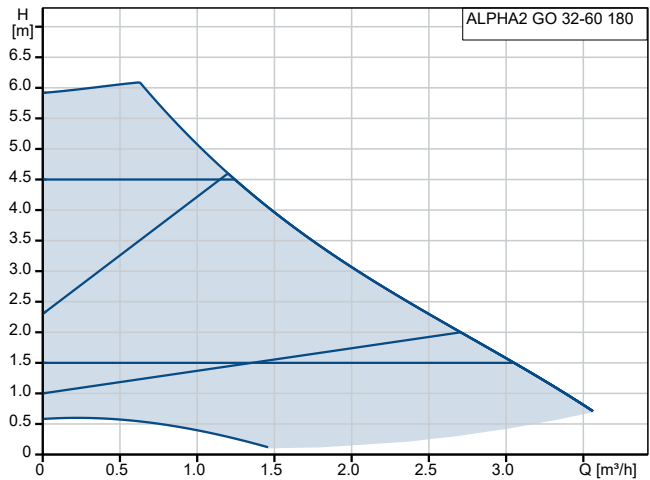
93074214 ALPHA2 GO 32-60 180



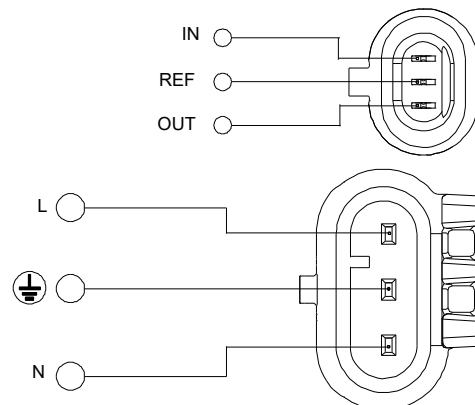
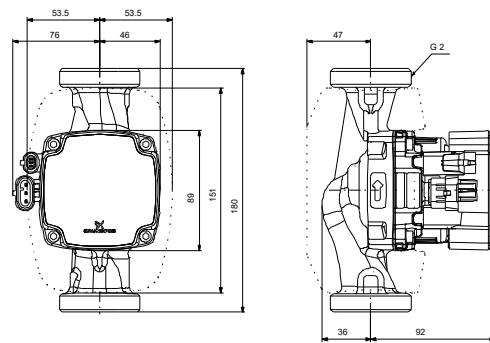
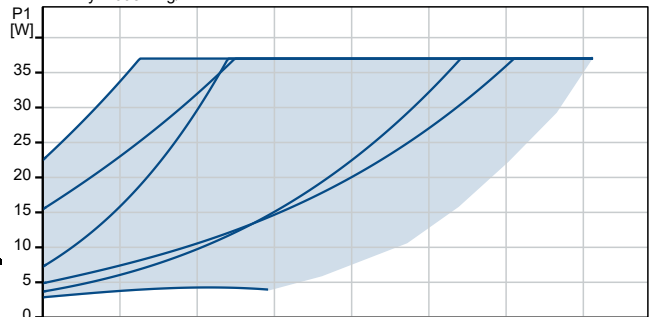
Pumped liquid = Water
 Liquid temperature during operation = 20 °C
 Density = 998.2 kg/m³



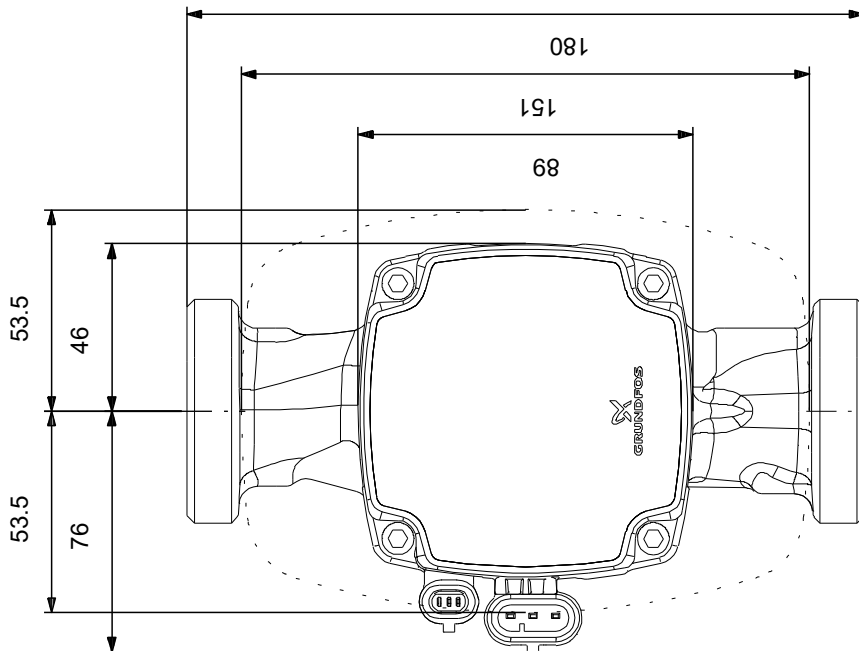
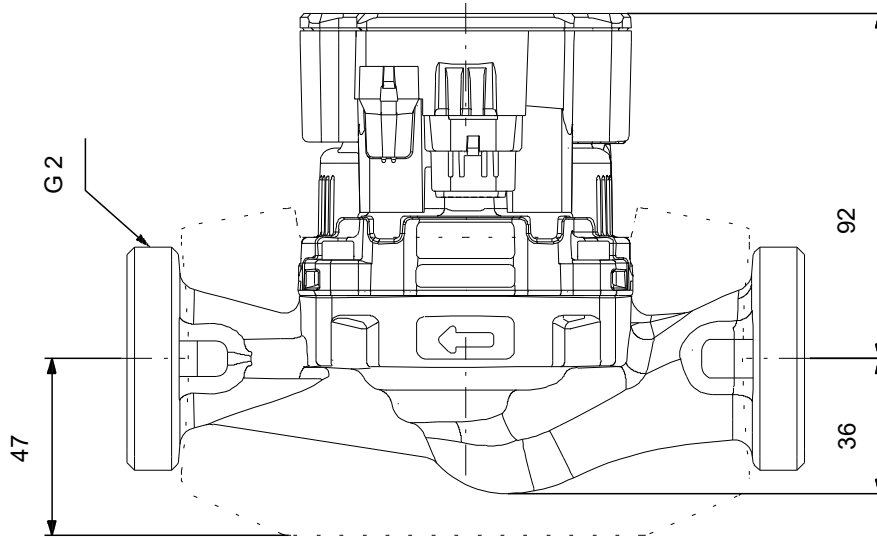
Description	Value
General information:	
Product name:	ALPHA2 GO 32-60 180
Product No:	93074214
EAN number:	5715467404418
Technical:	
Rated flow:	1.9 m ³ /h
Rated head:	3.26 m
Maximum head:	60 dm
Pump head orientation:	9H
Approvals:	CE, VDE
Model:	A
Materials:	
Pump housing:	Cast iron EN 1561 EN-GJL-150 ASTM A48M-150B
Impeller:	Composite PES 30% GF + PESU-GF20%
Installation:	
Range of ambient temperature:	0 .. 55 °C
Maximum operating pressure:	10 bar
Pipe connection standard:	ISO 228-1
Type of connection:	G
Size of connection:	2 inch
Pressure rating for connection:	PN 10
Port-to-port length:	180 mm
Liquid:	
Pumped liquid:	Water
Liquid temperature range:	2 .. 110 °C
Selected liquid temperature:	20 °C
Density:	998.2 kg/m ³
Electrical data:	
P1 min.:	3 W
Max. P1:	37 W
Mains frequency:	50 / 60 Hz
Rated voltage:	1 x 220-240 V
Minimum current consumption:	0.04 A
Maximum current consumption:	0.4 A
Enclosure class (IEC 34-5):	IP44
Insulation class (IEC 85):	F
Thermal protection:	Electronic
Controls:	
Frequency converter:	Built-in
Others:	
Energy (EEI):	0.18
Net weight:	2.09 kg
Gross weight:	2.27 kg
Shipping volume:	0.004 m ³
Danish VVS No.:	380475360
Swedish RSK No.:	5746859
Finnish LVI No.:	4616571
Norwegian NRF no.:	1392946



Pumped liquid = Water
Liquid temperature during operation = 20 °C
Density = 998.2 kg/m³

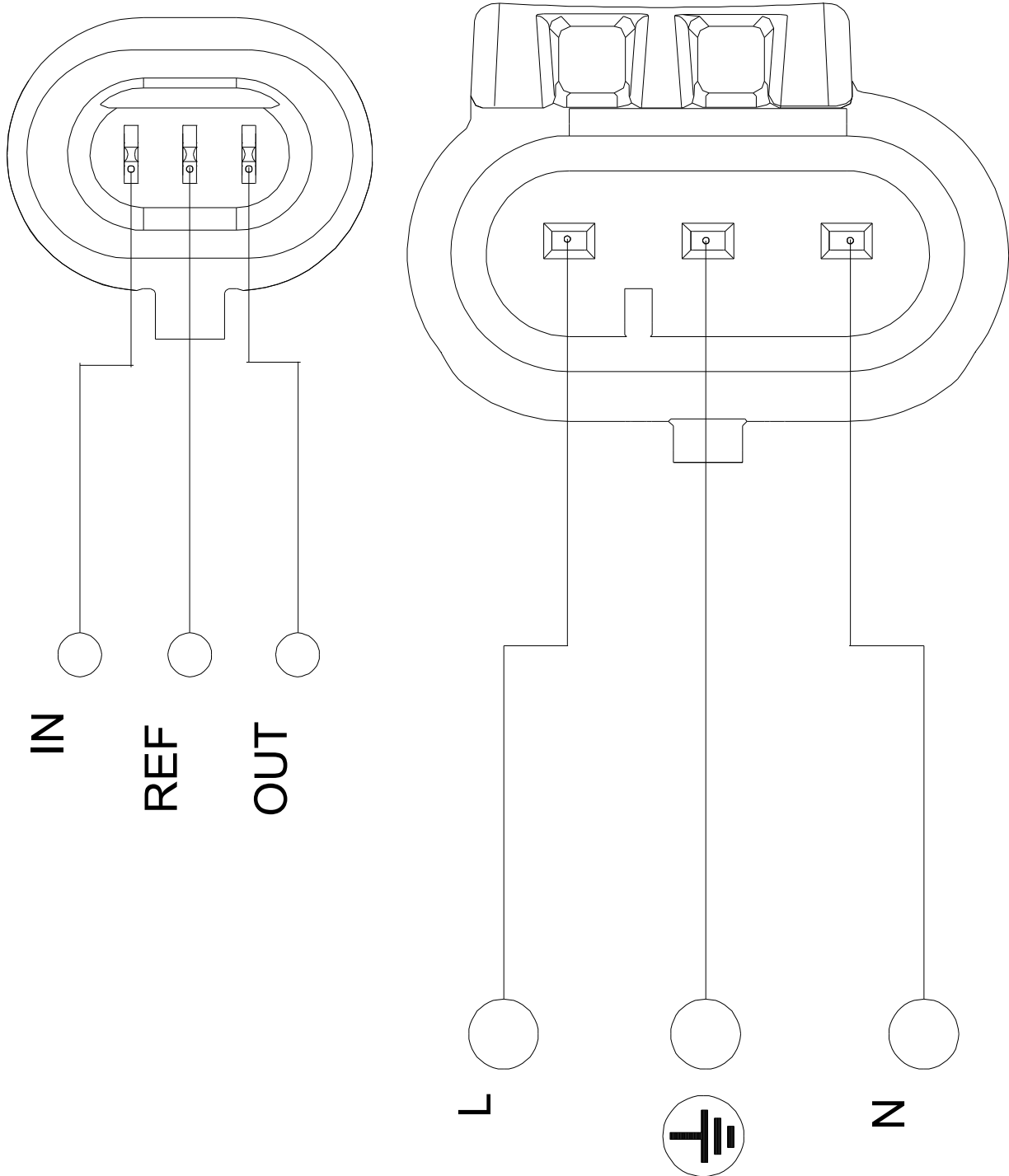


93074214 ALPHA2 GO 32-60 180



Note! All units are in [mm] unless others are stated.
Disclaimer: This simplified dimensional drawing does not show all details.

93074214 ALPHA2 GO 32-60 180



Note! All units are in [mm] unless others are stated.