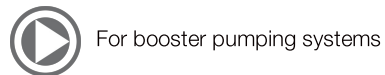




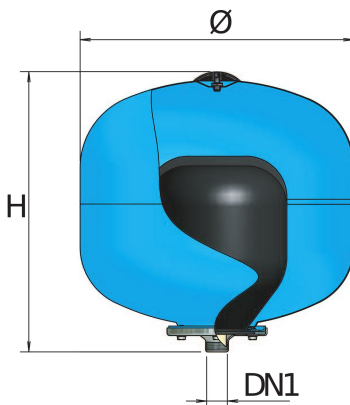
AF

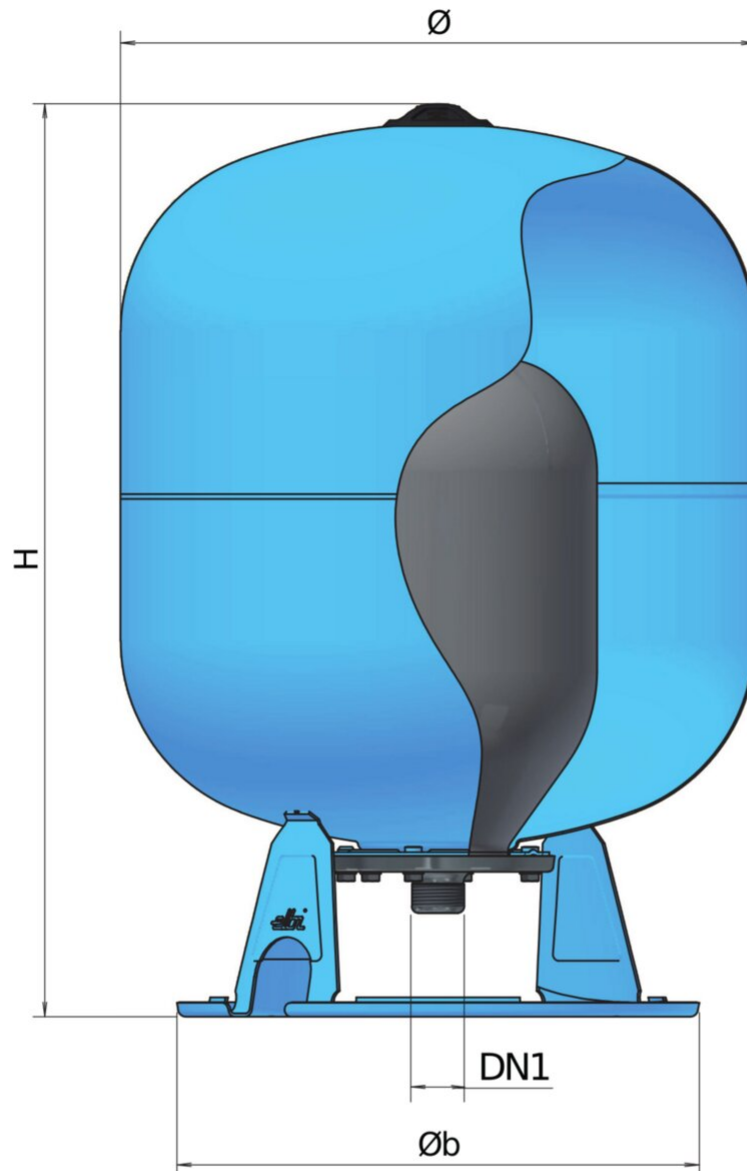
REPLACEABLE BLADDER AUTOCLAVES FOR SANITARY WATER (35 - 500 lt.)

35 - 500 litres

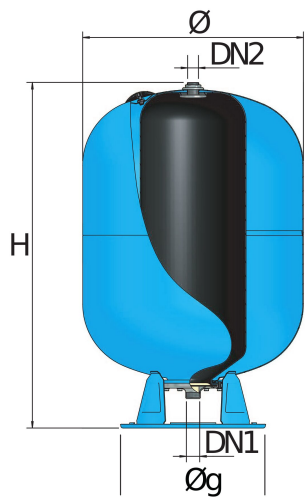


AF 35 - AF 50

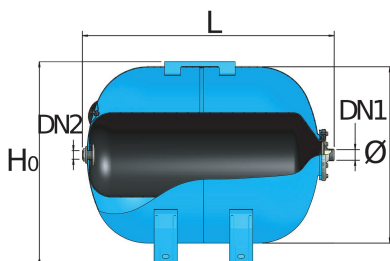




AFV 50 - 500



AFH 50 - 300



AFV 500 16 BAR



Keyword

DN	Description
DN1	Water connection
DN2	Auxiliary connection for valve or pressure gauge

Model	Code	Capacity L	Tmin	Tmax	P _{PRE}	P _{MAX}	H mm	L mm	Ø skirt mm	Ø mm	Pm mm	Packing mm	Dim. plt mm
AF 35 CE	A032L31	35	-10°C	99°C	2.5	10	405			400		410x410x410	1000x1500x1000
AF 50 CE	A052L34	50	-10°C	99°C	2.5	10	505			400		410x410x530	
AFV 50 CE	A032L34	50	-10°C	99°C	2.5	10	565		330	400	695	410x410x610	
AFV 60 CE	A032L35	60	-10°C	99°C	2.5	10	710		330	400	830	410x410x755	
AFV 80 CE	A032L37	80	-10°C	99°C	2.5	10	820		330	400	930	410x410x855	
AFV 100 CE	A032L38	100	-10°C	99°C	2.5	10	740		330	500	910	510x510x825	
AFV 150 CE	A032L43	150	-10°C	99°C	2.5	10	950		330	500	1090	510x510x1035	
AFV 200 CE	A032L47	200	-10°C	99°C	2.5	10	1025		485	600	1200	610x610x1105	
AFV 300 CE	A032L51	300	-10°C	99°C	2.5	10	1190		485	650	1375	660x660x1285	
AFV 500 CE	A032L55	500	-10°C	99°C	2.5	10	1335		485	775	1560	785x785x1435	
AFH 50 CE	A042L34	50	-10°C	99°C	2.5	10	420	505		400		435x520x435	
AFH 60 CE	A042L35	60	-10°C	99°C	2.5	10	485	650		400		410x685x490	
AFH 80 CE	A042L37	80	-10°C	99°C	2.5	10	485	765		400		410x775x490	
AFH 100 CE	A042L38	100	-10°C	99°C	2.5	10	580	685		500		510x720x600	
AFH 200 CE	A042L47	200	-10°C	99°C	2.5	10	675	945		600		610x1000x680	
AFH 300 CE	A042L51	300	-10°C	99°C	2.5	10	725	1110		650		660x1190x730	
AFV 100/16 CE	A032R38	100	-10°C	99°C	2.5	16	740		330	500	910	510x510x825	
AFV 200/16 CE	A032R47	200	-10°C	99°C	2.5	16	1025		485	600	1200	610x610x1105	
AFV 300/16 CE	A032R51	300	-10°C	99°C	2.5	16	1190		485	650	1375	660x660x1285	
AFV 500/16 CE	A032R55	500	-10°C	99°C	2.5	16	1900			650	2010	0x0x0	

For larger tanks see the DL series

Connection heights (mm)

MODEL	DN1	DN2
AF 35 CE	-	-
AF 50 CE	-	-
AFV 50 CE	50	-
AFV 60 CE	50	-
AFV 80 CE	50	-
AFV 100 CE	50	-
AFV 150 CE	50	-
AFV 200 CE	85	-
AFV 300 CE	85	-
AFV 500 CE	90	-
AFH 50 CE	-	-
AFH 60 CE	-	-
AFH 80 CE	-	-
AFH 100 CE	-	-
AFH 200 CE	-	-
AFH 300 CE	-	-
AFV 100/16 CE	55	-
AFV 200/16 CE	115	-
AFV 300/16 CE	115	-
AFV 500/16 CE	180	-

Connection sizes

MODEL	DN1	DN2
AF 35 CE	G1"	-
AF 50 CE	G1"	-
AFV 50 CE	G1"	-
AFV 60 CE	G1"	G1/2"F / G3/4"M
AFV 80 CE	G1"	G1/2"F / G3/4"M
AFV 100 CE	G1"	G1/2"F / G3/4"M
AFV 150 CE	G1"	G1/2"F / G3/4"M
AFV 200 CE	G1"1/4	G1/2"F / G3/4"M
AFV 300 CE	G1"1/4	G1/2"F / G3/4"M
AFV 500 CE	G1"1/4	G1/2"F / G3/4"M
AFH 50 CE	G1"	-
AFH 60 CE	G1"	G1/2"F / G3/4"M
AFH 80 CE	G1"	G1/2"F / G3/4"M
AFH 100 CE	G1"	G1/2"F / G3/4"M
AFH 200 CE	G1"1/4	G1/2"F / G3/4"M
AFH 300 CE	G1"1/4	G1/2"F / G3/4"M
AFV 100/16 CE	1"NPT	G1/2"F / G3/4"M
AFV 200/16 CE	1"1/4 NPT	G1/2"F / G3/4"M
AFV 300/16 CE	1"1/4 NPT	G1/2"F / G3/4"M
AFV 500/16 CE	G2"	G1/2"F / G3/4"M

Reference standards

Declaration of conformity to essential requirements specified in 2014/68/UE Directive

Warranty: 2 years**Materials**

Cylinder in carbon steel. External epoxy blue paint treatment (RAL 5015).

Replaceable bladder in EPDM rubber suitable for contact with potable water.

For models provided with bulk head fitting, after vessel filling (ie. once water starts to leak out of the hole on the fitting) the connection on it may be used for a pressure gauge or a safety valve otherwise it must be plugged.