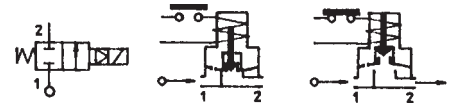


2/2-Way Solenoidvalve

T-Series

VALVE TYPE: PILOT OPERATED

Function	: normally closed, NC
Construction	: diaphragm
Pressure range	: 0,1 - 16 bar max., see tabel
Material	: brass with stainless steel inner parts
Seal	: NBR standard, viton of EPDM optional
Ambient temp.	: max. +35°C
Medium temp.	: -10 upto +90°C
Viscosity	: max. 12cSt / ~2°E
Supply voltage	: 230/50, 24/50 24/=
	Other voltages on request
Enclosure	: Din 40050 / IP65
Medium	: neutral, gaseous and liquid
Connection	: 3/8 upto 1/2" BSP



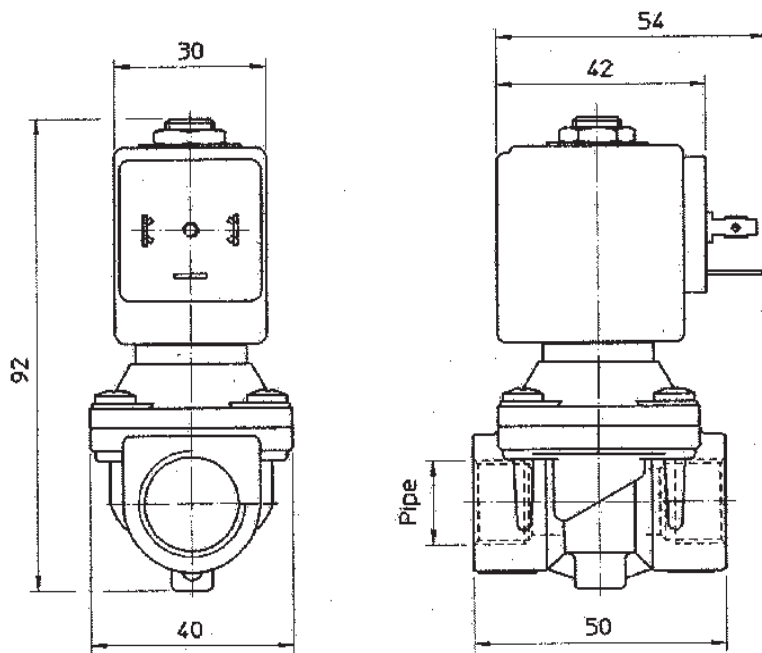
Valve, non-energised, closed by spring power - NC. When energised, the pressure decomposes on the secondary side of the piston. The pressure differential lifts the piston from the seat (orifice) and the valve opens. There should always be a pressure differential, of at least 0,1 bar over the valve, to secure unproblematic operation.

Conn. BSP	Orifice in mm	Flow-rate l/min	Typenumber	Min. pressure (in bar)	Max. pressure (in bar)		Power in Watt
					AC Coil	DC Coil	
3/8"	12	35		0,1	20	10	8
1/2"	12	45		0,1	20	10	8

All technical specifications are given with best knowledge, no responsibility is accepted for the information stated!

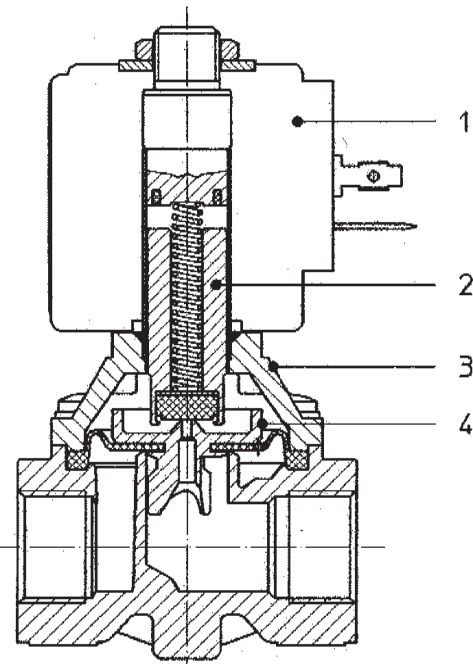
Dimensional drawing standard type

(Dimensions in mm)



Power consumption		
Type	Inrush	Hold
	VA~	VA~
8 Watt	25	14,5

Parts



Pos	Description	Code nr	
1	Coil	8 watt	8 watt
2	Anchor complete	R451284/B	R451284/B
3	Tube complete	R450938	R450938
4	Diaphragm compl.	R450916/B	R450916/B