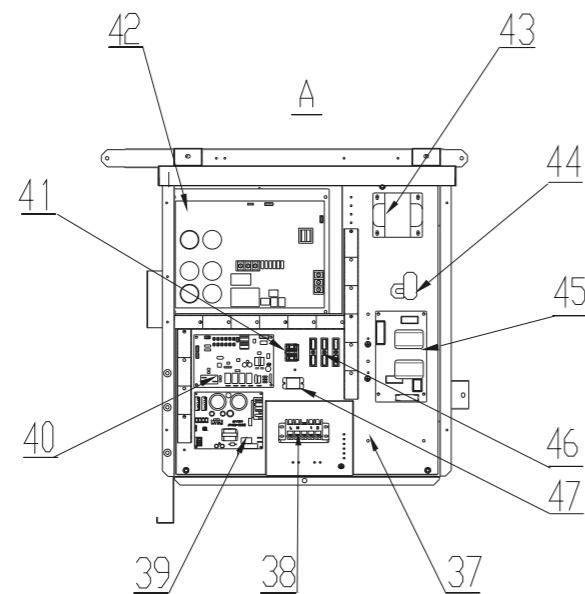
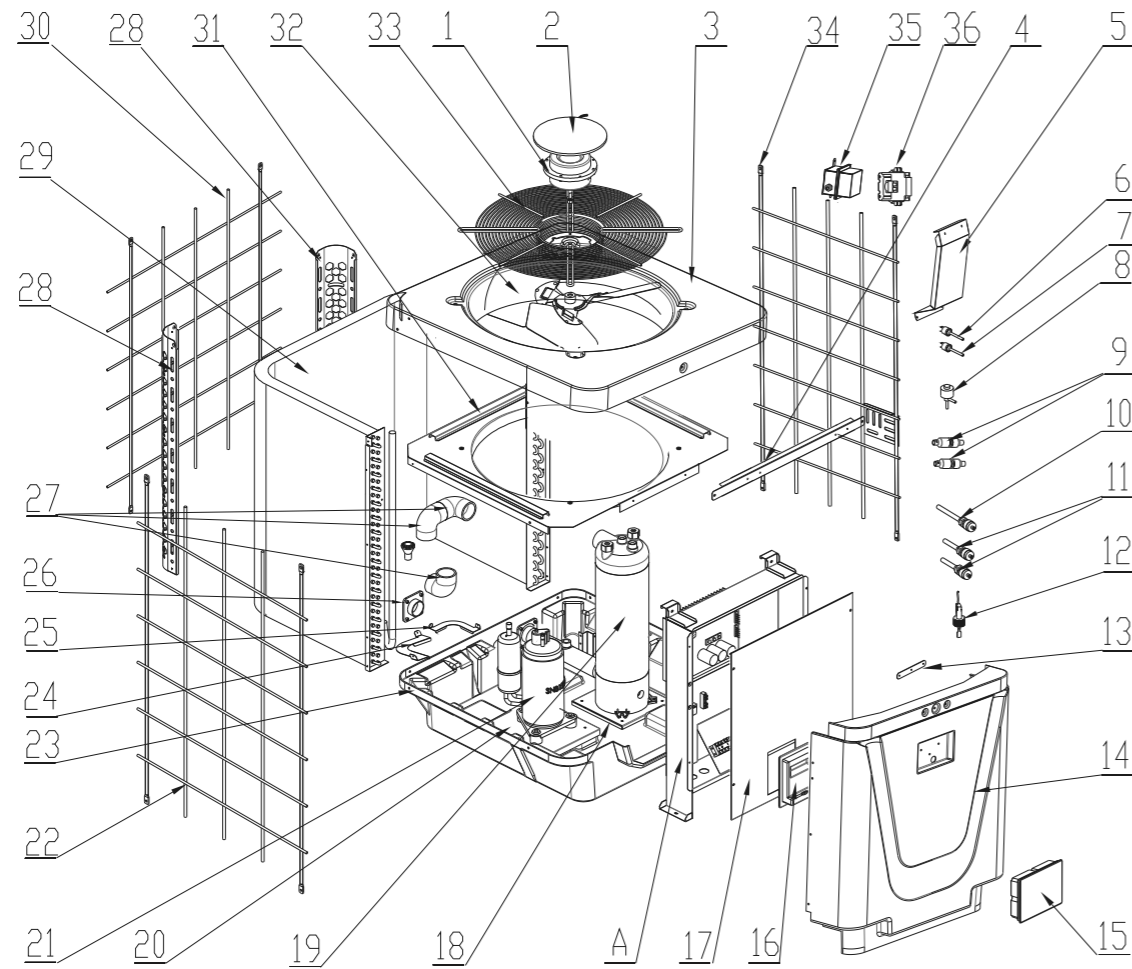


7026967 - NORSUP HEAT PUMP, TYPE PV INVERTER (TYPE P21V/32)



7026967 - NORSUP HEAT PUMP, TYPE PV INVERTER (TYPE P21V/32)

NR.	DESCRIPTION	PART NR.
1	Fan motor 200W ZWS200-B3	7027686
2	Cover plate	
3	Top cover	
4	Stabilizer	
5	Fan protection plate	
6	High pressure switch 3.2MPa/4.4MPa	7011008
7	Low pressure switch 0.3MPa/0.15MPa	7011009
8	Electronic expansion valve	
9	Filter	
10	Needle valve(1)	
11	Needle valve(2)	
12	Water flow switch with glue adapter 32 mm	7006471
13	Surface box fixed plate	
14	Front pannel	
15	Colorful display 20000-430176-8200047	7024942
16	Junction box body	
17	Electrical box support plate	
18	Titanium pipe support	
19	heat exchanger P21V/32 & P21TV/32	7027692
20	Compressor bracket	
21	Compressor SVB220FLGMC-L	
22	Middle Protection net	
23	Chassis	
24	conduit bend	
25	conduit bend	
26	Water connection	
27	Fittings	
28	Rear support column	
29	Evaporator	
30	Back protect net	
31	Top support plate	
32	Fan blad Φ 560mmx150mm, 12.7mm hole anticlockwise	7027688
33	Fan net	
34	Left&Right protection net	
35	Relay	
36	AC contactor(compressor)	
37	Support plate	
38	5-way wire connector	7011025
39	Fan speed control module 20000-430228+35005-310617	7027685
40	PC1004 PCB controller 72200033-20000-430227 type P21V/32	7027670
41	Relay	
42	Inverter driverboard 2AC32I07WM1	7027679
43	Reactance	
44	connector block	
45	Filter plate AC19I32.RWL.150813	7027682
46	2-way wire connector	7011019
47	Relay	
	Temperature sensor(5K)	7011007
	Exhausted temperature sensor 50K	7024867
	Pressure meter 0-55bar gas R 32 (-15°C)Pressure gage	7026259
	Mega Union coupler with O-ring PVC-U 50 mm x 1 1/2" glue socket x male thread 10bar grey	0100432
	Wifi module for Norsup PX, PV series	7027389
	10mtr extension cable + display housing Norsup PX/V-series	7025131
	winter cover 770x990x970 mm	7027697