

## TBOS-BT / TBOS-BT-LT

### Bluetooth Battery-Operated Controller

Install anywhere. Program from a smartphone.

#### Easy to Install

- Ideal for commercial applications, including municipal parks, street and highway landscape projects, and construction projects.
- Convenient durable option for providing uninterrupted irrigation while AC-power is not available.
- The TBOS potted latching solenoid will mount on all Rain Bird valves: DV, DVF, ASVF, PGA, PEB, PESB, EFB-CP, BPE and BPES series.
- One Smartphone can program an unlimited number of TBOS-BT Controllers.
- The TBOS solenoid adapters will adapt the potted latching solenoid for use in retrofit applications with selected Irritrol® (Hardie/Richdel) and Buckner® valves or Champion® and Superior® valve actuators.

#### Easy to Program

- Intuitive programming using the Rain Bird Smartphone app.
- User interface available in these languages: English, French, Spanish, Portuguese, German, Italian, Turkish, Russian, Chinese, Japanese, and Arabic.
- Complete Manual irrigation mode.
- Controller and station names can be customized in App for easier identification.
- TBOS-II Field Transmitter is compatible with TBOS & TBOS-BT Models only. "LT" models are not compatible.

#### Rain Bird App Features (TBOS-BT/LT)

- Low battery indicator warns of failing batteries in the TBOS-BT Controller.
- 3 local irrigation programs may be saved and restored from App.
- Capability to erase the controller's individual station programs or all programs.
- Capability to review the irrigation program.

#### TBOS-BT/LT Controller Features

- Basic programming includes 3 independent programs A, B and C, each with 8 start times per day.
- Stations can be assigned to several programs with different watering run times.

- Run time is from 1 minute to 12 hours in 1-minute increments.
- Independent station operation allows sequential start times (with stacking in case of overlap).
- Program-specific and global Monthly Seasonal Adjust; 0% to 300% (1% increment).
- Five watering day cycle modes (Custom, even, odd, odd-31, cyclical) selectable by program for maximum flexibility and watering restriction compliance.
- Rain Delay from 1 to 14 days.
- Master valve output on TBOS-BT 2-, 4-, and 6-station models.
- A TBOS Backup program may be saved and restored (manually or automatically for Contractor Default capability).
- No loss of irrigation program after a battery replacement.

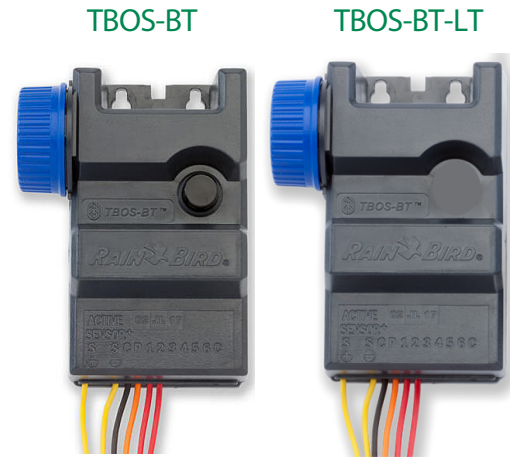
#### TBOS-BT/LT System Components

##### Rain Bird App (TBOS-BT/LT)

- Available for Android and iOS devices.

##### TBOS-BT Controllers

- Available in 4 models: 1, 2, 4, or 6 stations.
- Operates one valve per station.
- Direct Rain Sensor Connection accommodates the Rain Bird RSD-BEx Rain Sensor.
- Operates with one 9V alkaline battery (Energizer and Duracell are recommended) type 6AM6 (international standard) or 6LR61 (European standard): battery not included.
- Battery life is one year with a high-quality 9V alkaline battery.
- Resists humid and harsh environments.
- Rated IP68: 100% waterproof and fully submersible.
- Master Valve/Pump output on on TBOS-BT 2-, 4-, and 6-station models.
- Dimensions: Width: 3.8" (9,5 cm)  
Height: 5.1" (13,0 cm)  
Depth: 2" (5,3 cm)
- Weight: 17.64 ounces (500g)
- Maximum wire run between the controller and solenoid: 30m by using 1.5mm<sup>2</sup> (16 AWG) extended wire.



#### TBOS-BT/LT System Accessories

##### TBOS Potted Latching Solenoid

- Two 0.75 mm<sup>2</sup> wires (18 gauge) are supplied: 60 cm long (23.6 inches)
- Plastic adapter included for Rain Bird valves: DV, DVF, ASVF, PGA, PEB, PESB, EFB-CP, BPE and BPES series.
- 10 bars (150 psi) maximum operating pressure.

##### Certifications

- cULus, FCC Part 15b, ISED RSS-247 Issue 2.0, CE, IP68, ICASA, CITC, ACMA, SUBTEL, SRRRC, MIC, IFETEL, CRA, TRA. For current certifications visit: [www.rainbird.com/tbosbt](http://www.rainbird.com/tbosbt)

#### How to Specify

##### TBOS-BT Controller Models (Europe Only)

- TBOS-BT1 (1 station)
- TBOS-BT2 (2 station)
- TBOS-BT4 (4 station)
- TBOS-BT6 (6 station)

##### TBOS-BT/LT Controller Models (US & Europe)

- TBOS-BT1LT (1 station)
- TBOS-BT2LT (2 station)
- TBOS-BT4LT (4 station)
- TBOS-BT6LT (6 station) Available in Europe only

## TBOS-BT/LT Solenoid Adapters

- Easy to install.
- Black adapter for plastic valves allows the TBOS potted latching solenoid to be used with selected Irritrol (Hardie/Richel) and Buckner valves.
- Brown adapter for brass valves allows the TBOS potted latching solenoid to be used with selected Champion and Superior valve actuators.

## RSD-BEx Rain Shutoff Device

- Operates with 24V or 9V controllers, including TBOS, TBOS-II and TBOS-BT/LT.
- Designed to save water by automatically measuring precipitation and keeping irrigation systems from watering in rainy conditions.
- Does not interrupt irrigation taking place, but subsequent program starts will be prevented.
- Automatic return to normal watering schedule when the moisture level decreases as a result of natural evaporation.

## Specifications

### TBOS-BT/LT Controller

The irrigation controller shall be programmable from the Rain Bird Smartphone App.

The programs and manual operations shall be communicated to the controller from a Smartphone via Bluetooth.

The controller shall be of a module type which may be installed in a valve box underground.

The controller shall be housed in an ABS plastic cabinet and shall be potted to insure waterproof operation. Their battery compartment shall be dual-sealed to prevent water from entering the compartment. The controller shall have two mounting slots for

screws allowing the controller to be securely mounted inside a valve box. The controller shall be designed to accommodate one 9V alkaline battery (EN22- 6L561-6AM6-9V) for one full year regardless of the number of stations utilized.

The controller shall operate \_\_\_\_ (1, 2, 4 or 6) stations.

One sensor input shall be present on the controller and shall accommodate dry contact rain sensor.

\_\_\_\_ -station (2-, 4-, or 6-) models shall be able to support a Master valve.

All valves shall affect the Master Valve /Pump.

The controller shall have station run time capability from one minute to twelve hours in one minute increments, a 365-day calendar with leap year and three programs A, B, C with eight start times each. One valve can be assigned to none, one, any or all programs.

Each program shall be capable of being set to any of the following: custom cycle (days of the week), cyclic (1 to x days variable), odd days, odd days-31 and even days.

The controller shall have a program level and global Monthly Seasonal Adjust; 0% to 300% (1% increment).

A Rain Delay shall allow the user to suspend irrigation programs from 1 to 14 days.

The controller shall be capable of starting/stopping a manual single valve or manual program, cancel irrigation in progress or launch a test valve via Bluetooth from the Rain Bird App.

Each valve not activated during the last 24 hours shall be automatically activated during 1 second each day for an anti-calcium effect.

### TBOS-BT/LT Potted Latching Solenoid

Controller station output shall drive one

single potted latching solenoid that shall fit onto any Rain Bird Valves: DV, DVF, ASVF, PGA, PEB, PESB, EFB-CP, or BPE or BPES series valve.

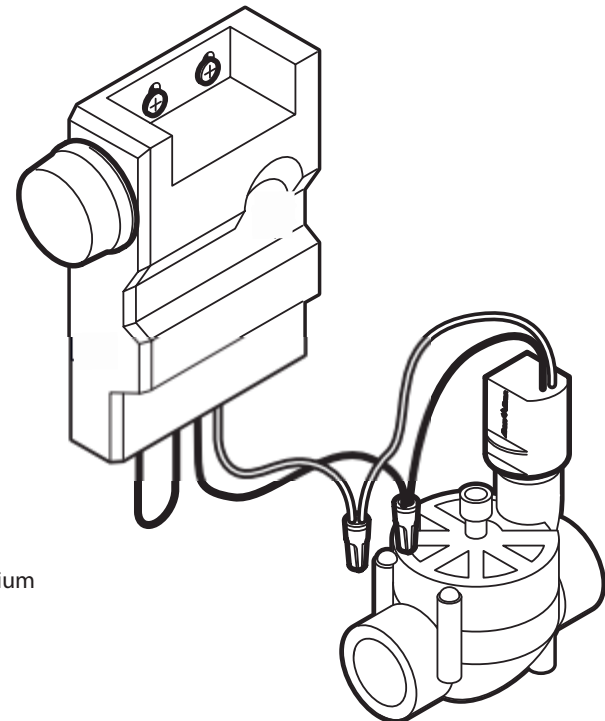
The controller and Potted Latching Solenoid shall be as manufactured by Rain Bird Corporation, Glendora, California, USA.

### TBOS-BT/LT Rain Shutoff Device

The Rain Shutoff Device shall function correctly only when buried under 2" (5 cm) of sand. The device shall be pre-set and nonadjustable.

The device shall function with a DC system only. The device shall have a bypass switch.

The Rain Shutoff Device shall be as manufactured by Rain Bird Corporation, Glendora, California, USA.



### Rain Bird Corporation

6991 East Southpoint Road  
Tucson, AZ 85756  
Phone: (520) 741-6100  
Fax: (520) 741-6522

### Rain Bird Technical Services

(800) RAINBIRD (1-800-724-6247) (U.S. & Canada)

### Rain Bird Corporation

970 West Sierra Madre Avenue  
Azusa, CA 91702  
Phone: (626) 812-3400  
Fax: (626) 812-3411

### Specification Hotline

800-458-3005 (U.S. & Canada)

### Rain Bird International, Inc.

1000 West Sierra Madre Ave  
Azusa, CA 91702  
Phone: (626) 963-9311  
Fax: (626) 852-7343

The Intelligent Use of Water™  
[www.rainbird.com](http://www.rainbird.com)