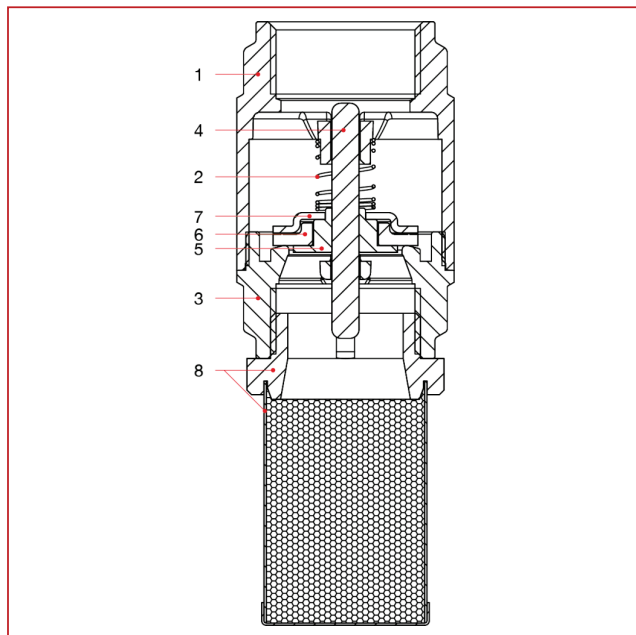




EUROPA® CHECK AND FOOT VALVES

MATERIALS



POS.	DESCRIPTION	N.	MATERIAL
1	Body	1	Brass CW617N
2	Spring	1	Stainless steel AISI 302
3	End adapter	1	Brass CW617N
4	Pin	1	Brass CW614N
5	Cap	1	Brass CW614N
6	Washer	1	NBR
7	Plate	1	Stainless steel AISI 304
8	Strainer	1	Polymer and Stainless steel AISI 304