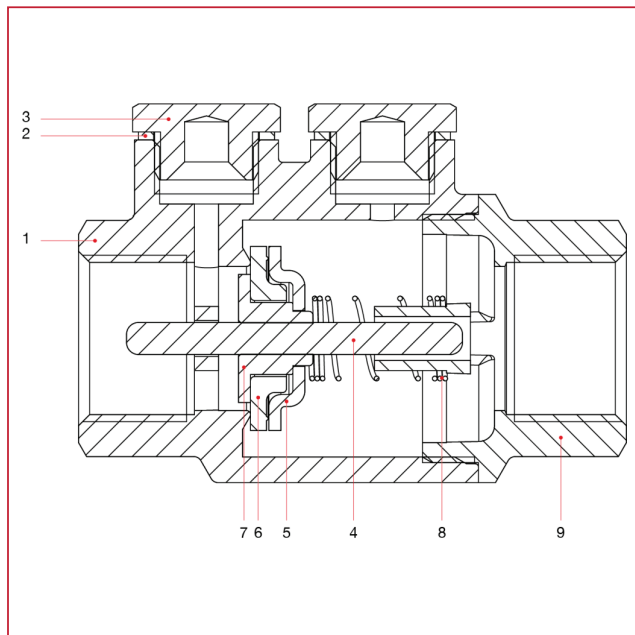




ROMA[®] CHECK VALVES

MATERIALS



POS.	DESCRIPTION	N.	MATERIAL
1	Body	1	Brass CW617N
2	Washer	2	Aluminium
3	Cap	2	Brass CW614N
4	Pin	1	Brass CW614N
5	Plate	1	Stainless steel AISI 304
6	Washer	1	Viton®
7	Cap	1	Brass CW614N
8	Spring	1	Stainless steel AISI 302
9	End adapter	1	Brass CW617N