



**EZ-OPEN PZRM CERT
VALVE BOXES
CERTIFIED
SAFETY &
QUALITY**





INDEX

1. UNI CERTIFICATE

UNI EN 124-6 A15 certification allows the installation of valve boxes in public places

2. ICMQ INSTITUTE

All Rain CERT valve boxes are marked with the ICMQ logo

3. CERTIFIED PRODUCTION PROCESS

The entire production process is certified by the ICMQ Certification Body according to the directives of the UNI standard

4. MARKINGS

All information required by the certification is permanently and visibly displayed on the lid

5. MAIN FEATURES

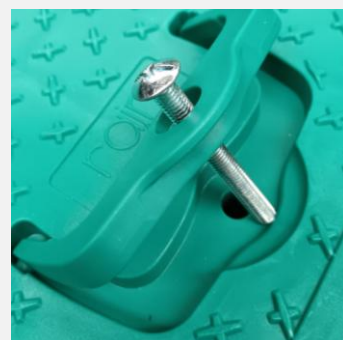
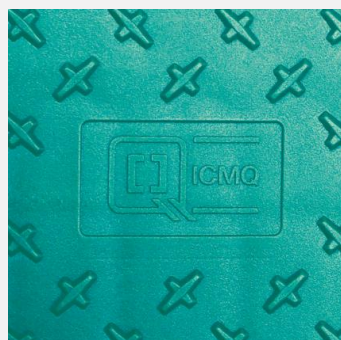
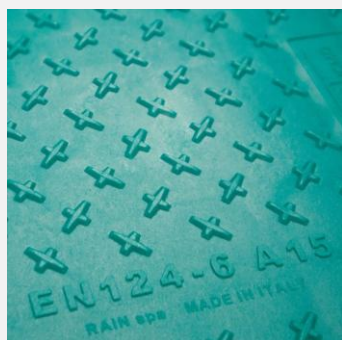
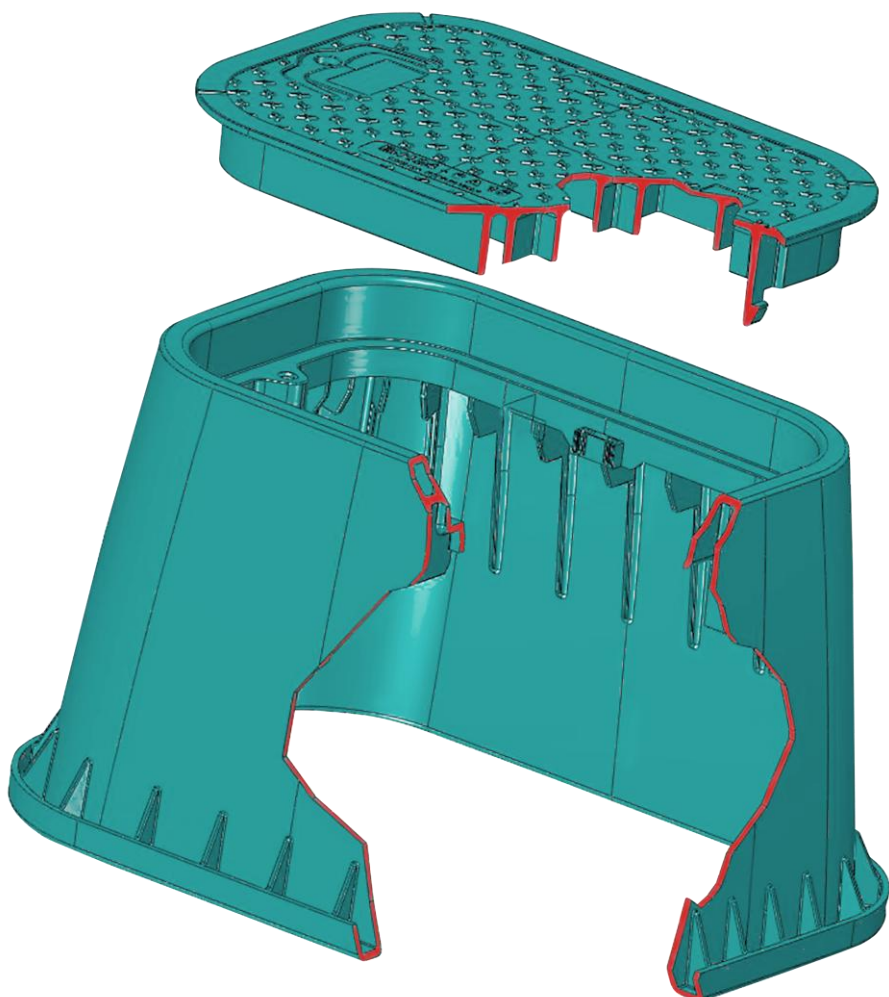
- Non-slip lid
- Water drainage from lid
- Reinforced handle opening
- Safe Lock Bolt

6. SIZES AND MODELS

7. TECHNICAL FEATURES AND DIMENSIONS

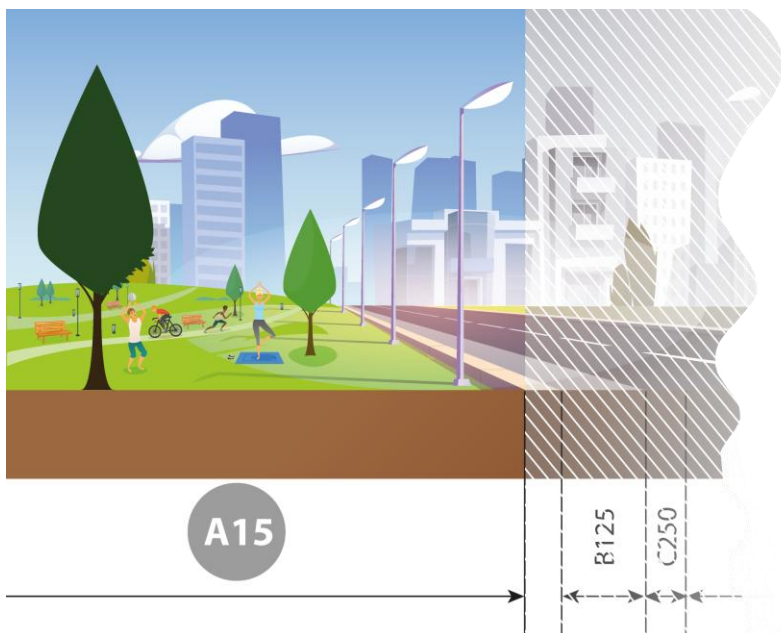
8. TECHNICAL SPECIFICATIONS

These specifications allow the appropriate product to be selected and included in public works tenders



1

UNI CERTIFICATE UNI EN 124-6 A15



CLASS	ZONE
A15	Breaking load kN 15. Pedestrian and cycling only zones. Surfaces similar to green areas.
B125	Breaking load kN 125. Footpaths - pedestrian zones occasionally open to traffic. Parking areas.
C250	Breaking load kN 250. Roadside borders extending up to a maximum of 0.5 m. Roadside verges and car parks for heavy vehicles.
D400	Breaking load kN 400. Traffic routes - provincial and national roads.

CERT valve boxes have thicker walls and are manufactured using foam molding technology and reinforced PP material. These features make it compliant with **UNI EN 124-6 A15**.

The European standard **UNI EN 124-6 A15** is applicable to crowning and closing devices made of polypropylene (PP), polyethylene (PE) or polyvinyl chloride (PVC-U) by means of a moulding or extrusion process, having an opening size of up to and including 1000 mm, for covering valve boxes, inspection points and inspection chambers to be installed in areas subject to pedestrian and/or vehicular traffic. It is applicable to locking and crowning devices used in areas that can only be used by pedestrians and cyclists (Class A15);



CERT 111



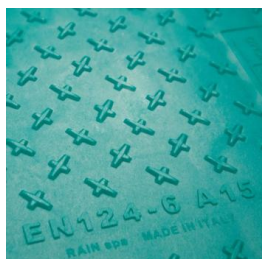
CERT 113



CERT 115



CERT 117



The **UNI-EN 124-6** standard is globally accepted and specifically required in specifications to protect the safety of consumers.

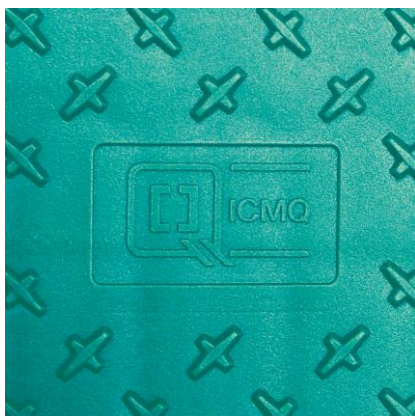
The valve boxes, as well as the lids, are a critical element as people and vehicles must pass over them.



2

VALVE BOXES CERTIFIED BY ICMQ INSTITUTE

Certification and Quality Mark Institute for Construction Products and Services



ICMQ Spa is the leading certification body in Italy for the building and construction sector. It issues certifications related to management systems for quality, environment, energy, prevention of corruption, safety and for BIM and construction products.

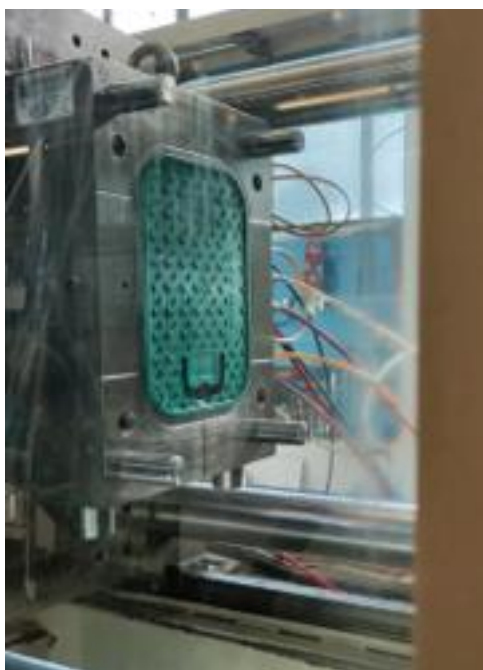
The ICMQ logo guarantees that each individual valve box complies with UNI EN 124-6.

Rain's decision, for quality control, to also certify the production process is an absolute guarantee for those who install these valve boxes.

The ICMQ therefore **vouches for every single unit manufactured** and periodically inspects Rain's production sites.

3

PRODUCTION PROCESS CERTIFIED BY ICMQ INSTITUTE



In order to maintain the declared quality standards for CERT valve boxes, the factory production control phases are documented and always kept up-to-date in accordance with the UNI EN124-6 standard.

The FPC system includes **procedures, regular inspections and tests and/or evaluations**, and also the use of the results for the control of raw materials and other incoming materials or components, equipment, the production process and the product.

In addition, Rain S.p.A. uses an **interconnected 4.0 system to guarantee high quality standards** across all its production activities and products.

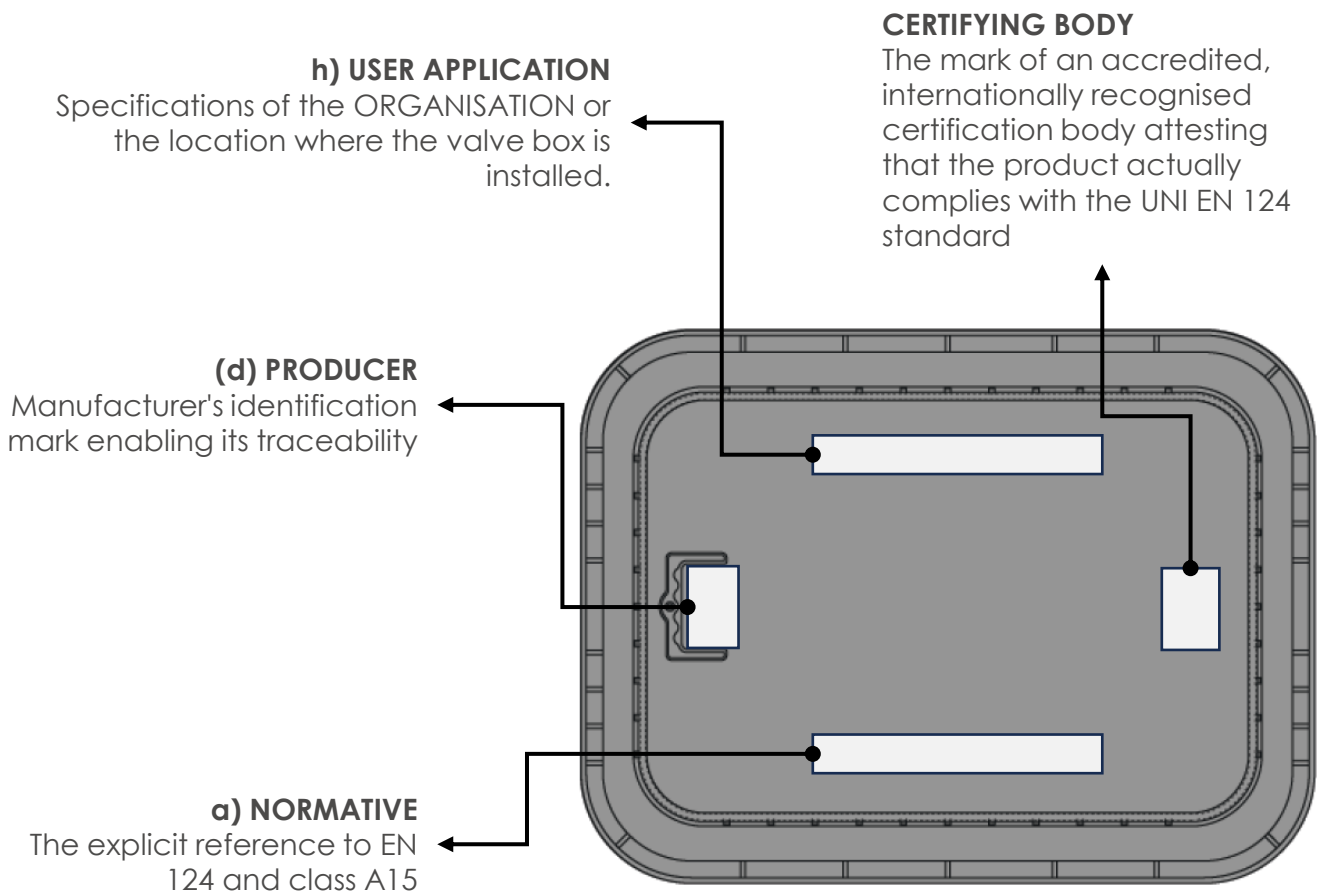
4 MARKINGS

The upper surface of the lid must have **mandatory markings** (in addition to any other optional markings). These markings, listed below, must necessarily be injection molded on the top surface of the lid and in such a way that they are clearly legible even when the valve box lid is in place.

- a) European standard number, UNI EN 124-6; *(upper side)*
- b) type of polymer (PVC-U, PP or PE); *(bottom side)*
- c) appropriate class (e.g. A15); *(top side)*
- d) name and/or identifying mark of the manufacturer; *(upper side)*
- e) manufacturing plant which may be coded; *(bottom side)*
- f) date or week and year of manufacture (coded or non-coded); *(bottom side)*
- g) snowflake symbol (*) when tested at -20°C; *(Not applicable)*

In addition, lids, grids and frames of roofing and crowning devices according to this European Standard can be marked with:

- h) additional markings relating to the intended application by the user; *(top side)*
- i) product identification (name and/or catalogue number). *(Not applicable)*





CERT VALVE BOX RANGE

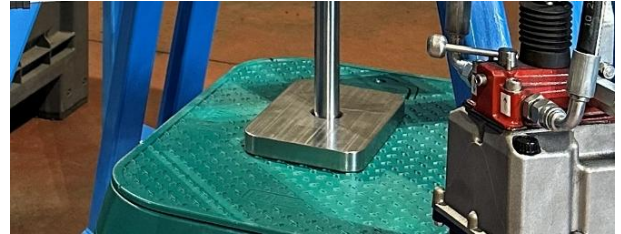
Valve Boxes EN 124-6 A15 certified



5 MAIN FEATURES

50% OVER THE REQUIRED LOAD TEST

Our CERT valve boxes pass the load test of the standard by withstanding more than 50% of the minimum load required by the standard **EN 124-6 A15**.



NON-SLIP LIDS

The friction coefficient of the outer surface of the valve box lid is met according to the design parameters of UNI EN 124-6. The non-slip surface of the lid ensures pedestrian safety.



WATER DRAINAGE

In order to ensure the proper evacuation of rainwater and waste water from the valve box lid, the regulations require that the surface of the lid is designed to channel water to drainage channels located on the outer edges of the valve box lid.



REINFORCED OPENING HANDLE

Rain's many patents also include the EZ-Open system for valve boxes, a very simple idea, but one that has simplified the quick and easy opening of valve box lids, thanks to the addition of a practical handle with an anti-vandal screw.



METAL BOLT SAFE LOCK

Undesired opening of the valve box is secured by a strong threaded bolt and nut integrated in the internal cavity of the valve box.

A special bolt head is available on request to prevent unauthorised persons from opening the box and accessing the interior compartment.



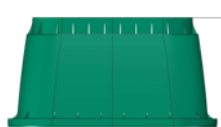
CABLE MANAGEMENT AND CONTROL UNIT HOLDER

The cable management holder supplied with Rain valve boxes helps the installer keep the inside of the valve box tidy and facilitate maintenance.

In addition, our valve boxes are equipped with a support for the installation of IP68 valve boxes controllers.



6 SIZES AND MODELS



	CERT 111 MINI	CERT 113 STANDARD	CERT 115 JUMBO	CERT 117 SUPER JUMBO
	210.3300111	210.3300113	210.3300115	210.3300117
LID DIMENSIONS	308x228 mm	419x292 mm	566x405 mm	607x396 mm
FRAME DIMENSIONS	400x319 mm	523x396 mm	658x496 mm	807x586 mm
VALVE BOX HEIGHT	216 mm	326 mm	326 mm	394 mm
VALVE BOX INTERNAL AREA	275x195 mm	356x230 mm	503x341 mm	560x328 mm
TOTAL WEIGHT	1.75 kg	4.90 kg	7.00 kg	11.50 kg
MAXIMUM LOAD	Over 50% of the force required by the standard UNI EN 124-6 A15	Over 50% of the force required by the standard UNI EN 124-6 A15	Over 50% of the force required by the standard UNI EN 124-6 A15	Over 50% of the force required by the standard UNI EN 124-6 A15



CERT 111

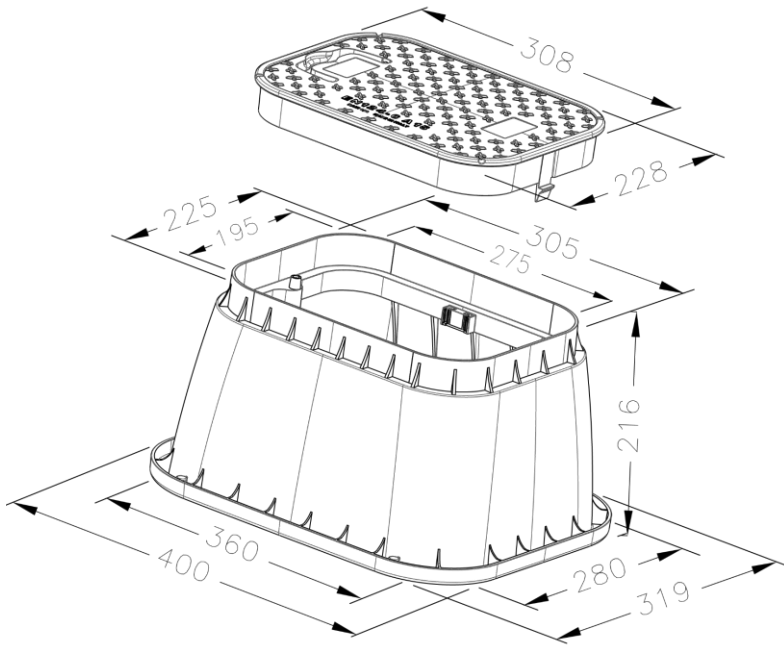
CERT 113

CERT 115

CERT 117

7 TECHNICAL FEATURES AND DIMENSIONS

EzOPEN PZRM CERT 111

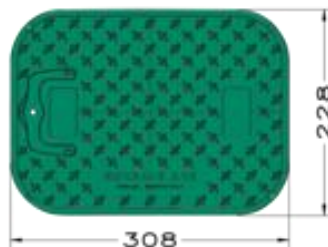
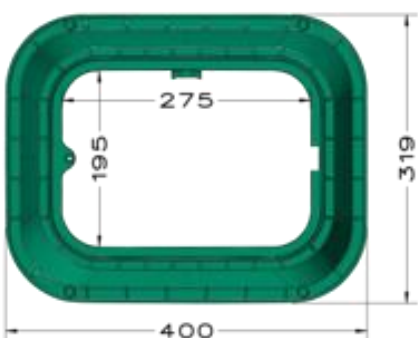


- Valve box type: rectangular
- Type of opening: with patented handle
- Locking type: with integrated nut and bolt [UNI EN 124-6].
- Production material: glass fibre reinforced polypropylene [UNI EN 124-6].
- Certification: UNI EN 124-6 A15
- Supported load: 15 kN [UNI EN 124-6].
- Cable management holder
- Rain IRRIGATION controllers holder

Code	Model	Type	Composition	Color	Height	Certification	Q.ty Pallet	Unit Weight
210.3300111	PZRM 111	Cert	Lid/Cover	Green Green	21.60 cm	UNI EN 124-6	250	1.75 kg



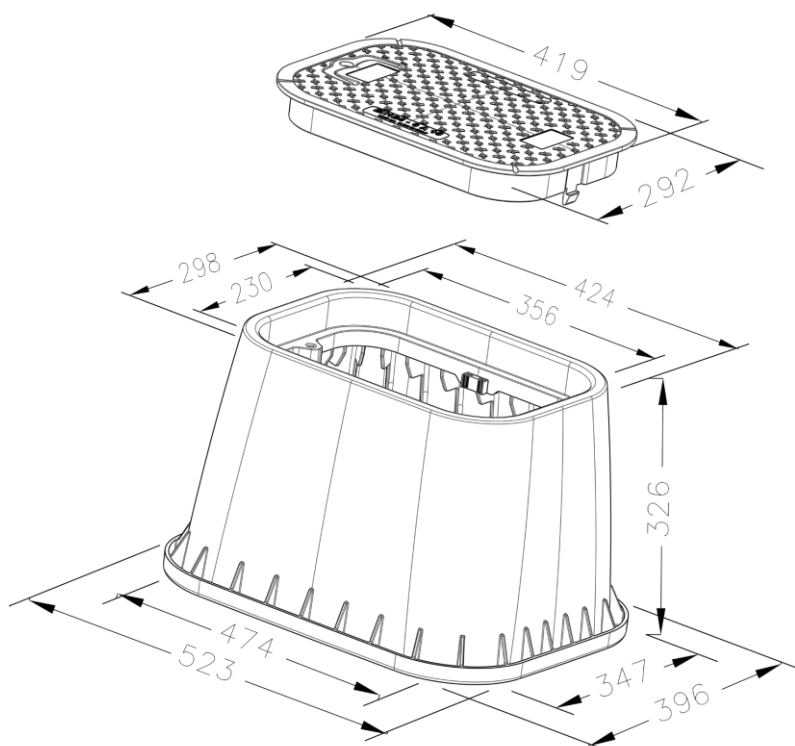
111 CERT



LID DIMENSIONS	308x228 mm
FRAME DIMENSIONS	400x319 mm
VALVE BOX HEIGHT	216 mm
VALVE BOX INTERNAL AREA	275x195 mm
TOTAL WEIGHT	1.75 kg

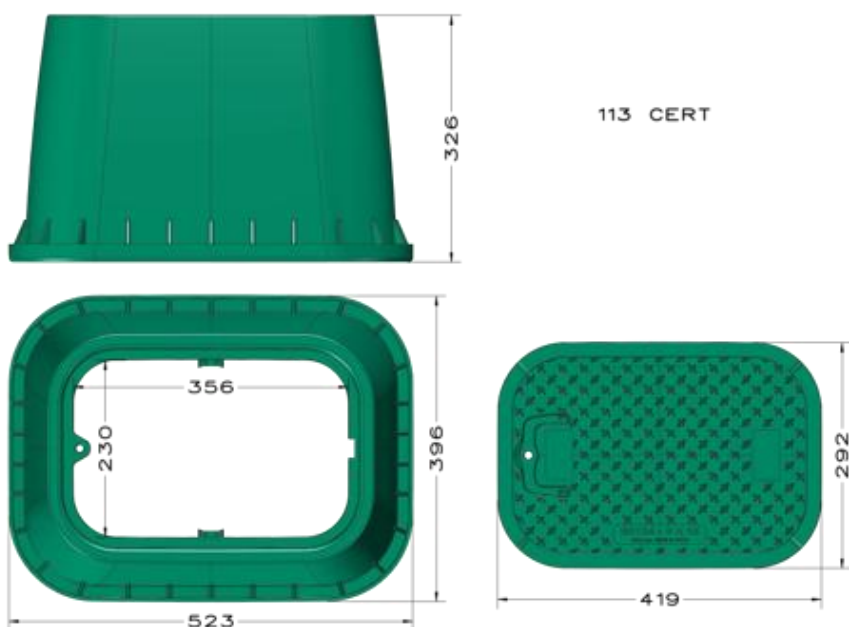
7 TECHNICAL FEATURES AND DIMENSIONS

EzOPEN PZRM CERT 113



- Valve box type: rectangular
- Type of opening: with patented handle
- Locking type: with integrated nut and bolt [UNI EN 124-6].
- Production material: glass fibre reinforced polypropylene [UNI EN 124-6].
- Certification: UNI EN 124-6 A15
- Supported load: 15 kN [UNI EN 124-6].
- Cable management holder
- Rain IRRIGATION controllers holder

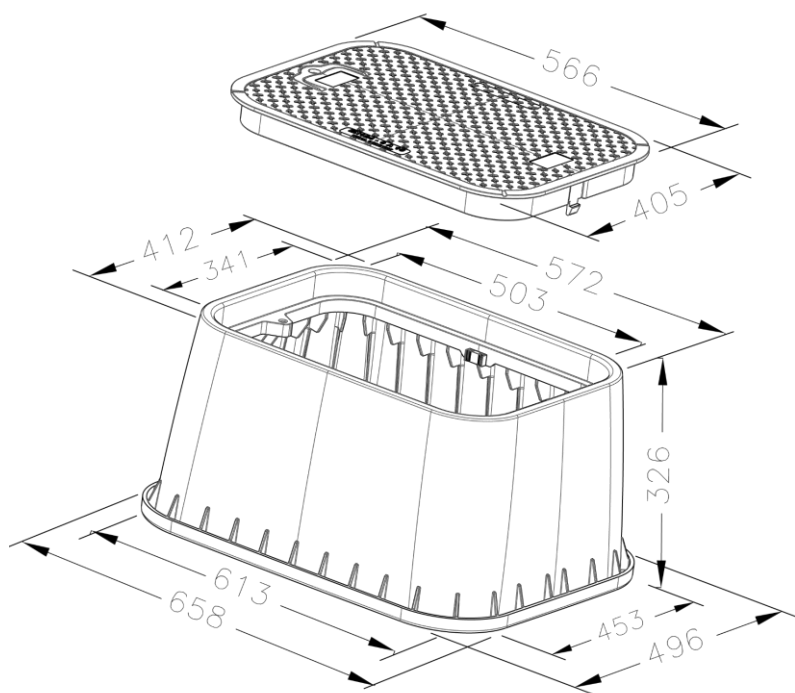
Code	Model	Type	Composition	Color	Height	Certification	Q.ty Pallet	Unit Weight
210.3300113	PZRM 113	Cert	Lid/Cover	Green Green	32.60 cm	UNI EN 124-6	114	4.90 kg



LID DIMENSIONS	419x292 mm
FRAME DIMENSIONS	523x396 mm
VALVE BOX HEIGHT	326 mm
VALVE BOX INTERNAL AREA	356x230 mm
TOTAL WEIGHT	4.90 kg

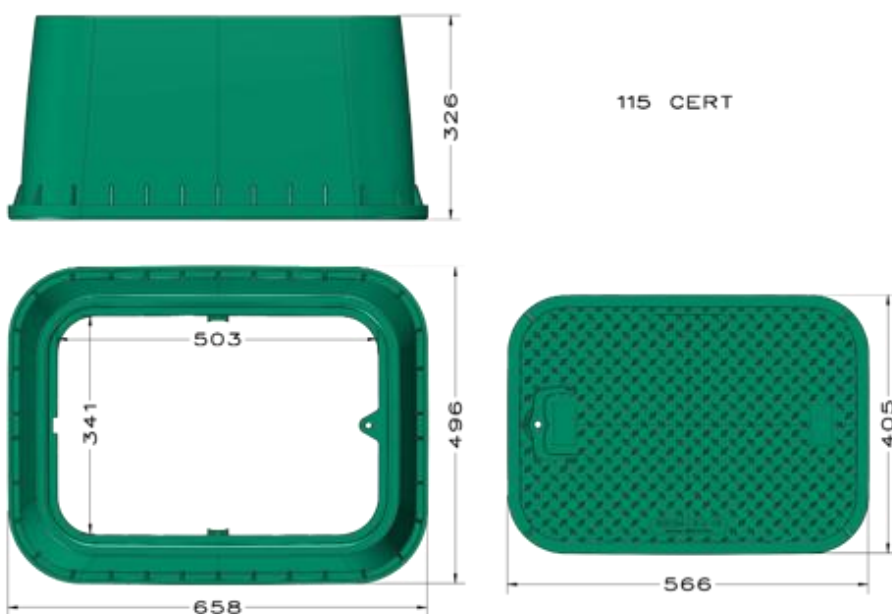
7 TECHNICAL FEATURES AND DIMENSIONS

EzOPEN PZRM CERT 115



- Valve box type: rectangular
- Type of opening: with patented handle
- Locking type: with integrated nut and bolt [UNI EN 124-6].
- Production material: glass fibre reinforced polypropylene [UNI EN 124-6].
- Certification: UNI EN 124-6 A15
- Supported load: 15 kN [UNI EN 124-6].
- Cable management holder
- Rain IRRIGATION controllers holder

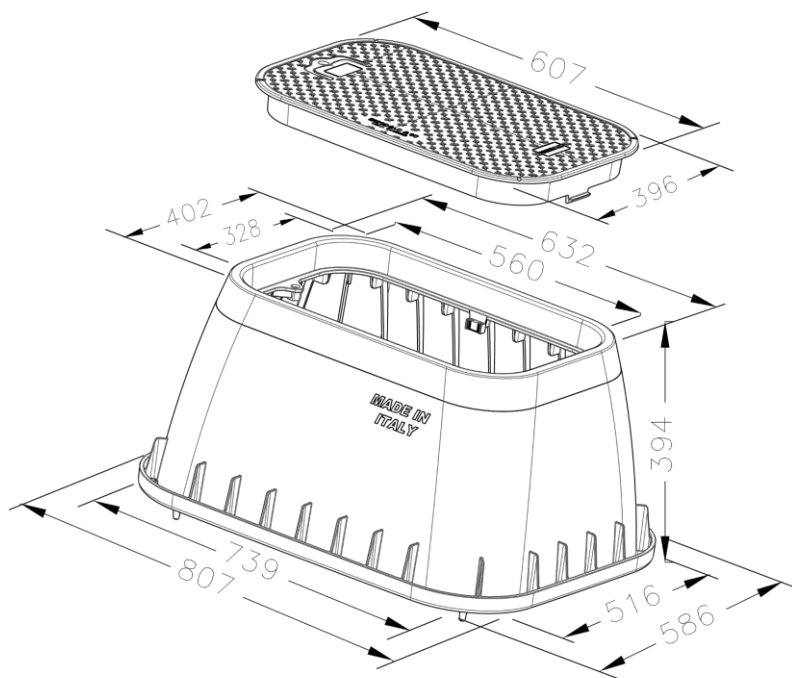
Code	Model	Type	Composition	Color	Height	Certification	Q.ty Pallet	Unit Weight
210.3300115	PZRM 115	Cert	Lid/Cover	Green Green	32.60 cm	UNI EN 124-6	68	7.0 kg



LID DIMENSIONS	566x405 mm
FRAME DIMENSIONS	658x496 mm
VALVE BOX HEIGHT	326 mm
VALVE BOX INTERNAL AREA	503x341 mm
TOTAL WEIGHT	7.00 kg

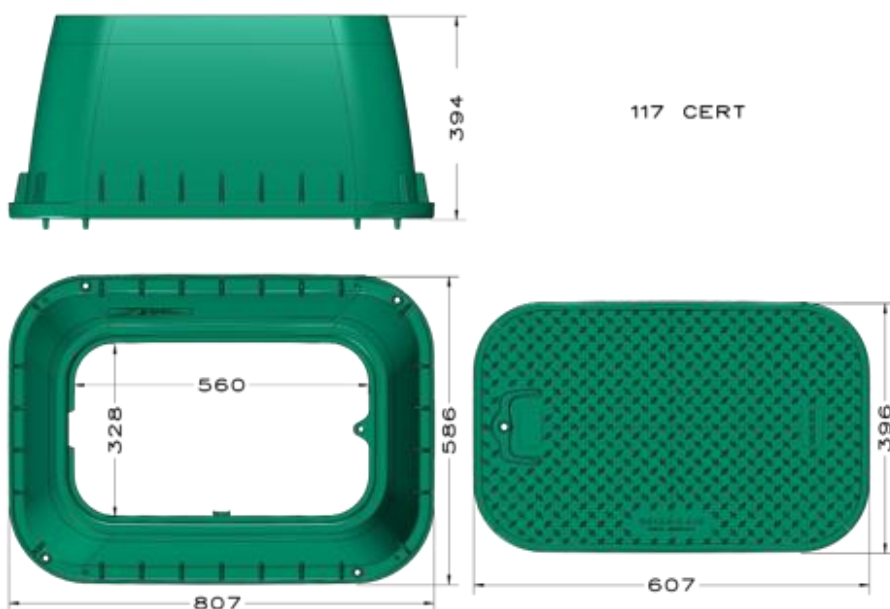
7 TECHNICAL FEATURES AND DIMENSIONS

EzOPEN PZRM CERT 117



- Valve box type: rectangular
- Type of opening: with patented handle
- Locking type: with integrated nut and bolt [UNI EN 124-6].
- Production material: glass fibre reinforced polypropylene [UNI EN 124-6].
- Certification: UNI EN 124-6 A15
- Supported load: 15 kN [UNI EN 124-6].
- Cable management holder
- Rain IRRIGATION controllers holder

Code	Model	Type	Composition	Color	Height	Certification	Q.ty Pallet	Unit Weight
210.3300117	PZRM 117	Cert	Lid/Cover	Green Green	39.40 cm	UNI EN 124-6	40	11.5 kg



LID DIMENSIONS	607x396 mm
FRAME DIMENSIONS	807x586 mm
VALVE BOX HEIGHT	394 mm
VALVE BOX INTERNAL AREA	560x328 mm
TOTAL WEIGHT	11.50 kg

8

TECHNICAL SPECIFICATIONS*Specifications for public applications*

Articulated valve box lid, RAIN CERT type, made of rectangular **glass fibre reinforced polypropylene** complying with class A 15 of EN 124-6 (updated to the latest edition) and the quality certification regulation, with breaking load up to 15 kN.

Consisting of:

- Rectangular lid with non-slip embossed surface, articulated to the frame with a system that ensures automatic centring when closing, vandal-proof locking bolt and opening handle.
- Rectangular base frame fitted with controller holder and connector holder.

The device lid must bear the following markings made by injection, positioned so that they remain visible after installation:

- Reference standard (UNI-EN 124-6);
- Manufacturer's name or logo;
- Place of manufacture (can be a code registered with the product quality certification body);
- Product quality mark issued by an independent certification body. This product must be accompanied by the following technical documentation: report of mechanical tests (test load and residual deflection) performed on the device in accordance with Chapter 8 of EN 124;
- All documents must be chronologically compatible with the production of the supplied materials.

Dimensions:

Model 111

Lid size **30.8** cm x **22.8** cm

Frame **40.0** cm x **31.9** cm, height **21.6** cm and opening rectangular area **27.5** cm x **19.5** cm

Model 113

Lid size **41.9** cm x **29.2** cm

Frame **52.3** cm x **39.6** cm, height **32.6** cm and opening rectangular area **35.6** cm x **23.0** cm

Model 115

Lid size **56.6** cm x **40.5** cm

Frame **65.8** cm x **49.6** cm, height **32.6** cm and opening rectangular area **50.3** cm x **34.1** cm

Model 117

Lid size **60.7** cm x **39.6** cm

Frame **80.7** cm x **58.6** cm, height **39.4** cm and opening rectangular area **56.0** cm x **32.8** cm



CERTIFICAZIONE DI PRODOTTO

PRODUCT CERTIFICATION

CERTIFICATO N°

CERTIFICATE N°

P 00938

AZIENDA

COMPANY

RAIN S.p.A.

Via Kennedy, 38/40 – 20023 Cerro Maggiore (MI)

UNITA' PRODUTTIVA

PRODUCTION UNIT

BG - CM

OGGETTO DEL CERTIFICATO

SCOPE OF THE CERTIFICATE

DISPOSITIVI DI CORONAMENTO E CHIUSURA PER ZONE DI CIRCOLAZIONE UTILIZZATE DA PEDONI E DA VEICOLI
Gully tops and manhole tops for vehicular and pedestrian areas

NORME DI RIFERIMENTO

REFERENCE STANDARDS

EN 124-1:2015, EN 124-6:2015

SISTEMA DI CERTIFICAZIONE

CERTIFICATION SYSTEM

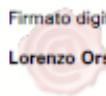
Condizioni Generali di Contratto per la Certificazione di prodotto – CP DOC 229
General Agreement Conditions for the product certification - CP DOC 229

Regolamento particolare per dispositivi di coronamento e chiusura - CP DOC 243
Particular rules for gully tops and manhole tops – CP DOC 243

Indicazioni per l'applicazione della serie EN 124:2015 - UNI/TR 11671:2017
Instructions for the application of the EN 124:2015 – UNI/TR 11671:2017

Firmato digitalmente da

Lorenzo Orsenigo



PRODOTTI

PRODUCTS

L'elenco dei prodotti oggetto della certificazione è allegato al presente certificato

The list of the certified products is annexed to this certificate



N°0011 PRD

Member degli Accordi di Mutuo Riconoscimento EA, IAF e ILAC
 Signatory of EA, IAF and ILAC Mutual Recognition Agreements

Prima Emissione

First Issue

05/03/2025

Emissione corrente


Current Issue

05/03/2025

Scadenza

Expiry Date

31/12/2025


 IL PRESIDENTE E DIRETTORE GENERALE
 LORENZO ORSENIKO

1 of 2