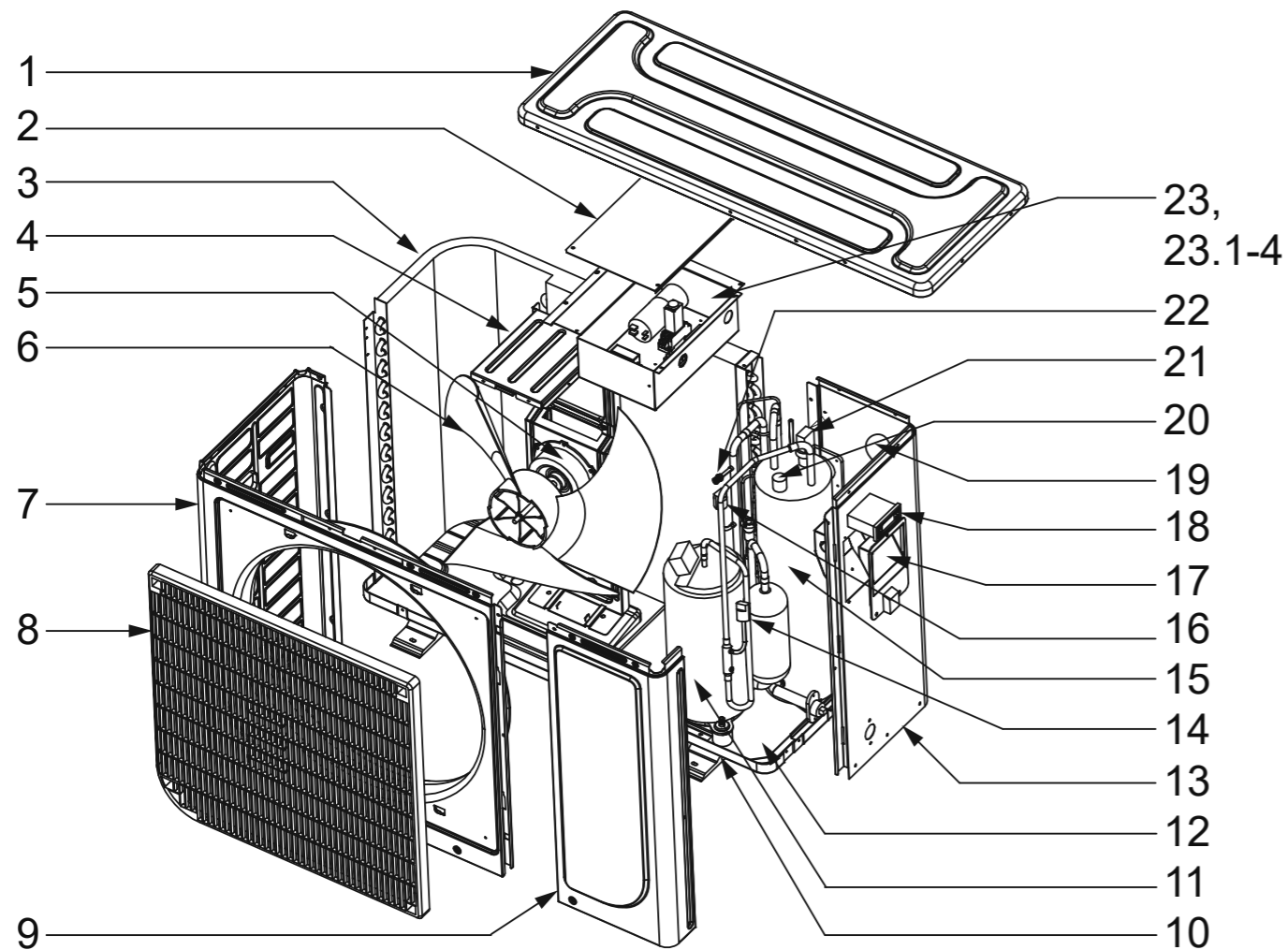


7024512 - HYDRO-S HEAT PUMP , TYPE A ON/OFF (TYPE A10/32)



7024512 - HYDRO-S HEAT PUMP , TYPE A ON/OFF (TYPE A10/32)

NR.	DESCRIPTION	PART NR.
1	Top cover	
2	Cover, E-box	
3	Evaporator	
4	Motor bracket	
5	Fan motor YDK60-6H	7024887
6	Fan blade 522mm×140mm	7024889
7	Front panel	
8	Grille	
9	Right panel, front	
10	Chassis	
11	Compressor (KSG196V1VKU)	
12	Fixing plate	
13	Right panel	
14	High pressure switch 3.6 – 4.2Mpa	7024793
15	Titanium heat-exchanger	
16	Low pressure switch 0.1 – 0.3Mpa	7024791
17	Handle	
18	LED display / PCB RC-112E (WJL)	7024894
19	Pressure gauge 0-65bar R32	7025310
20	water outlet temp sensor	
21	Water flow switch	7006471
22	Needle valve	
23	PC board/ E-box ass. 803301000232	7024893
23.1	Condensator 55µF type round	7024891
23.2	Condensator 3,5µF type square plugged	7024890
23.3	Contactora	
23.4	Water in temperature sensor	
	Temperature sensor	7011007
	Repair kit for Heat pump Hydro-S Type A (temperature switch, thermal conductive paste, wire connectors)	7027177