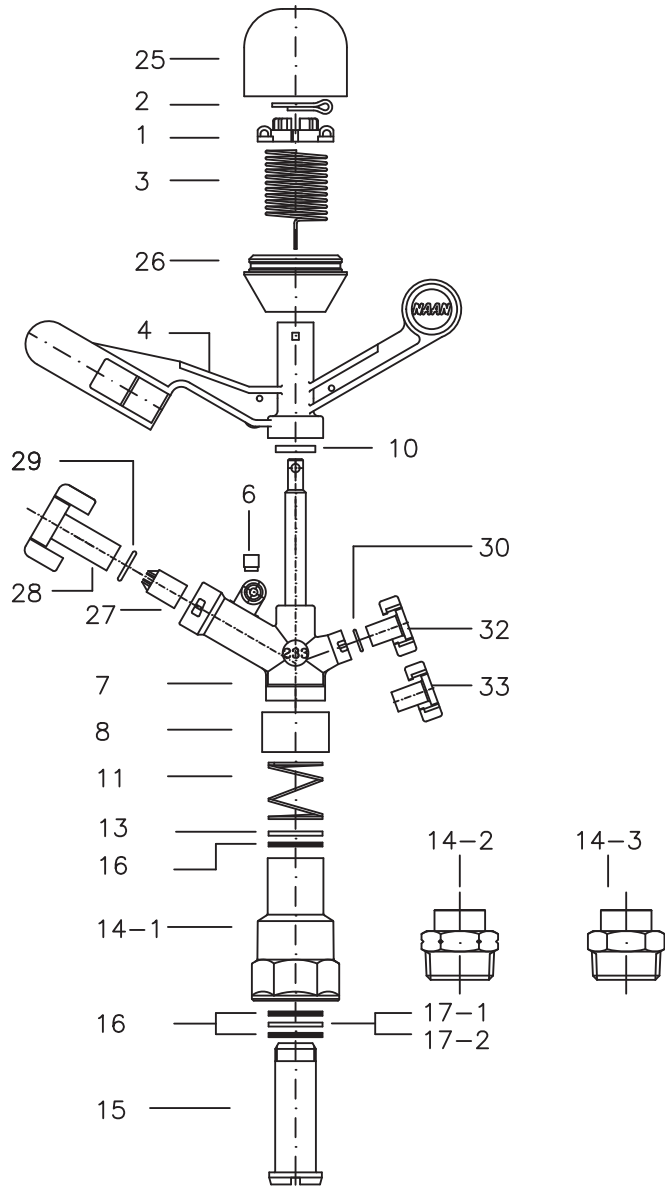


# NAANDAN SPRINKLER 233-B



PART No.	CAT. No.	PART NAME	WIGHT	PART No.	CAT. No.	PART NAME	WIGHT
1	441100	Crown	1.9	25	442100	Cap	6.52
2	495201	Split pin	1.15	26	442301	Cap base	6.27
3	332611	Drive spring, stainless steel	5.0	27	491001	vane	0.38
4	391813	Hammer	129.0	28	585352	Main nozzle 3.5 mm blue	5.95
6	491701	Bumper	0.18	28	585402	Main nozzle 4.0 mm black	5.95
7	321903	Body with bumper	108.5	28	585452	Main nozzle 4.5 mm brown	5.95
8	441801	Sleeve	1.9	28	585502	Main nozzle 5.0 mm purple	5.95
10	471101	Washer. PE under hammer	0.32	28	585552	Main nozzle 5.5 mm orange	5.95
11	334501	Thrust spring, stainless steel	3.83	28	585602	Main nozzle 6.0 mm red	5.95
13	472301	Washer. PE for thrust spring	0.2	28	585652	Main nozzle 6.5 mm grey	5.95
14-1	343402	connector base, female 3/4" BSP	110.4	29	475211	O-ring for main nozzle	0.08
14-2	343801	connector base, male 3/4" BSP	60.0	30	475201	O-ring for small nozzle	0.02
14-3	343701	connector base, male 3/4" NPT	60.0	32	583251	Nozzle 2.5 mm, slotted	1.45
15	352501	Connector tube	45.75	32	583321	Nozzle 3.2 mm, orange	1.45
16	472601	Sealing washer. NBR	0.33	33	582001	Plug black	1.45
17-1	472201	Sealing washer, teflon for small nozzle 3.5	0.2				
17-2	472311	Sealing washer. grey teflon for nozzle 4.0 and up.	0.2				