

IN-LINE FILTER
7024320

Technical Drawing

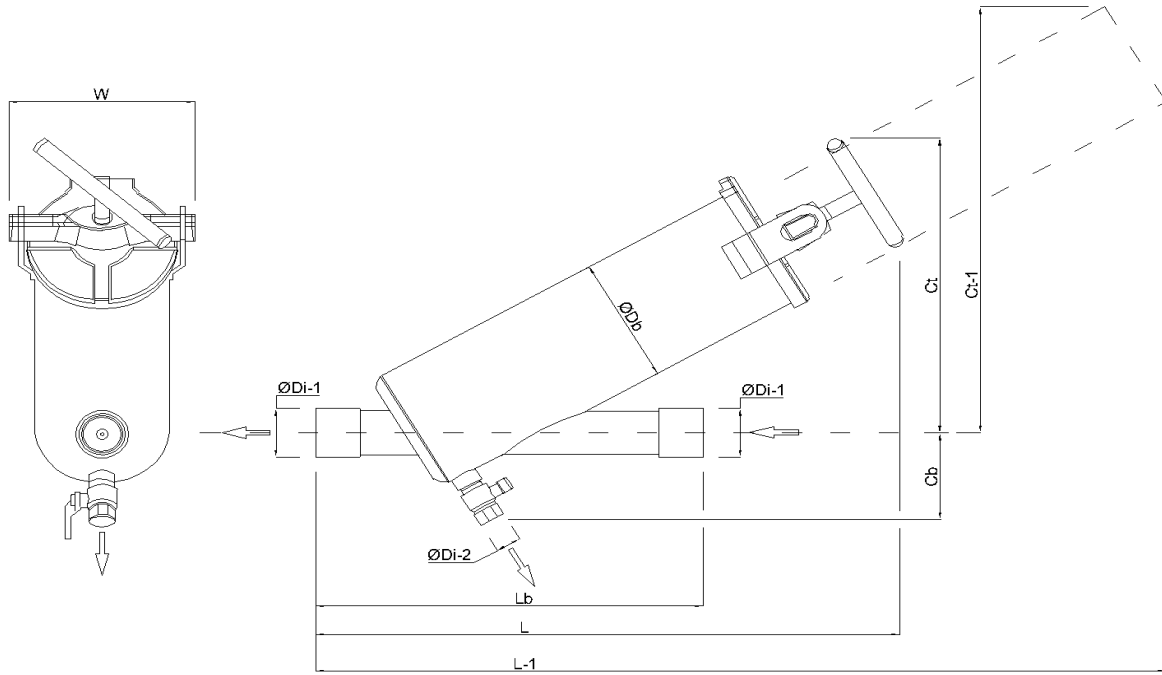


Table of size in (mm)

Model	L	L-1	Lb	W	Cb	Ct	Ct-1	Db	Di-1	Di-2	Max. Recom. Flow Rate (m ³ /h)	Weight Package (kg)	Volumen Package LxWxH (m)
7024320	720	1055	480	230	117	405	583	6"	2"	3/4"	30	22.8	0.67×0.55×0.28