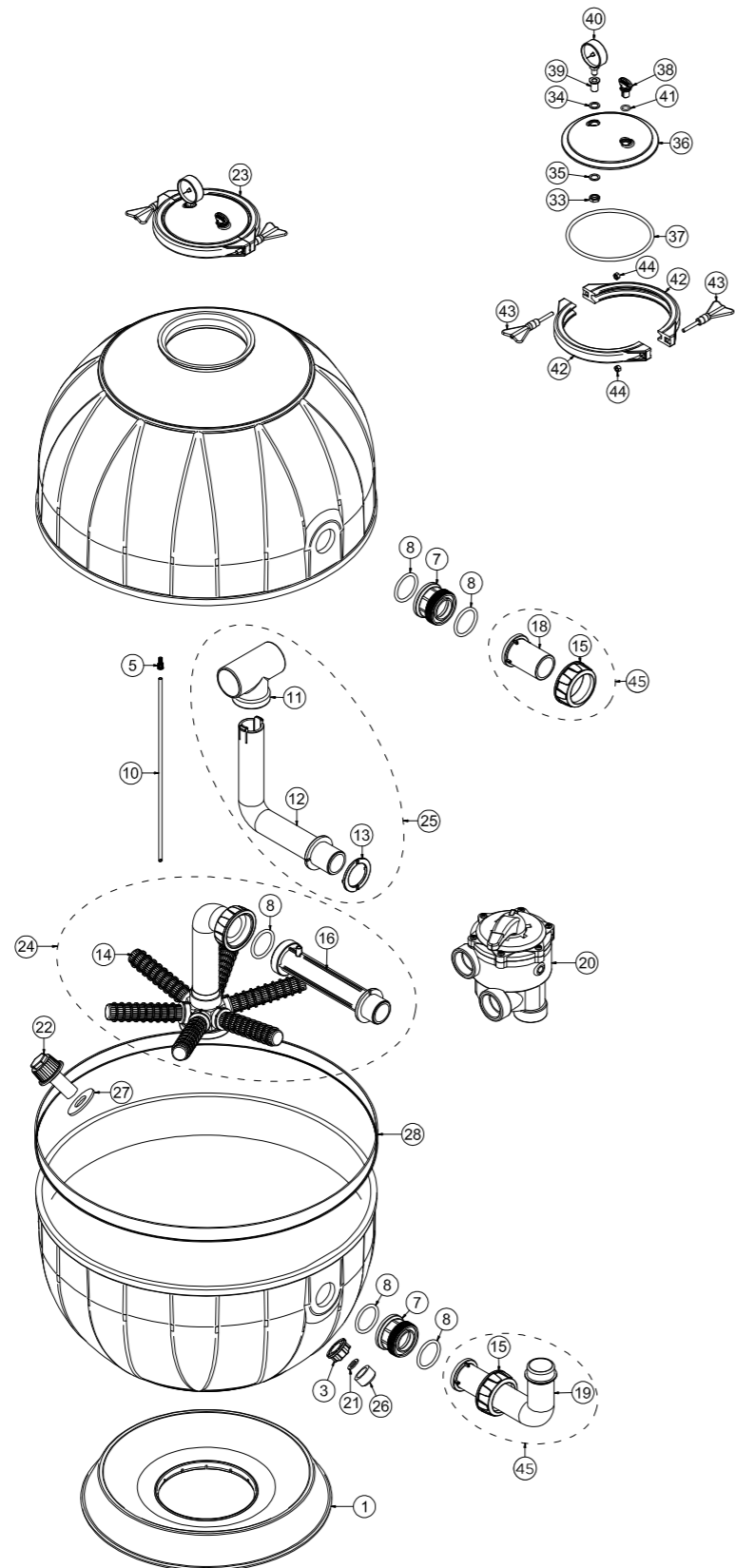


7024551 - NORSUP FILTER TYPE S, T



7024551 - NORSUP FILTER TYPE S, T

| NR. | DESCRIPTION | PART NR. |
|-----|--|----------|
| 1 | Base Norsup sandfilter type 450, 530, 620 | 7027915 |
| 3 | Bulkhead nut 3/4" PP | 0100565 |
| 5 | Frissures air dissage | 7027917 |
| 7 | Connection In-Out 2"1/4 ØExt.65 ABS black | |
| 8 | O-ring - REF. 6187 - NBR | |
| 10 | Pipe PVC black 4 X 6 H.530mm | 7027918 |
| 11 | T connection DN50 with guide pipe air discharge | 7027919 |
| 12a | Elbow curve inside DN50 with hooks M1 1/2" ABS black | 7027920 |
| 13 | Ring spacer for elbow curves | |
| 14 | Lateral 143mm bayonet (6 per filter) | 7027923 |
| 15 | Ring PPFV black DN50 2"1/4 | |
| 16a | Group pipe pressed L 170 mm | 7027925 |
| 18 | Sleeve ABS black with batting DN50M long | |
| 19 | Elbow curve external DN50 ABS black | |
| 20 | Multiport valve 1 1/2" side mount ABS black | 7025548 |
| 21 | Flat seal gasket 3/4 for savewasher head | |
| 22 | Outlet nozzle D.3/4"G | 7027928 |
| 23 | Transparant lid kit with clamps | 7027929 |
| 24a | Kit lower pipes | 7027931 |
| 25a | Kit upper pipes | 7027935 |
| 26 | Plug 3/4"F - PP - black | |
| 27 | Flat seal gasket rubber 62X27X4 | |
| 28 | Black bumper thermoplastic rubber (25x1415) | |
| 33 | Brass ring DE120 1/4" | |
| 34 | Flat washer D. 13 x 19 x 1,5 - in joint "Idrotherm" | |
| 35 | Flat washer D. 13 x 19 x 1 - Inox 304 | |
| 36 | Transparant lid | |
| 37 | O-ring lid 148 x 6 - NBR | 7027939 |
| 38 | Air release valve | |
| 39 | Fitting for manometer 1/4-1/8 nickle plated | |
| 40 | Manometer D.50 0 -4bar 1/8" bottom connection ABS | 0840241 |
| 41 | O-ring - REF. 115 - NBR | |
| 42 | Semi-Clamp for transparante lid | |
| 43 | Screw M6 butterfly | |
| 44 | Nut M6 | |
| 45 | Valve connection kit 50mm | 7027940 |