



BIBCOCKS

134 Ball hose bibcock

Available sizes: 3/8"x3/4", 1/2"x3/4", 3/4"x1", 1"x1"1/4



SIZE	PRESSURE	CODE	PACKING
3/8" (DN 10)	15bar/217.5psi	1340038	10/130
1/2" (DN 15)	15bar/217.5psi	1340012	10/130
3/4" (DN 20)	15bar/217.5psi	1340034	6/78
1" (DN 25)	12bar/174psi	1340100	6/42

CERTIFICATIONS



TECHNICAL SPECIFICATIONS

Body in nickel-plated brass.

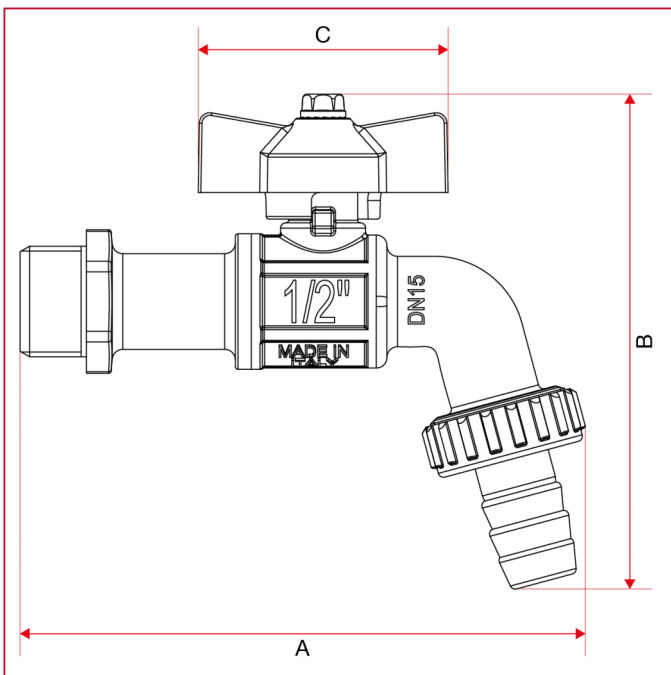
Hose connection in brass.

Lever handle in steel or flat lever handle in lined steel or T handle in aluminium.

Minimum and maximum working temperatures: -20°C, 80°C.

Threads: ISO 228 (equivalent to DIN EN ISO 228 and BS EN ISO 228).

OVERALL DIMENSIONS





BIBCOCKS

	3/8"	1/2"	3/4"	1"
DN	10	15	20	25
A	104	106	117	138
B	93	93	104	121
C	47	47	54	62
Kg/cm ² bar	15	15	15	12
LBS - psi	217,5	217,5	217,5	174