



ACCESSORIES FOR MANIFOLDS

494 Male end cap with o-ring



SIZE	PRESSURE	CODE	PACKING
3/8"	10bar/145psi	4940038	50/1100
1/2"	10bar/145psi	4940012	40/720
3/4"	10bar/145psi	4940034	26/598
1"	10bar/145psi	4940100	16/384
1"1/4	10bar/145psi	4940114	12/264

CERTIFICATIONS



TECHNICAL SPECIFICATIONS

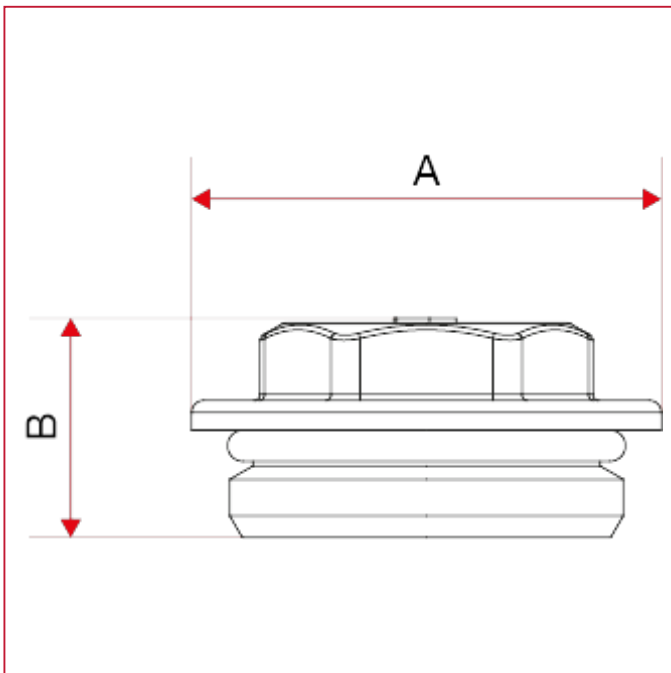
Body in nickel-plated brass.

O-ring in EPDM.

Maximum working temperature: 110°C.

Threads: ISO 228 (equivalent to DIN EN ISO 228 and BS EN ISO 228).

OVERALL DIMENSIONS



	3/8"	1/2"	3/4"	1"	1"1/4
A	24	26	33	39,5	48
B	13	14,5	17	18	22,5
Kg/cm ² bar	10	10	10	10	10
LBS - psi	145	145	145	145	145