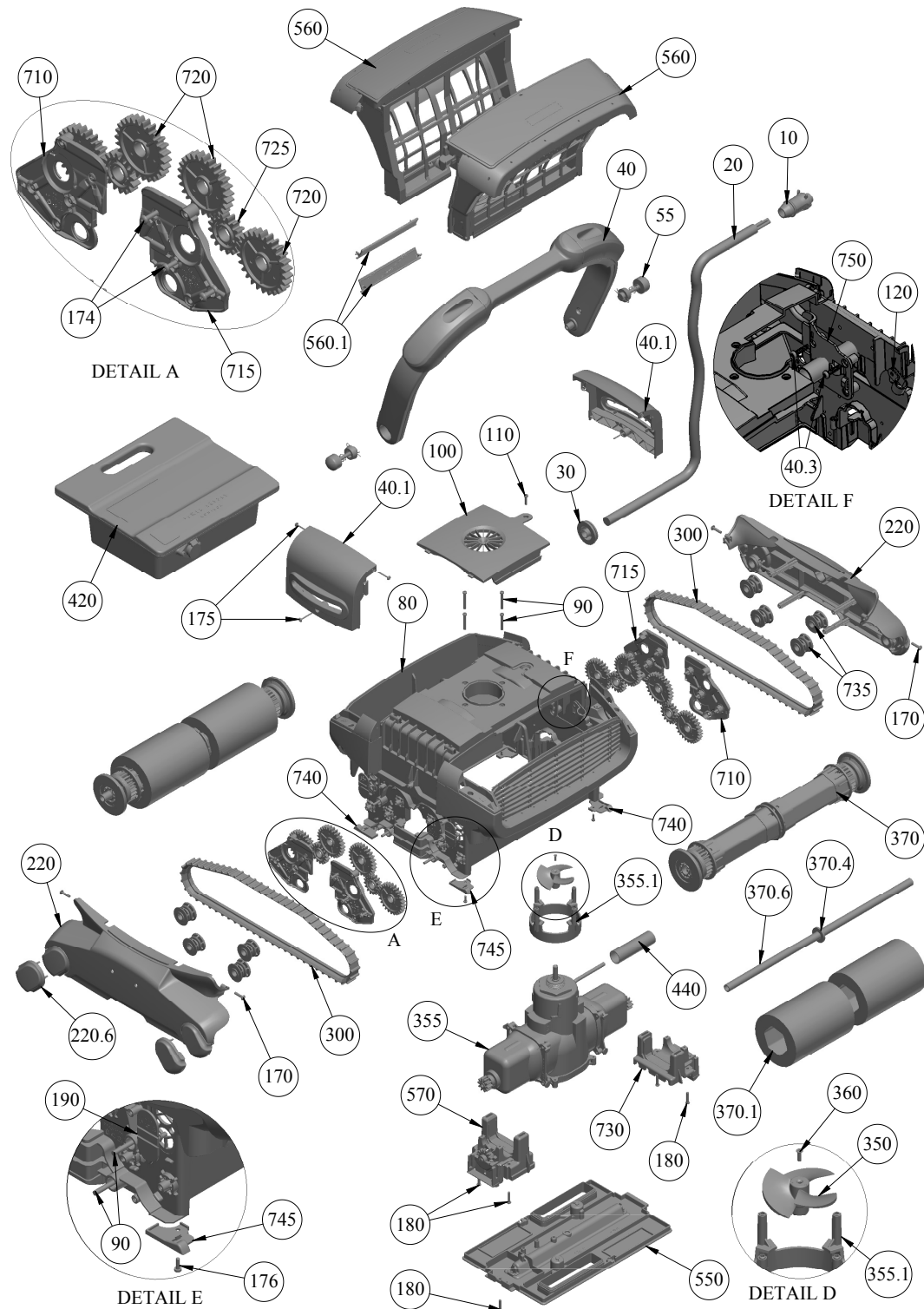


7027049 - NORSUP ROBOT POOL CLEANER, TYPE CYCLONE X4



7027049 - NORSUP ROBOT POOL CLEANER, TYPE CYCLONE X4

NR.	DESCRIPTION	QTY	PART NR.
10	4 Pin plug	1	7009684
20	Float cable assy	1	7026743
30	Sealing grommet	1	
40	Handle assy	1	7026734
40.1	Floating handle base	2	
40.3	Screw ejot pt ka 50x20	2	
55	Pin assy for handle	2	
80	Body assy	1	
90	Screw #8x1.175 Ph pn	12	
100	Pump outlet cover	1	7026735
110	Screw 6-32x5\8 s\8 s ph pa	1	
120	P-clip 1\2	1	
170	Screw #8x11\16 phil.	4	
174	Screw ejot pt ka 40x14 wn1412	12	
175	Screw ejot pt ka40x25	6	
176	Screw ejot pt kb30x10	4	
180	Screw #8x11\16 phil pn	5	
190	Water outlet flap	4	
220	Side plate assy	2	
220.6	Bumper	4	
300	Track belt 65 shore	2	
350	Propeller	1	7026744
355	Motor du/clm/pva/rc/v81	1	7026745
355.1	Pump fixture for breezer	1	
360	Screw m3x10 phil din-965	1	
370.1	Wheel tube assy	4	7026746
370	Pva brush	2	7026747
370.4	Delrin washer	2	
370.6	Axle 413 mm	2	
420	Power supply sps with bluetooth	1	7026748
440	Shrink 1614 cut to 80mm	1	
550	Bottom lid assy	1	7026749
560	Filter top assy	2	7026750
560.1	Filter bottom flap	2	
570	Vb assy for breezer	1	
710	Left side plate bushing	2	
715	Right side plate bushing	2	
720	Side cogwheel big	8	
725	Side cogwheel small	4	
730	Omega bridge	1	
735	Track belt roller	8	7026751
740	Bottom protector right	2	
745	Bottom protector left	2	
750	Cable holder breezer	1	
Not shown	Master floater	1	
Not shown	Sealant butyl mastic xw3000100	2	
Not shown	Connector 4 pin female	1	