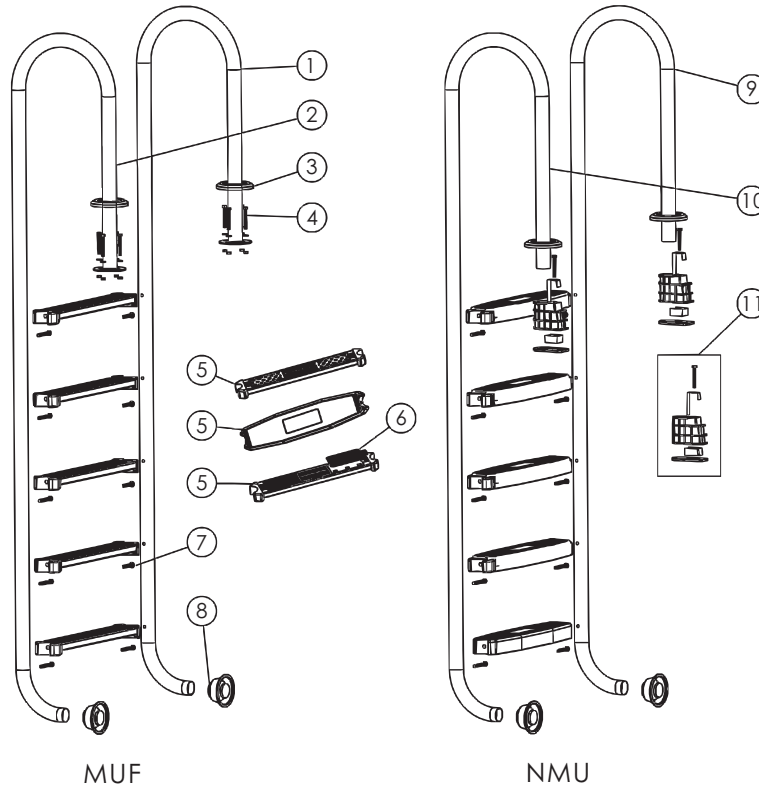




**MU SERIES LADDER INSTALLATION FOR CONCRETE/WOODEN/FIBERGLASS POOLS**



Item Nr	Model Nr	Product discription
7026911	NMU315-SR (304)	Mega pool ladder small model 3 steps SS 304 Anchor Type
7026912	NMU415-SR (304)	Mega pool ladder small model 4 steps SS 304 Anchor Type
7026913	NMU515-SR (304)	Mega pool ladder small model 5 steps SS 304 Anchor Type
7026914	MUF315-SR (304)	Mega pool ladder small model 3 steps SS 304 Flange Type
7026915	MUF415-SR (304)	Mega pool ladder small model 4 steps SS 304 Flange Type
7026916	MUF515-SR (304)	Mega pool ladder small model 5 steps SS 304 Flange Type
7026917	NMU315-SR (316)	Mega pool ladder small model 3 steps SS 316 Anchor Type
7026918	NMU415-SR (316)	Mega pool ladder small model 4 steps SS 316 Anchor Type
7026919	NMU515-SR (316)	Mega pool ladder small model 5 steps SS 316 Anchor Type
7026920	MUF315-SR (316)	Mega pool ladder small model 3 steps SS 316 Flange Type
7026921	MUF415-SR (316)	Mega pool ladder small model 4 steps SS 316 Flange Type
7026922	MUF515-SR (316)	Mega pool ladder small model 5 steps SS 316 Flange Type



## MU SERIES LADDER INSTALLATION FOR CONCRETE/WOODEN/FIBERGLASS POOLS

Item	Part No.	Description	Qty	Item	Part No.	Description	Qty
1	03016137	Ladders Left Hand-Side (AISI304) for MUF215 (Flange)	1	5*	89070108	Ladders Stainless Steel Step (AISI304) with Anti-Slippery Pad	*
1	03016138	Ladders Left Hand-Side (AISI304) for MUF315 (Flange)	1	6	02141006	Anti-Slippery Pad	*
1	03016139	Ladders Left Hand-Side (AISI304) for MUF415 (Flange)	1	7	89070103	M8*35 Screw with Washer for Step (AISI304)	*
1	03016140	Ladders Left Hand-Side (AISI304) for MUF515 (Flange)	1	7	89070106	M8*35 Screw with Washer for Step (AISI316)	*
1	03016204	Ladders Left Hand-Side (AISI316) for MUF215 (Flange)	1	8	89070104	Cap	2
1	03016205	Ladders Left Hand-Side (AISI316) for MUF315 (Flange)	1	9	03016085	Ladders Left Hand-Side (AISI304) for NMU215	1
1	03016206	Ladders Left Hand-Side (AISI316) for MUF415 (Flange)	1	9	03016086	Ladders Left Hand-Side (AISI304) for NMU315	1
1	03016207	Ladders Left Hand-Side (AISI316) for MUF515 (Flange)	1	9	03016087	Ladders Left Hand-Side (AISI304) for NMU415	1
2	03016141	Ladders Right Hand-Side (AISI304) for MUF215 (Flange)	1	9	03016088	Ladders Left Hand-Side (AISI304) for NMU515	1
2	03016142	Ladders Right Hand-Side (AISI304) for MUF315 (Flange)	1	9	03016172	Ladders Left Hand-Side (AISI316) for NMU215	1
2	03016143	Ladders Right Hand-Side (AISI304) for MUF415 (Flange)	1	9	03016173	Ladders Left Hand-Side (AISI316) for NMU315	1
2	03016144	Ladders Right Hand-Side (AISI304) for MUF515 (Flange)	1	9	03016174	Ladders Left Hand-Side (AISI316) for NMU415	1
2	03016208	Ladders Right Hand-Side (AISI316) for MUF215 (Flange)	1	9	03016175	Ladders Left Hand-Side (AISI316) for NMU515	1
2	03016209	Ladders Right Hand-Side (AISI316) for MUF315 (Flange)	1	10	03016089	Ladders Right Hand-Side (AISI304) for NMU215	1
2	03016210	Ladders Right Hand-Side (AISI316) for MUF415 (Flange)	1	10	03016090	Ladders Right Hand-Side (AISI304) for NMU315	1
2	03016211	Ladders Right Hand-Side (AISI316) for MUF515 (Flange)	1	10	03016091	Ladders Right Hand-Side (AISI304) for NMU415	1
3	03016046	Cover	2	10	03016092	Ladders Right Hand-Side (AISI304) for NMU515	1
4	89071801	M8*50 Screw with Washer & Nut for Flange	8	10	03016176	Ladders Right Hand-Side (AISI316) for NMU215	1
5*	89070102	Ladders Stainless Steel Step (AISI304)	*	10	03016177	Ladders Right Hand-Side (AISI316) for NMU315	1
5*	89070105	Ladders Stainless Steel Step (AISI316)	*	10	03016178	Ladders Right Hand-Side (AISI316) for NMU415	1
5*	01051173	Ladders Plastic Step	*	10	03016179	Ladders Right Hand-Side (AISI316) for NMU515	1
5*	89070107	Ladders Stainless Steel Step (AISI316) with Anti-Slippery Pad	*	11	89070101	Anchor Type Fittings (Concrete Pool)	2

### Notes:

NMU&MUF 215-S need 2pcs of Ladder Stainless Steel step and 4pcs of M8\*35 Screw with Washer for Step (AISI304 or AISI316)

NMU&MUF 315-S need 3pcs of Ladder Stainless Steel step and 6pcs of M8\*35 Screw with Washer for Step (AISI304 or AISI316)

NMU&MUF 415-S need 4pcs of Ladder Stainless Steel step and 8pcs of M8\*35 Screw with Washer for Step (AISI304 or AISI316)

NMU&MUF 515-S need 5pcs of Ladder Stainless Steel step and 10pcs of M8\*35 Screw with Washer for Step (AISI304 or AISI316)

NMU&MUF 215-SR need 2pcs of Ladder Stainless Steel Step with Anti-Slippery Pad and 4pcs of Anti-Slippery Pad and 4pcs of M8\*35 Screw with Washer for Step (AISI304 or AISI316)

NUM&MUF 315-SR need 3pcs of Ladder Stainless Steel Step with Anti-Slippery Pad and 6pcs of Anti-Slippery Pad and 6pcs of M8\*35 Screw with Washer for Step (AISI304 or AISI316)

NUM&MUF 415-SR need 4pcs of Ladder Stainless Steel Step with Anti-Slippery Pad and 8pcs of Anti-Slippery Pad and 8pcs of M8\*35 Screw with Washer for Step (AISI304 or AISI316)

NUM&MUF 515-SR need 5pcs of Ladder Stainless Steel Step with Anti-Slippery Pad and 10pcs of Anti-Slippery Pad and 10pcs of M8\*35 Screw with Washer for Step (AISI304 or AISI316)

NUM&MUF 215-P need 2pcs of Ladder Plastic Step and 4pcs of M8\*35 Screw with Washer for Step (AISI304 or AISI316)

NUM&MUF 315-P need 3pcs of Ladder Plastic Step and 6pcs of M8\*35 Screw with Washer for Step (AISI304 or AISI316)

NUM&MUF 415-P need 4pcs of Ladder Plastic Step and 8pcs of M8\*35 Screw with Washer for Step (AISI304 or AISI316)

NUM&MUF 515-P need 5pcs of Ladder Plastic Step and 10pcs of M8\*35 Screw with Washer for Step (AISI304 or AISI316)