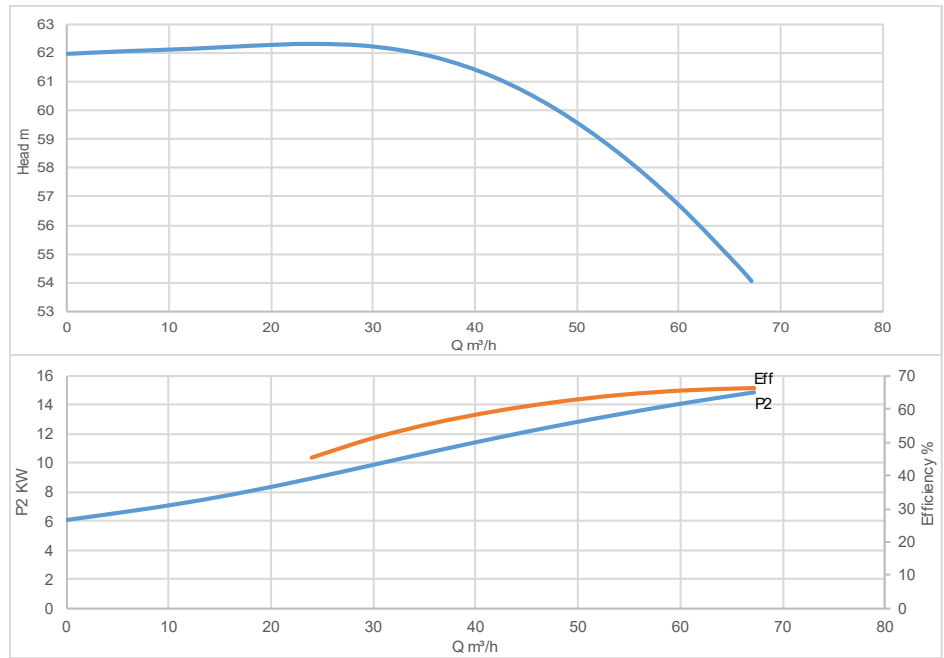


# Rovatti Centrifugal pump, type T



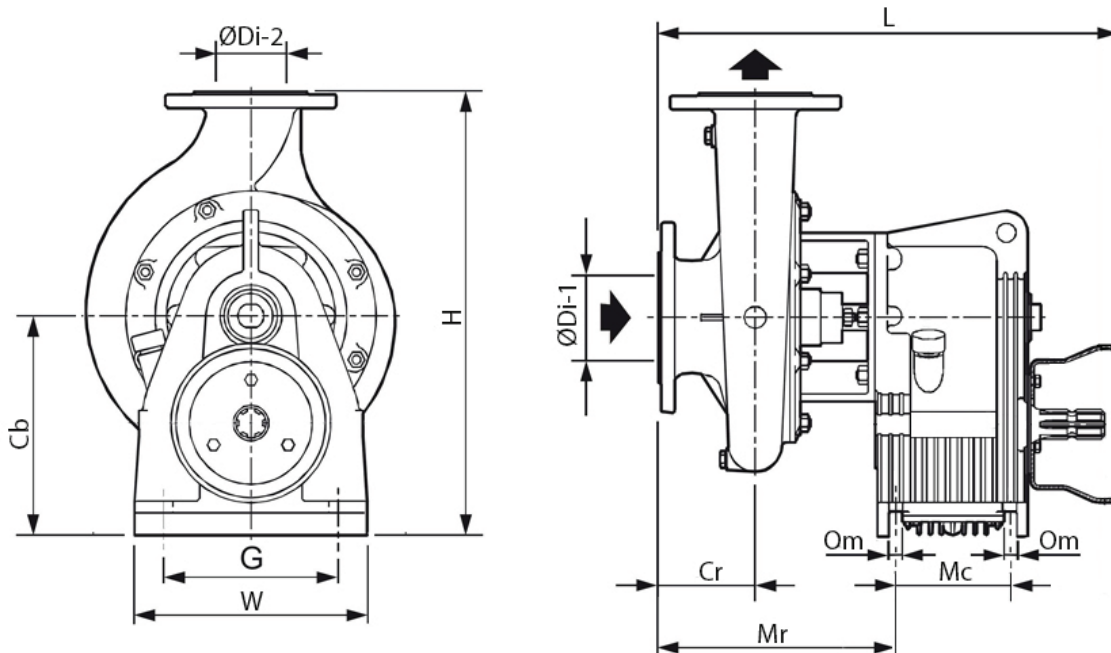
**Performance Curve**

## Pump data

Pump Model	P2		Connections		Full Load Current (A)	Rated Voltage (V)
	HP	kW	Di-1	Di-2		
7024355			65	50		

Q (m³/h)	0	6	12	18	24	30	36	42	48	54	60	66	67
H (m)	62	62	62	62	62	62	62	61	60	58.5	56.5	54.5	54

## Pump Diagram



Model	L	W	H	Cb	Mr	Mc	Cr	Om	G	Di-1	Di-2
7024355	429	210	369	199	221	110	90	12	185	65	50